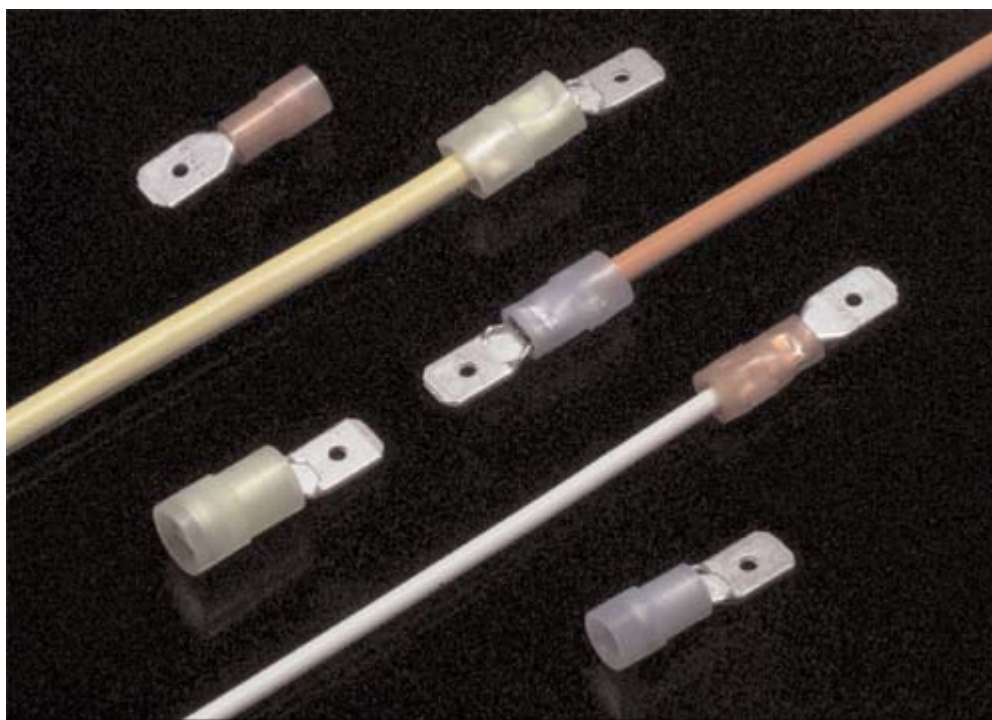


## Product Line Information for Quick Disconnect Tabs, Tab Adapters, Tab Caps and Ultra-Fast Tabs

[Return to Product Details for 696362-1](#)

# PIDG FASTON Tabs



## Product Facts

- .250 x .032 [6.35mm x .81mm] tab
- Product is available to accommodate 22 to 10 AWG wire sizes
- Color-coded insulation sleeve provides visual identification of wire size
- Metal Sleeve: Tin-Plated Copper
- Plastic Insulator: Nylon
- Tab: Tin-Plated Brass
- Operating Voltage: 300V max.
- Meets the requirements of UL 310 and CSA 22.2 No. 153
- Component Recognized by UL File No. E66717 and CSA Certified File No. LR7189

## Description

AMP PIDG FASTON tabs consist of a solid metal tab with plastic insulation on the crimp end. The metal support sleeve under the insulation crimps tightly onto the wire insulation, providing superior performance in high vibration environments.

Individual wire strands of the lead are crimped in the wire barrel of the terminal, providing a superior mechanical and electrical connection. Metal insulation support sleeve provides wire strain relief in high vibration environments.

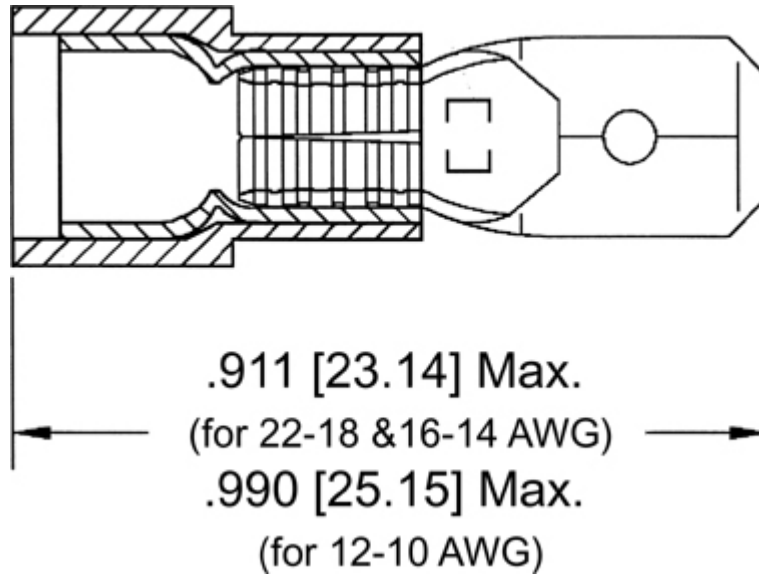
Color-coded insulation protects the crimped connection from shorting adjacent electrical sources and provides visual identification of the wire size.

## Applications

- In-line splicing using FASTON Tab and Ultra-Fast Fully Insulated FASTON Receptacles
- Wiring harnesses
- Control units
- Any equipment needing a tab connector

## Product Dimensions

Dimensions are in inches and millimeters unless otherwise specified. Values in brackets are metric equivalents.



- 
- [Quick Disconnect Tabs, Tab Adapters, Tab Caps and Ultra-Fast Tabs](#)
  - [Terminals and Splices](#)

---

**Languages:** [English](#) | [Deutsch](#) | [Español](#) | [Português \(do Brasil\)](#) | [Русский](#) | [Italiano](#) | [正體中文 \(繁體\)](#) | [中文 \(简体\)](#) | [日本語](#)  
**Country Sites:** [China](#) | [Japan](#)

[Home](#) | [Customer Support](#) | [Supplier](#) | [Site Map](#) | [Privacy Policy](#) | [Browser Support](#)  
© 2007 Tyco Electronics Corporation All Rights Reserved