

P/N W/CAP IN TUBE	P/N W/CAP IN T&R	P/N W/VOIDS IN T&R	P/N W/O CAP IN TUBE	CKT SIZE	DIMENSION				
					A	B	C	D	E
87832-0616	87832-0614	----	87832-0612	6	8.65	6.85	4.00	----	7.00
87832-0816	87832-0814	----	87832-0812	8	10.65	8.85	6.00	----	9.00
87832-1416	87832-1414	87832-1418	87832-1412	14	16.65	14.85	12.00	8.00	15.00
87832-1816	87832-1814	----	87832-1812	18	20.65	18.85	16.00	12.00	19.00
87832-2016	87832-2014	----	87832-2012	20	22.65	20.85	18.00	14.00	21.00
87832-2416	87832-2414	----	87832-2412	24	26.65	24.85	22.00	18.00	25.00
87832-2616	----	----	87832-2612	26	28.65	26.85	24.00	20.00	27.00
87832-3016	87832-3014	----	87832-3012	30	32.65	30.85	28.00	24.00	31.00
87832-3416	87832-3414	----	87832-3412	34	36.65	34.85	32.00	28.00	35.00
87832-4016	----	----	87832-4012	40	42.65	40.85	38.00	34.00	41.00
87832-5016	----	----	87832-5012	50	52.65	50.85	48.00	44.00	51.00
87832-1016	87832-1014	----	87832-1012	10	12.65	10.85	8.00	----	11.00
87832-1616	87832-1614	----	87832-1612	16	18.65	16.85	14.00	10.00	17.00

- NOTES:
- FOR ILLUSTRATION PURPOSES, 20 CIRCUIT SIZE WAFER IS SHOWN.
 - MATERIAL :
HOUSING & CAP : NYLON 46, GLASS FILLED, UL94V-0, COLOR BLACK.
PIN : 0.50MM SQ.PHOSPHOR BRONZE.
 - PLATING:
0.38um/15uin GOLD IN CONTACT AREA AND 1.88um/75uin MIN.TIN IN SOLDER TAIL AREA OVER 1.27um/50uin MIN. NICKEL OVERALL.
 - PIN PUSHOUT FORCE : 0.91 KG MIN. IN EITHER DIRECTION.
 - PRODUCT SPECIFICATION PS-87831-027 APPLIES.
 - COPLANARITY IS TO BE MEASURED BY RESTING THE SOLDER TAIL ON A GAUGE SURFACE.
 - BEND DEPRESSION ON SMT TAIL IS ACCEPTABLE SO LONG AS IT DOES NOT AFFECT THE OVERALL COPLANARITY OF THE TAIL.
 - NO SIDE LOCKING SLOT FROM 6, 8, AND 10 CKT SIZE.
 - CKT 4 & 6 HAS NO IDENTIFICATION TAG.
 - THIS HEADER MATES WITH MOLEX:
 - CRIMP RECEPTACLE HOUSING, 51110 SERIES WITH CRIMP TERMINAL, 50394 SERIES.
 - 2MM MILLIGRID DUAL ROW IDT, 87568 SERIES.
 - PARTS SHALL BE PACKED IN MOISTURE BARRIER BAG WITH DESICCANT GEL.
 - NO CENTRE POLARIZATION SLOT FOR CKT SIZE 6

REF : ORIENTATION OF PART IN TUBE,
(FOR THE REFERENCE OF PART/TUBE ASSEMBLY.)

SHT1:REVISE CAP POS SYM	EC NO: S2015-0191	DRW:NATSEE	CHKD:FANNYWONG	APPR:LBLEE	DESCRIPTION	QUALITY SYMBOLS	GENERAL TOLERANCES (UNLESS SPECIFIED)		DIMENSION STYLE		SCALE	DESIGN UNITS	THIRD ANGLE PROJECTION	
							mm	INCH	MM ONLY	NTS	METRIC	DATE	TITLE	
	2014/08/29		2014/08/29	2014/09/02		$F_s=0$	4 PLACES	± ---	± ---	DRAWN BY	DATE			
						$F_c=0$	3 PLACES	± ---	± ---	ATSEE	2003/10/14			
						$F_p=0$	2 PLACES	± 0.2	± ---	CHECKED BY	DATE			
						$F_a=0$	1 PLACE	± ---	± ---	KCL ING	2003/11/07			
							0 PLACE	±	±	APPROVED BY	DATE			
										SKTOH	2003/11/07			
										MATERIAL NO.		DOCUMENT NO.		SHEET NO.
										ANGULAR ± 3°				
										DRAFT WHERE APPLICABLE MUST REMAIN WITHIN DIMENSIONS				
										SEE TABLE				
										SIZE A3				

MGRID, SHROUDED HEADER
W/CAP, IN TUBE AND T&R
SMT

molex

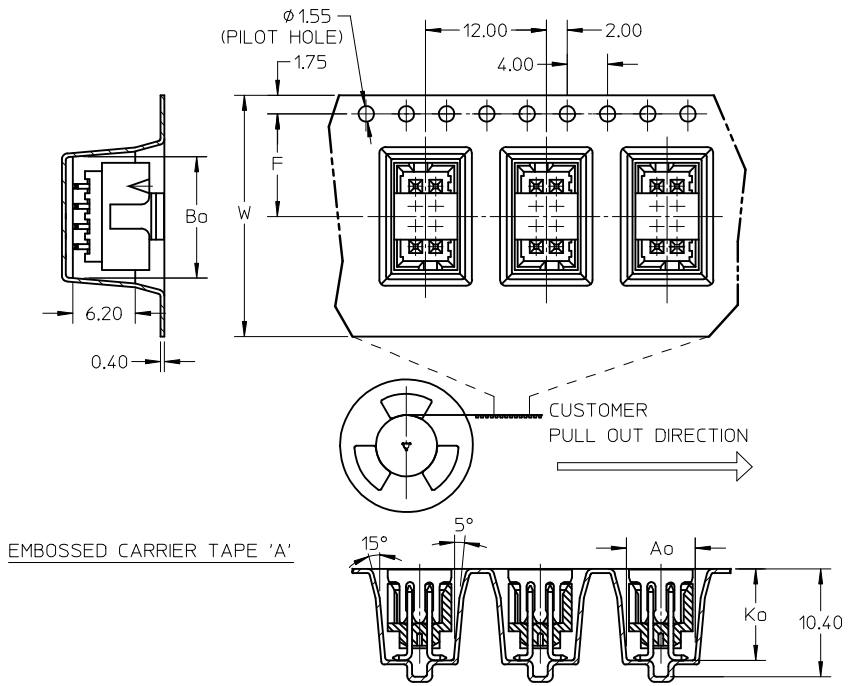
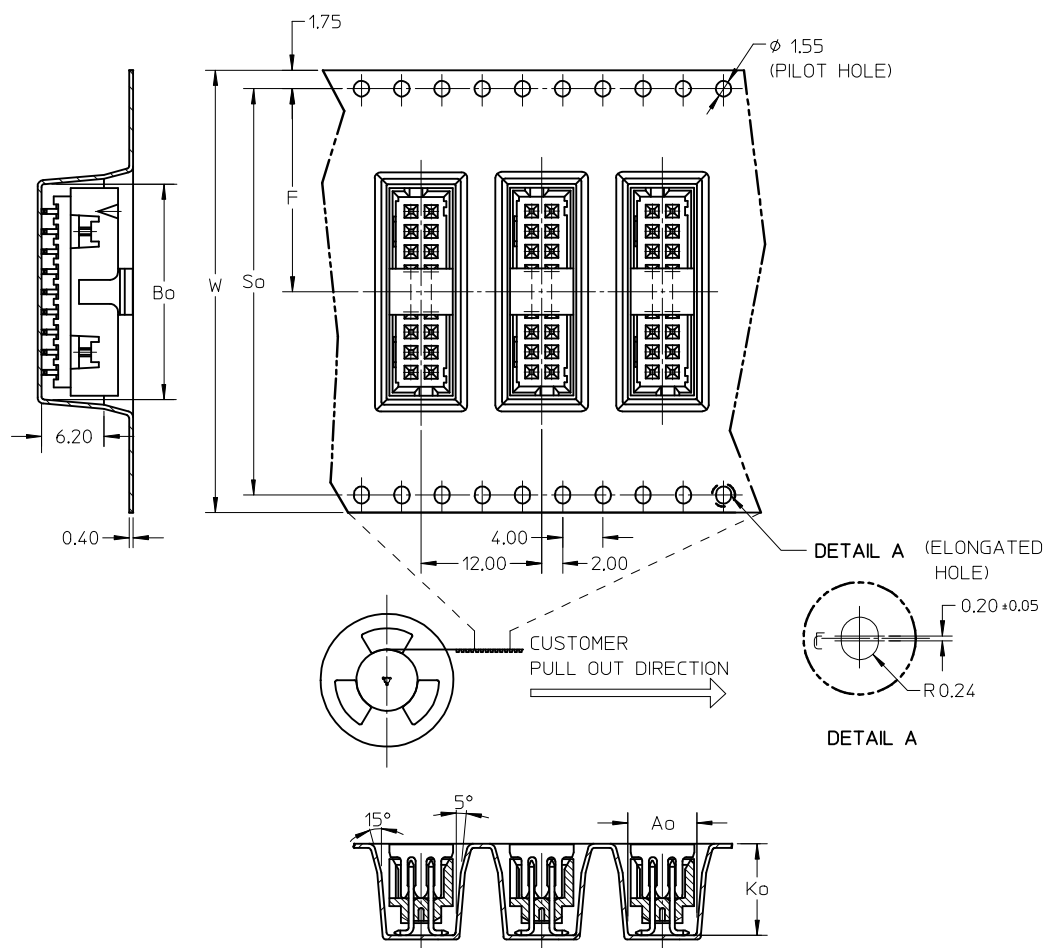
SD-87832-008

1 OF 4

THIS DRAWING CONTAINS INFORMATION THAT IS PROPRIETARY TO MOLEX INCORPORATED AND SHOULD NOT BE USED WITHOUT WRITTEN PERMISSION

P/N	W/CAP IN T&R	CKT SIZE	W	F	Bo	So	Ao	Ko	TYPE	T&R QUANTITY (PCS/REEL)
87832-0614		06	24.00	11.50	9.15	-	6.40	9.30	A	500
87832-0814		08	24.00	11.50	11.05	-	6.40	9.30	A	
87832-1014		10	24.00	11.50	13.05	-	6.40	9.30	A	
87832-1414		14	32.00	14.20	17.05	28.40	6.40	9.30	C	
87832-1614		16	32.00	14.20	19.05	28.40	6.40	9.30	C	
87832-1814		18	44.00	20.20	21.05	40.40	6.40	9.30	B	
87832-2014		20	44.00	20.20	23.05	40.40	6.40	9.30	C	
87832-2414		24	44.00	20.20	27.05	40.40	6.40	9.30	C	
87832-3014		30	44.00	20.20	33.05	40.40	6.40	9.30	B	
87832-3414		34	56.00	26.20	37.05	52.40	6.40	9.30	B	

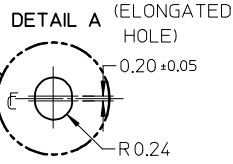
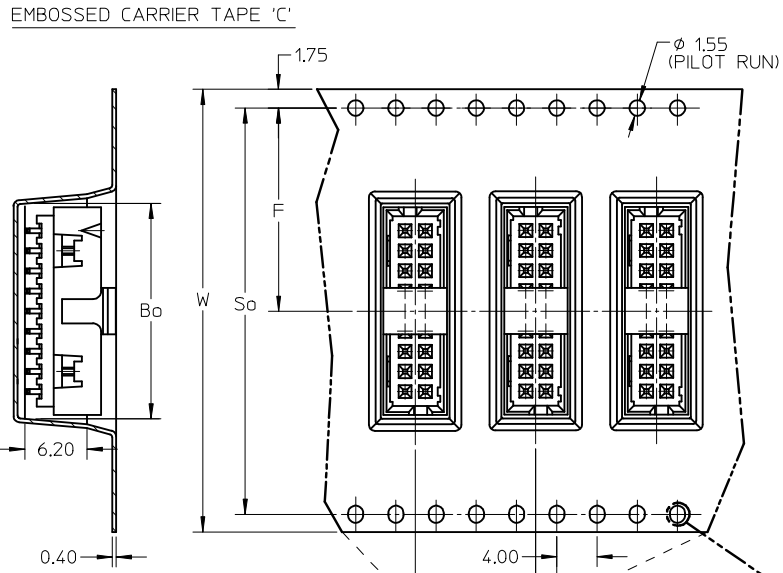
EMBOSSED CARRIER TAPE 'B'



EMBOSSED CARRIER TAPE 'A'

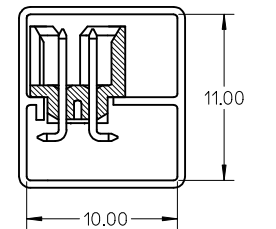
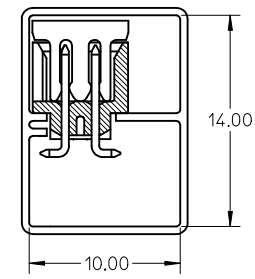
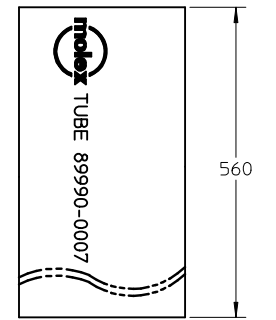
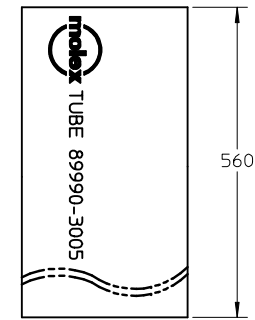
SHT1	REVISE	CAP	POS	SYM	DESCRIPTION	QUALITY SYMBOLS		GENERAL TOLERANCES (UNLESS SPECIFIED)		DIMENSION STYLE		SCALE	DESIGN UNITS	THIRD ANGLE PROJECTION	
						mm	INCH	MM ONLY	NTS	METRIC	DATE	TITLE			
B8						± 0	± 0	4 PLACES	± ---	± ---	DRAWN BY	DATE	MGRID, SHROUDED HEADER W/CAP, IN TUBE AND T&R SMT	molex	SHEET NO. 2 OF 4
						± 0	± 0	3 PLACES	± ---	± ---	CHECKED BY	DATE			
						± 0	± 0	2 PLACES	± 0.2	± ---	KCL ING	DATE			
						± 0	± 0	1 PLACE	± ---	± ---	APPROVED BY	DATE			
						± 0	± 0	0 PLACE	±	±	SKTOH	DATE			
DRAFT WHERE APPLICABLE MUST REMAIN WITHIN DIMENSIONS						ANGULAR ± 3 °		SEE TABLE		MATERIAL NO.		DOCUMENT NO.	SD-87832-008		
THIS DRAWING CONTAINS INFORMATION THAT IS PROPRIETARY TO MOLEX INCORPORATED AND SHOULD NOT BE USED WITHOUT WRITTEN PERMISSION						SIZE		A3							

P/N W/CAP IN TUBE TUBE : 89990-3005	P/N W/O CAP IN TUBE TUBE : 89990-0007
87832-0616	87832-0612
87832-0816	87832-0812
87832-1416	87832-1412
87832-1816	87832-1812
87832-2016	87832-2012
87832-2416	87832-2412
87832-2616	87832-2612
87832-3016	87832-3012
87832-3416	87832-3412
87832-4016	87832-4012
87832-5016	87832-5012
87832-1016	87832-1012
87832-1616	87832-1612



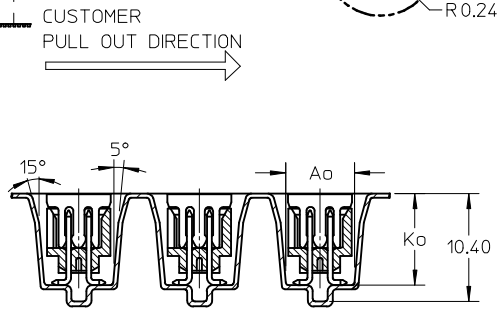
ASSY WITH CAP TUBE

ASSY WITHOUT CAP IN TUBE



NOTES:

- LEADER AND TRAILER TAPE
- PEELING OFF FORCE OF THE TOP TAPE: 20-80gf.
 (PEELING DIRECTION AS SHOWN IN FOLLOWING FIGURE)
- PACKAGING STANDARD IS AS PER EIA-481.
- TAPE AND REEL QUANTITY = SEE TABLE ON SHEET 2
- THE TAPE IS TREATED FOR ANTI-STATIC.



REV	DESCRIPTION	DATE	BY
B8	SHT1/REVISE CAP POS SYM	2014/08/29	ATSEE
	EC NO: S2015-0191	2014/08/29	CHKD:FANNYWONG
	DRWN:ATSEE	2014/08/29	APPR:LBLEE
	CHKD:FANNYWONG	2014/09/02	

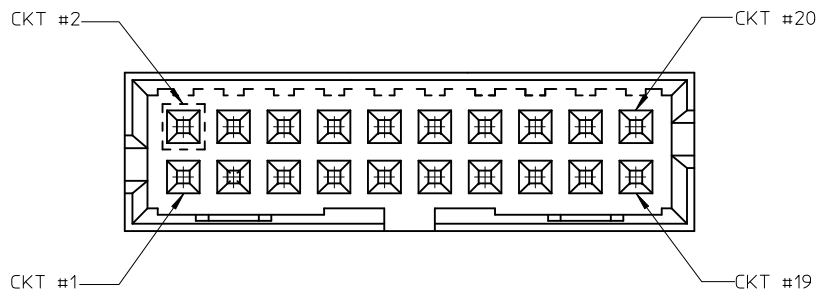
QUALITY SYMBOLS	GENERAL TOLERANCES (UNLESS SPECIFIED)
$F_{\Delta} = 0$	mm INCH
$F_{\square} = 0$	4 PLACES ± --- ± ---
$F_{\circ} = 0$	3 PLACES ± --- ± ---
	2 PLACES ± 0.2 ± ---
	1 PLACE ± --- ± ---
	0 PLACE ± ±
	ANGULAR ± 3°
	DRAFT WHERE APPLICABLE MUST REMAIN WITHIN DIMENSIONS

DIMENSION STYLE		SCALE	DESIGN UNITS	THIRD ANGLE PROJECTION
MM ONLY		NTS	METRIC	THIRD ANGLE PROJECTION
DRAWN BY	DATE	TITLE		
ATSEE	2003/10/14	MGRID, SHROUDED HEADER W/CAP, IN TUBE AND T&R SMT		
CHECKED BY	DATE			
KCL ING	2003/11/07			
APPROVED BY	DATE	DOCUMENT NO.	SHEET NO.	
SKTOH	2003/11/07	SD-87832-008	3 OF 4	
MATERIAL NO.	SEE TABLE			

DRAWN BY		DATE	TITLE
ATSEE		2003/10/14	MGRID, SHROUDED HEADER W/CAP, IN TUBE AND T&R SMT
CHECKED BY		DATE	
KCL ING		2003/11/07	
APPROVED BY		DATE	DOCUMENT NO.
SKTOH		2003/11/07	SD-87832-008
MATERIAL NO.		SEE TABLE	
SIZE		THIS DRAWING CONTAINS INFORMATION THAT IS PROPRIETARY TO MOLEX INCORPORATED AND SHOULD NOT BE USED WITHOUT WRITTEN PERMISSION	
A3			

10 9 8 7 6 5 4 3 2 1

P/N W/VOIDS IN T&R	VOID CKT	CKT SIZE	DIMENSIONS				
			A	B	C	D	E
----		6	8.65	6.85	4.00	---	7.00
----		8	10.65	8.85	6.00	---	9.00
----		10	12.65	10.85	8.00	---	11.00
87832-1418	2	14	16.65	14.85	12.00	8.00	15.00
----		16	18.65	16.85	14.00	10.00	17.00
----		18	20.65	18.85	16.00	12.00	19.00
----		20	22.65	20.85	18.00	14.00	21.00
----		24	26.65	24.85	22.00	18.00	25.00
----		26	28.65	26.85	24.00	20.00	27.00
----		30	32.65	30.85	28.00	24.00	31.00
----		34	36.65	34.85	32.00	28.00	35.00
----		40	42.65	40.85	38.00	34.00	41.00
----		50	52.65	50.85	48.00	44.00	51.00



FOR ILLUSTRATION, 20CKT WAFER, WITH VOID #2, AS SHOWN.

SHT1:REVISE CAP POS SYM EC NO: S2015-0191 DRWN:ATSEE CHKD:FANNYWONG APPR:LBLEE 2014/08/29 2014/08/29 2014/09/02	QUALITY SYMBOLS $\nabla_A = 0$ $\nabla_B = 0$ $\nabla_C = 0$	GENERAL TOLERANCES (UNLESS SPECIFIED)		DIMENSION STYLE	SCALE	DESIGN UNITS	THIRD ANGLE PROJECTION	
				MM ONLY	NTS	METRIC		
				mm	INCH	DRAWN BY	DATE	TITLE
		4 PLACES	\pm ---	\pm ---	ATSEE	2003/10/14	MGRID, SHROUDED HEADER W/CAP, IN TUBE AND T&R SMT	
		3 PLACES	\pm ---	\pm ---	CHECKED BY	DATE	molex SD-87832-008 4 OF 4	
2 PLACES	\pm 0.2	\pm ---	KCL ING	2003/11/07				
1 PLACE	\pm ---	\pm ---	APPROVED BY	DATE				
0 PLACE	\pm	\pm	SKTOH	2003/11/07	MATERIAL NO.	DOCUMENT NO.	SHEET NO.	
		ANGULAR \pm 3°		SEE TABLE				
		DRAFT WHERE APPLICABLE MUST REMAIN WITHIN DIMENSIONS		THIS DRAWING CONTAINS INFORMATION THAT IS PROPRIETARY TO MOLEX INCORPORATED AND SHOULD NOT BE USED WITHOUT WRITTEN PERMISSION				

9 8 7 6 5 4 3 2 1