

**PLEASE CHECK WWW.MOLEX.COM FOR LATEST PART INFORMATION**

**Part Number:** [35180-0400](#)  
**Status:** **Active**  
**Description:** 1.78mm Tab Multiple Wire-to-Wire Male Housing with Ear, 4 Circuits, Vertical, Polyester UL94V-0, Natural

**Documents:**

[3D Model](#) [Packaging Specification PK-35180-001 \(PDF\)](#)  
[Drawing \(PDF\)](#) [RoHS Certificate of Compliance \(PDF\)](#)  
[Product Specification PS-35180-002 \(PDF\)](#)

**Agency Certification**

CSA LR19980  
 UL E29179

**General**

Product Family Crimp Housings  
 Series [35180](#)  
 Application Power, Wire-to-Wire  
 Comments Polarized to Mating Part  
 Product Name N/A  
 UPC 800754249805

**Physical**

Breakaway No  
 Circuits (maximum) 4  
 Color - Resin Natural  
 Flammability 94V-0  
 Gender Male  
 Glow-Wire Compliant No  
 Keying to Mating Part None  
 Lock to Mating Part Yes  
 Material - Resin Polyester  
 Net Weight 5.866g  
 Number of Rows 2  
 Packaging Type Bag  
 Panel Mount Yes  
 Pitch - Mating Interface 8.00mm, 8.70mm  
 Stackable No  
 Temperature Range - Operating -40°C to +120°C

**Material Info**

**Reference - Drawing Numbers**

Packaging Specification PK-35180-001  
 Product Specification PS-35180-002  
 Sales Drawing SD-35180-040\*

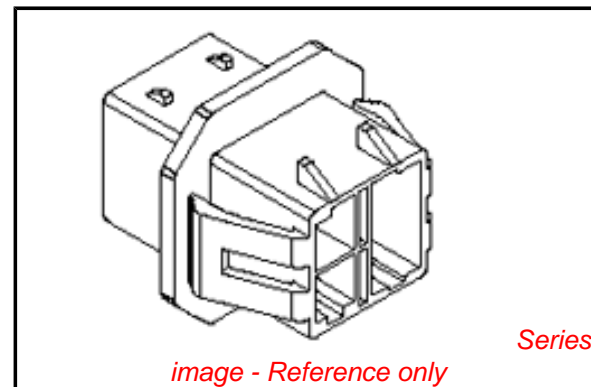


image - Reference only

**EU RoHS**

**ELV and RoHS Compliant**  
**REACH SVHC Contains SVHC: No**  
**Low-Halogen Status Not Low-Halogen**

**China RoHS**



**Need more information on product environmental compliance?**

Email [productcompliance@molex.com](mailto:productcompliance@molex.com)  
 For a multiple part number RoHS Certificate of Compliance, [click here](#)

Please visit the [Contact Us](#) section for any non-product compliance questions.

**Search Parts in this Series**

[35180Series](#)

**Mates With**

[35181](#) Wire-to-Wire Female Housing

**Use With**

[35745](#) Crimp Terminal, [35746](#) Crimp Terminal, [35747](#) Crimp Terminal, [35748](#) Crimp Terminal