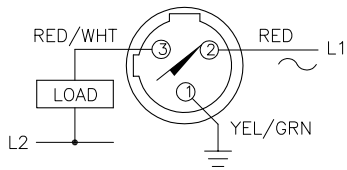
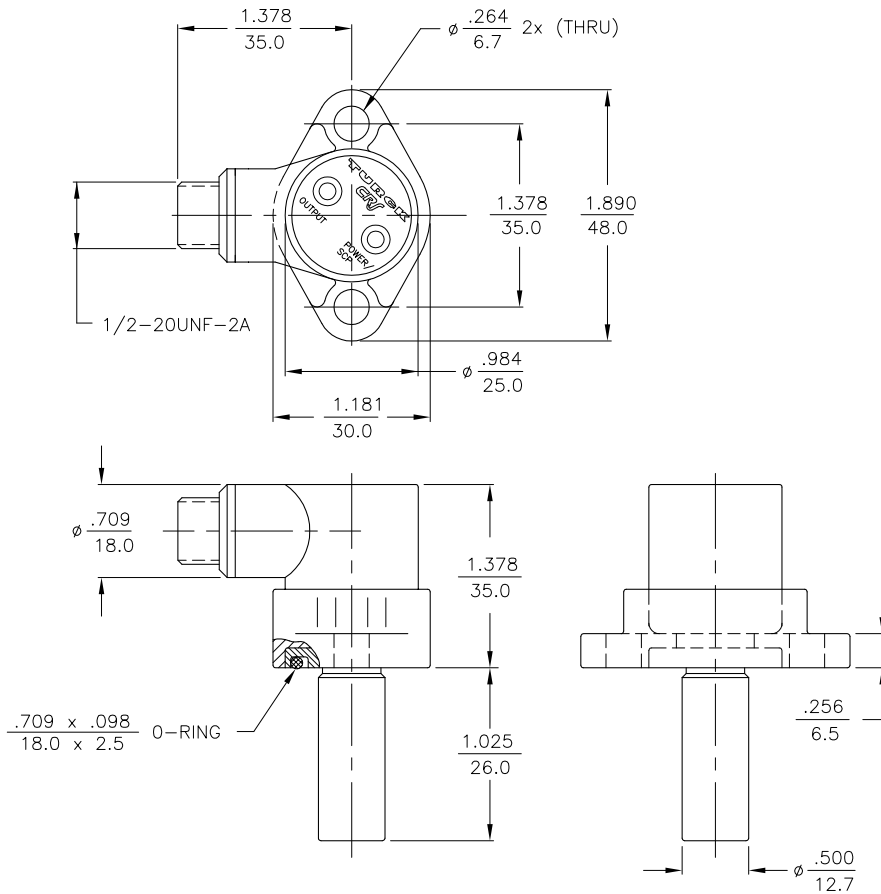


WIRING DIAGRAM

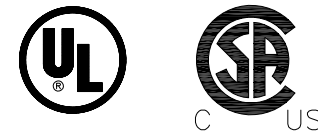


SHORT-CIRCUIT AND OVERLOAD PROTECTED



SPECIFICATIONS

OPERATING VOLTAGE	20-250 VAC/DC
LINE FREQUENCY	40-60 Hz
HYSTERESIS (DIFFERENTIAL TRAVEL)	3-15% (5% TYPICAL)
VOLTAGE DROP ACROSS CONDUCTING SENSOR	≤ 6.0 V at 400 mA
OUTPUT FUNCTION	NORMALLY OPEN 2-WIRE AC/DC SELF-CONTAINED
SHORT-CIRCUIT PROTECTED	YES
TRIGGER CURRENT FOR OVERLOAD PROTECTION	≥ 500 mA
CONTINUOUS LOAD CURRENT	≤ 400 mA
LEAKAGE (OFF-STATE) CURRENT	≤ 1.7 mA
MINIMUM LOAD CURRENT	≥ 3.0 mA
INRUSH CURRENT	≤ 2.4 A (≤ 10 ms/5Hz)
POWER-ON EFFECT PROTECTION	INCORPORATED
PROTECTION AGAINST TRANSIENTS	<20 kV <1 ms <0.5 J
OPERATING TEMPERATURE	-25°C to +70°C (-13°F to +158°F)
ENCLOSURE	MEETS NEMA 1, 3, 4, 6, 13 AND IEC IP67
SHOCK	30 g, 11 ms
VIBRATION	55 Hz, 1 mm AMPLITUDE (IN ALL 3 PLANES)
LED FUNCTION	GREEN: POWER ON GREEN FLASHING: SHORT-CIRCUIT OR OVERLOAD PROTECTION RED: OUTPUT ENERGIZED
SENSING RANGE	2 mm = .079" (NOMINAL)
SWITCHING FREQUENCY	30 Hz
REPEATABILITY	_____
OPERATING PRESSURE	1500 PSI (MAX. APPLIED 3000 PSI)
SHIELDED	YES
RESPONSE TIME	15 ms MAX.
COLOR CODE	BLUE
AGENCY COMPLIANCES	E96R1 UL: E118717(N) 11/15/88 CSA: LR 57940 4/16/92



NOTES:

- 1 "/S34" DESIGNATES WELD FIELD IMMUNITY. SENSOR IS SUITABLE FOR USE ON RESISTANCE WELDING MACHINES.
2. ROTATION CAPABILITY OF THE CRS SWITCH IS 360°.

RELATED DOCUMENTS 1. 2. 3. 4.	3RD ANGLE PROJECTION 	THIS DRAWING IS PROPERTY OF TURCK INC. USE OF THIS DOCUMENT WITHOUT WRITTEN PERMISSION IS PROHIBITED.		3000 CAMPUS DRIVE MINNEAPOLIS, MN 55441 1-800-544-7769 (763) 553-7300 (763) 553-0708 fax turck.com	
	MATERIAL	DRFT SMW	DATE 12/10/86	DESCRIPTION BI 2-CRS260-ADZ30X2-B3131 /S34 UL	
FINISH BLACK ZINC	ALL DIMENSIONS DISPLAYED ON THIS DRAWING ARE FOR REFERENCE ONLY	DSGN	SCALE NONE	IDENTIFICATION NO. T4275493	
		UNIT OF MEASUREMENT <b>INCH [ MILLIMETER ]</b>		REV U	
DO NOT SCALE THIS DRAWING		FILE: T4275493		SHEET 1 OF 1	

U	UPDATE TO CURRENT TITLE BLOCK	RDS	01/21/03	10154
REV	DESCRIPTION	BY	DATE	ECO NO.