

**Ordering number CP11630_LISA-RS**

Family	Lisa	FWHM	16 degrees
Type	Assembly	Efficiency	93 %
LED	LUXEON Rebel	cd/lm	-
Color	White	Gerber File	Available
Diameter	10.8 mm		
Height	7.1 mm		
Style	Round		
Optic Material	PMMA		
Holder Material	PC		
Fastening	Glue		
Status	Ready		

Ordering number CP10544_LISA-SS

Family	Lisa	FWHM	22 degrees
Type	Assembly	Efficiency	94 %
LED	LUXEON Rebel	cd/lm	4.630
Color	White	Gerber File	Available
Diameter	10.8 mm		
Height	7.1 mm		
Style	Round		
Optic Material	PMMA		
Holder Material	PC		
Fastening	Glue		
Status	Ready		

NOTE: The typical divergence will be changed by different color, chip size and chip position tolerance. The typical total divergence is the full angle measured where the luminous intensity is half of the peak value.



PRODUCT DATASHEET

Lisa series

last update 14/6/2012

PHILIPS
LUMILEDS

GENERAL INFORMATION

- Product series especially designed & optimized for LUXEON Rebel series of LEDs.
- Special care taken to make light distribution as uniform as possible.
- Lens material optical grade PMMA with high UV and temperature resistance. Allows use of high current and temperature conditions.

Please find more information about used material from below:

http://ledil.fi/sites/default/files/Documents/Technical/Material/PMMA%20N%20UL94_Yellow%20Card.pdf

<http://ledil.fi/sites/default/files/Documents/Technical/Material/PMMA%20N%20PLEXIGLAS-Datasheet.pdf>

- Optic holder molded by high quality PC material (120 degrees of Celcius / 248 degrees of Fahrenheit).

- Fastening to PCB with appropriate adhesive. By clicking link below you can find Ledil recommended glue options.

http://www.ledil.com/datasheets/DataSheet_GLUES.pdf

NOTE 1: We advise customer to ensure the suitability and sufficiency of the bond in the end product. For example, mechanical stress, vibration and holes on the surface of the circuit board weaken the strength of the glue.

NOTE 2: All surfaces where glue is applied must be clean, dry and free from grease and dirt. If cleaning of PCB surfaces is needed, please follow strictly the cleaning instructions of your LED manufacturer -this is important as cleaning shall under no circumstances damage LEDs or other electronics components on the PCB.

Further note that optical components shall not be cleaned with any chemicals - only micro fiber cloth may be used to remove fingerprints or other traces from handling.

D

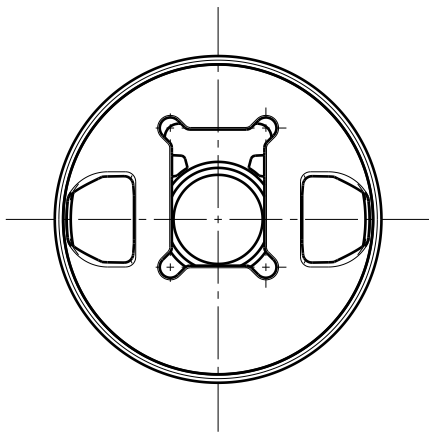
C

B

A

4

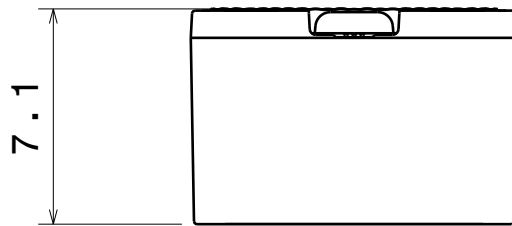
4



Bottom view

3

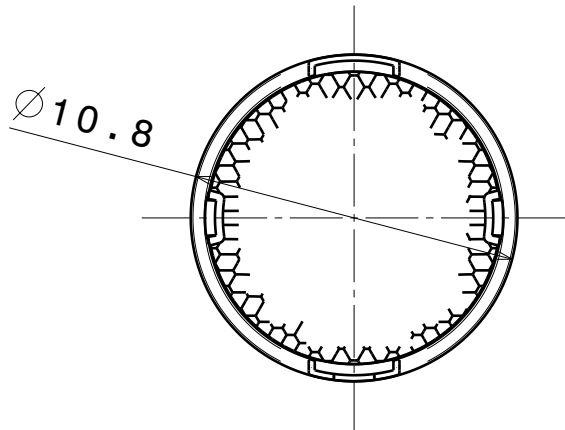
3



Front view

2

2



Top view

Materials:
 Lens PMMA
 Holder PC

This drawing is our property.
 It can't be reproduced
 or communicated without
 our written agreement.



L
T
F
F

e
e
i
i
N
n

d
h

DRAWING TITLE

Datasheet Lisa-R1 series assy

DRAWN BY

DATE

p

24.10.2008

CHECKED BY

DATE

h

h

24.07.2008

DESIGNED BY

DATE

pV

23.07.2008

SIZE

A4

DRAWING NUMBER

REV

0.1

SCALE

4:1

WEIGHT (g)

SHEET

1/1

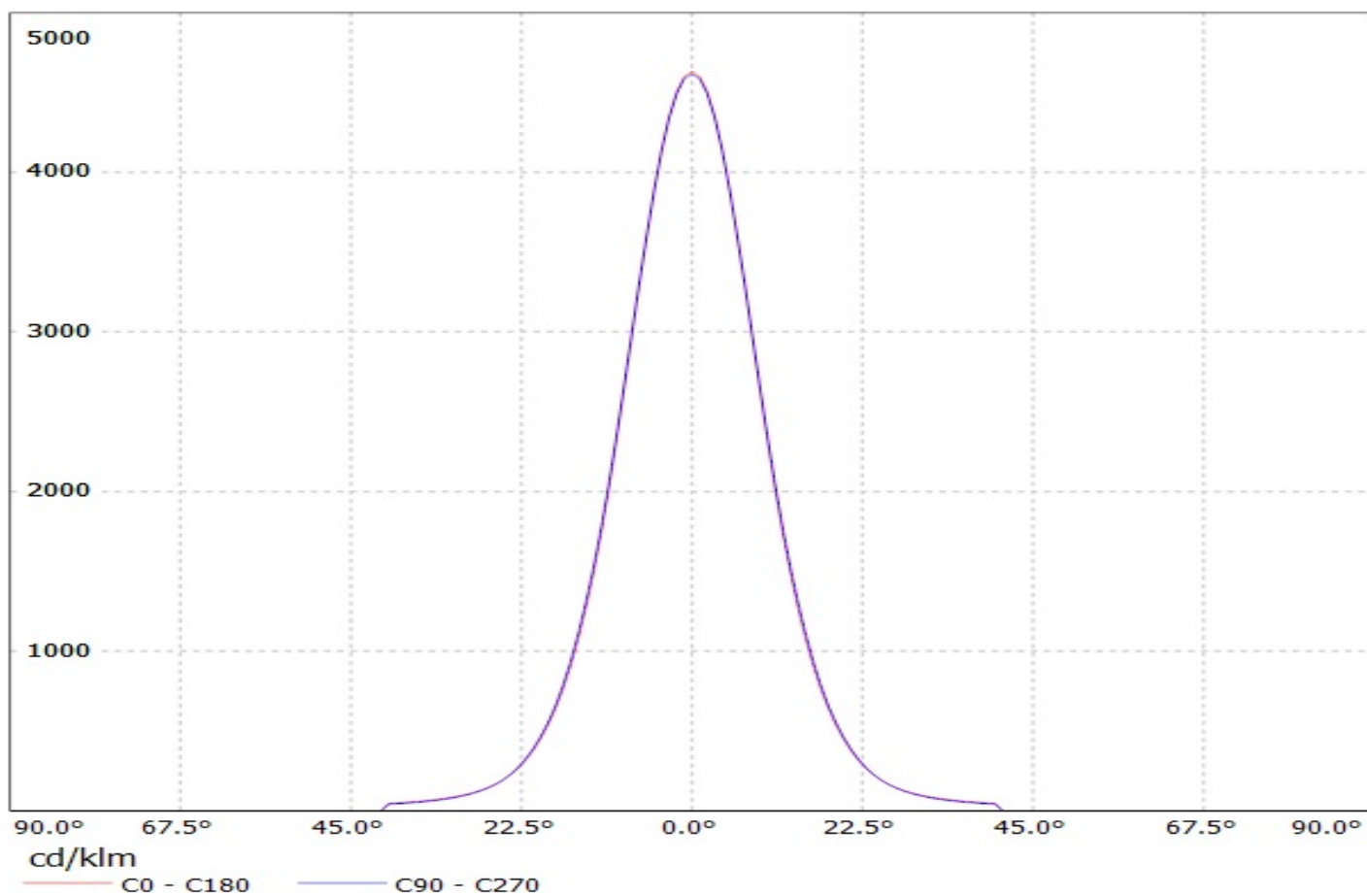
D

A

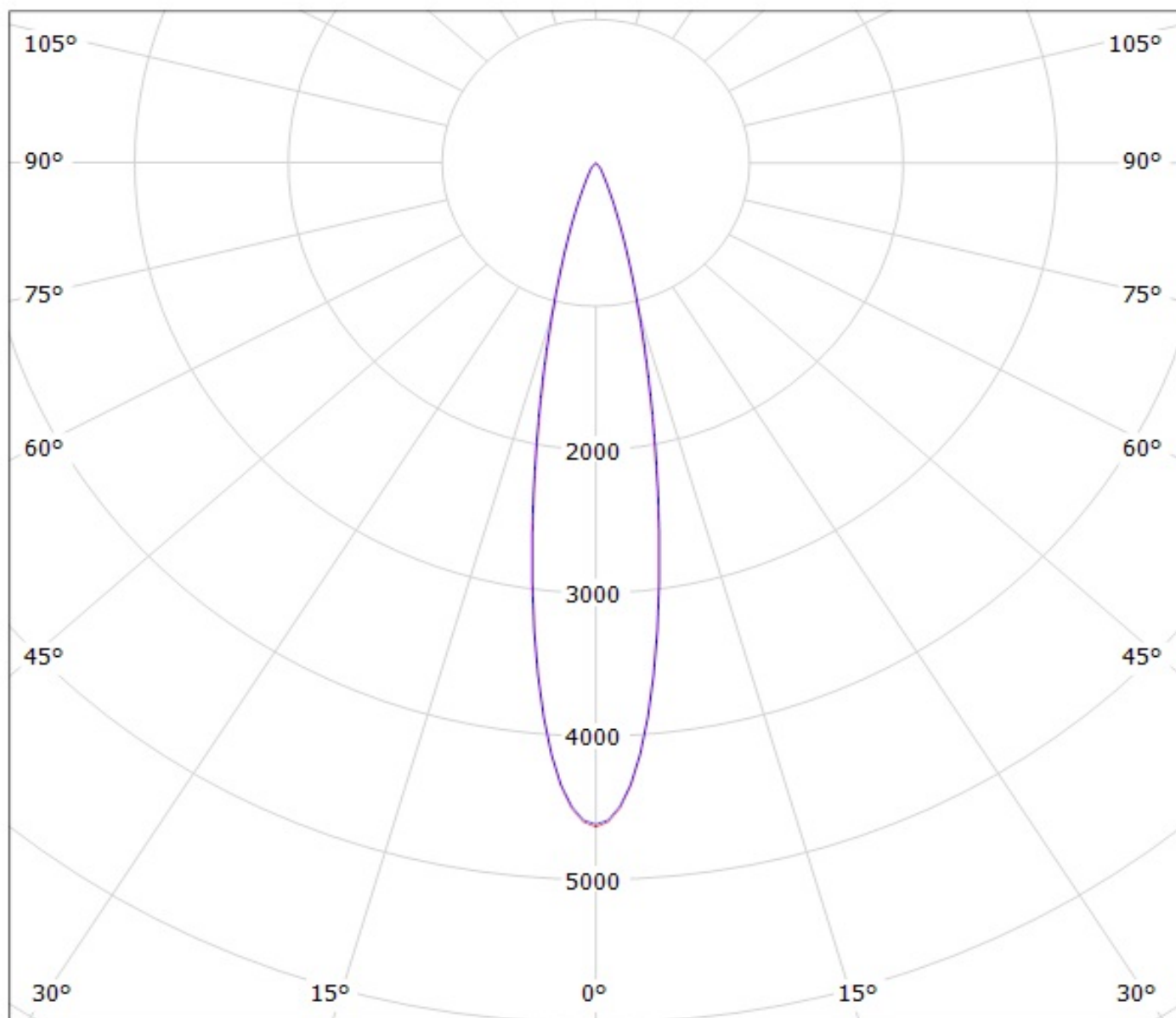
1

1

Luminaire: Ledil Oy CP10544_LISA-SS-RE CP10544_LISA-SS-RE
Lamps: 1 x LUXEON REBEL



Luminaire: Ledil Oy CP10544_LISA-SS-RE CP10544_LISA-SS-RE
Lamps: 1 x LUXEON REBEL



cd/klm

— C0 - C180

— C90 - C270