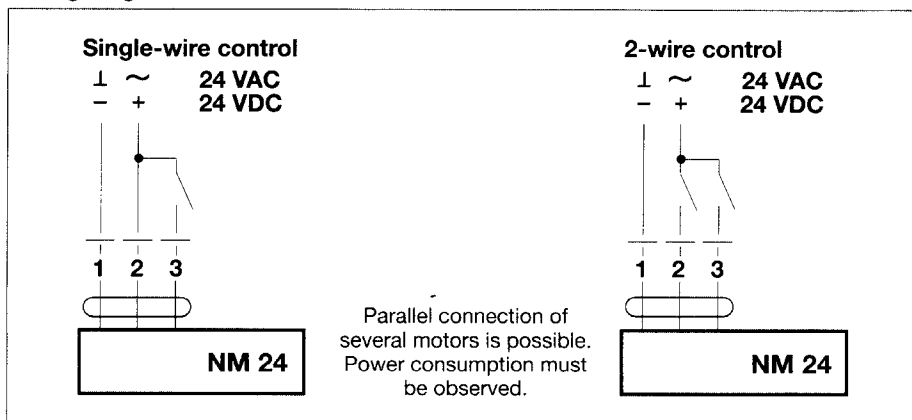


Dampers up to approx. 1.5 m²
Open/Close motor (24 VAC/DC)
Single-wire or 2-wirecontrol

Wiring diagram



Improved functional safety

The damper motor has no limit switches and is overload-proof. It stops automatically when it reaches the damper or motor end-stop.

Easy functional check

A functional check of damper operation is simplicity itself: the gearing can be disengaged by simply pressing a pushbutton on top of the case. While the pushbutton remains depressed, the damper can be operated by hand.

Simple installation

The damper motor is fitted with a universal spindle clamp for quick and easy mounting directly on the damper spindle. The motor is supplied with an anti-rotation strap for fixing it in position.

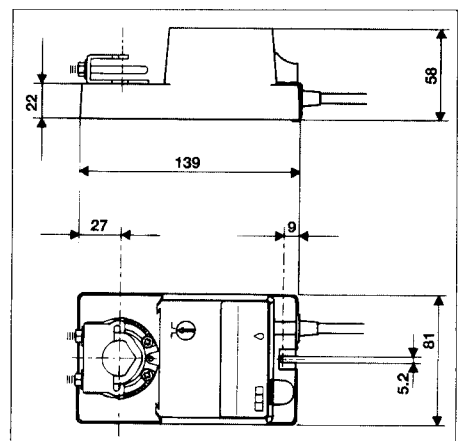
Electrical accessories

SN 1, SN 2 Auxiliary switches

Important

Read the notes about the use and torque requirements of the damper motors on page 1 in the documentation 2.

Dimensions



Technical data	NM 24
Power supply	24 VAC ± 20% 50/60 Hz 24 VAC ± 20%
Power consumption For wire sizing	2 W 3.5 VA
Protection class	III (safety low voltage)
Degree of protection	▲ drip-proof (IP 42)
Connecting cable	1 m long, 3 × 0.75 mm ²
Angle of rotation	max. 95°, adjustable by mechanical stops
Torque	min. 8 Nm at rated voltage
Running time	75...150 s (0...8 Nm)
Direction of rotation	selected with L/R switch
Position indication	mechanical
Ambient temp. range	-20...+50 °C
Non-operating temp.	-40...+80 °C
Ambient humidity	Class D to DIN 40040
EMC emitted interference	to EN 50081-1
Sound power level	max. 35 dB (A)
Maintenance	maintenance-free
Weight	800 g

