


D-SUB coupling - VS-09-KU-BU/BU - 1689637

Please be informed that the data shown in this PDF Document is generated from our Online Catalog. Please find the complete data in the user's documentation. Our General Terms of Use for Downloads are valid (<http://download.phoenixcontact.com>)

D-SUB coupling, shell size 1, socket, gender changer, shielded, connection direction straight, IP67 degree of protection



Key commercial data

| | |
|--------------------------------------|---|
| Packing unit | 5 pc |
| GTIN |  4 017918 910068 |
| Weight per Piece (excluding packing) | 23.29 g |
| Custom tariff number | 85366990 |
| Country of origin | Germany |

Technical data

Mechanical characteristics

| | |
|-----------------------------|----------|
| Number of positions | 9 |
| Insertion/withdrawal cycles | ≥ 200 |
| Cable exit | Straight |
| Color | gray |

Ambient conditions

| | |
|---------------------------------|------------------|
| Ambient temperature (operation) | -40 °C ... 80 °C |
| Degree of protection | IP67 |

Material data

| | |
|---|------------------------------|
| Inflammability class according to UL 94 | V0 |
| Housing material | PA |
| Contact carrier material | Polyester GF |
| Contact material | Copper alloy |
| Contact surface material | Hard gold-plated over nickel |
| Sealing material | EPDM |
| Seal material | EPDM |

D-SUB coupling - VS-09-KU-BU/BU - 1689637

Technical data

Electrical characteristics

| | |
|-----------------------|-------|
| Rated voltage (III/3) | 125 V |
| Rated current | 5 A |

Classifications

eCl@ss

| | |
|------------|----------|
| eCl@ss 4.0 | 27140816 |
| eCl@ss 4.1 | 27260701 |
| eCl@ss 5.0 | 27260701 |
| eCl@ss 5.1 | 27260701 |
| eCl@ss 6.0 | 27261203 |
| eCl@ss 7.0 | 27440202 |
| eCl@ss 8.0 | 27440202 |

ETIM

| | |
|----------|----------|
| ETIM 2.0 | EC000437 |
| ETIM 3.0 | EC000437 |
| ETIM 4.0 | EC000437 |
| ETIM 5.0 | EC000437 |

UNSPSC

| | |
|---------------|----------|
| UNSPSC 6.01 | 31261501 |
| UNSPSC 7.0901 | 31261501 |
| UNSPSC 11 | 31261501 |
| UNSPSC 12.01 | 31261501 |
| UNSPSC 13.2 | 31261501 |

Accessories

Accessories

Protective cover

D-SUB protective cover - VS-09-SD - 1887086

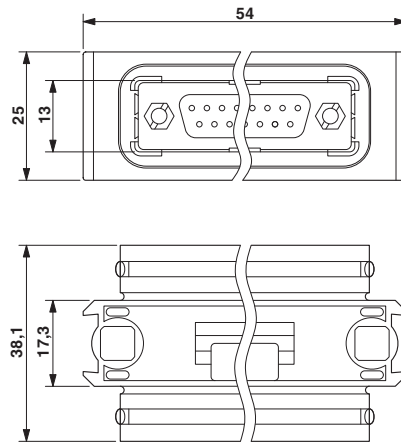
D-SUB protective cover, shell size 1, IP54 degree of protection, for panel mounting frame and sleeve housing VS-09-...



Drawings

D-SUB coupling - VS-09-KU-BU/BU - 1689637

Dimensioned drawing



D-SUB coupling