

## Datasheet

### **RS Lighting Controller Detector, PIR/Daylight, Ceiling Mount, 220 → 240 V ac, 28mm Diameter** Stock Number: 700-9271



This series of miniature PIR (passive infrared) presence detectors provide automatic control of lighting loads with optional manual control. Three models are available: premium, direct dim, and analogue dim all of which will switch incandescent, fluorescent and compact fluorescent lighting. The direct dim variant controls DALI or DSI digital dimming ballasts whilst the analogue dim variant controls 1-10V dimming ballasts. The unit detects movement using a PIR sensor and turns the load on. When an area is no longer occupied the load will switch off after an adjustable time out period. These units come complete with clips allowing unobtrusive flush mounting into ceiling tiles or solid ceilings. All functionality is fully programmable using an IR handset.

**PIR Sensor**

Detects movement within the unit's detection range, allowing load control in response to changes in occupancy.

**IR Receiver**

Receives control and programming commands from an IR (infrared) handset.

**Light Level Sensor**

Measures the overall light level in the detection area

**Status LEDs**

The LED flashes Red to indicate the following:

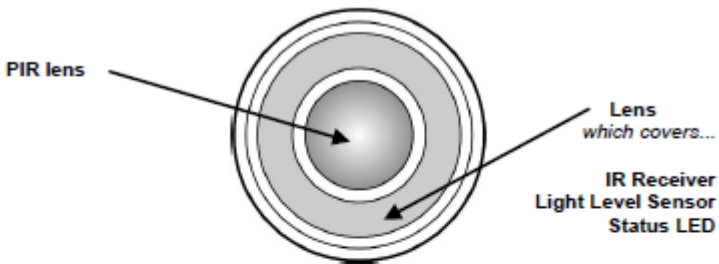
**RJ11 connector**

The sensor head has a flying lead with a RJ11 plug at the end plugs into the RJ11 socket on the power supply.

**Power supply**

This power supply has a 6A relay. It also has connections for an external switch that can be used to turn on the load when absence detection mode has been set or raised / lowered with dimming variants.

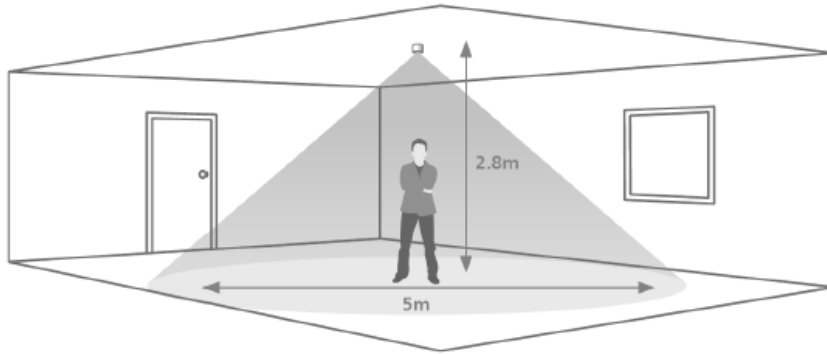
Sensor head



Standard power supply



Dimming version shown



Area of high sensitivity  Area of lower sensitivity 

### Detection mode

☑ **Presence** When movement is detected the load will automatically turn on. When the area is no longer occupied the load will automatically switch off after an adjustable time period.

☑ **Absence** The load is manually switched on. When the area is no longer occupied the load will automatically switch off after the adjustable time period has elapsed.

The sensitivity to movement of the PIR sensor can be adjusted using the Sensitivity parameter.

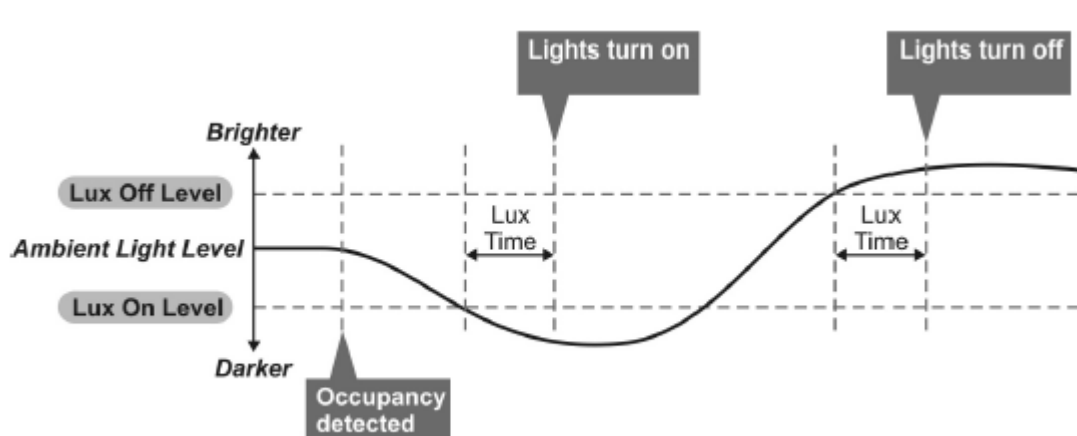
*HINT: To assist in setting the Sensitivity, turn on the Walk Test LED which will flash red when movement is detected.*

### Switch Level On/Off

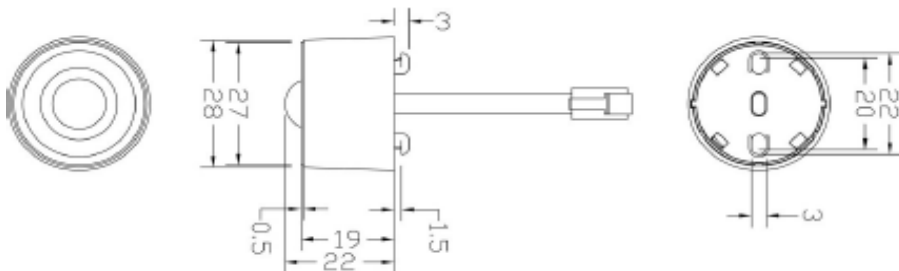
Occupancy detection can be made dependant on the ambient light level using the Lux On Level and Lux Off Level parameters.

### Maintained Illuminance (daylight harvesting)

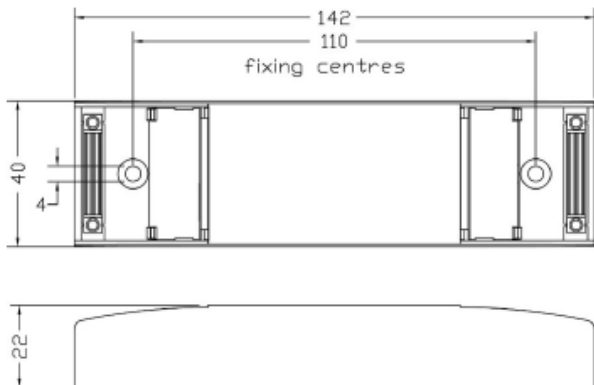
The detector measures the overall light level in the detection area and calculates the correct output for the luminaires, to achieve a present lux level (maintained illuminance or daylight harvesting).



**Sensor head**

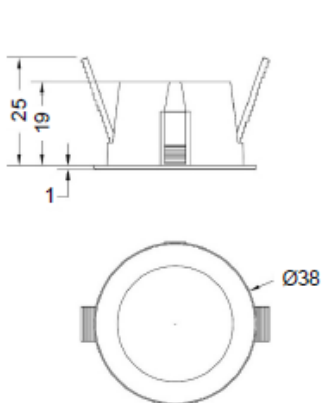


**Power supplies**



**Brackets**

**Flush ring**



**Head end cap**

