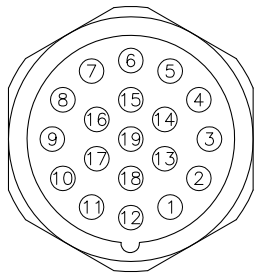
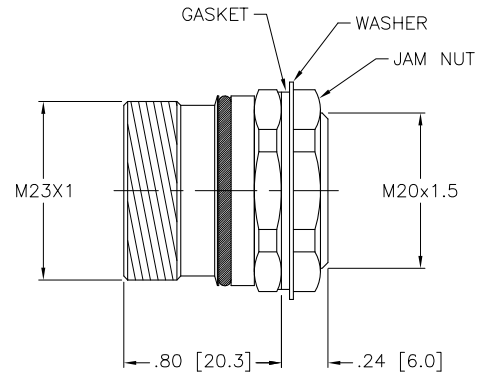
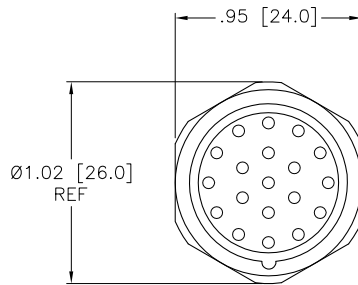


FEMALE END VIEW



SPECIFICATIONS

CONTACT CARRIER MATERIAL	NYLON or PBT
CONTACT MATERIAL/PLATING	GOLD-PLATED BRASS
CONNECTOR HOUSING MATERIAL/PLATING	NICKEL-PLATED BRASS
GASKET	RUBBER (NBR or FPM)
RATED CURRENT [A]	8.0 A (16) + 10.0 A (3)
RATED VOLTAGE [V]	150 V
MAXIMUM CONDUCTOR SIZE (AWG)	16x22 AWG + 3x18 AWG
TERMINATION METHOD	SOLDER LUG
PROTECTION CLASS	MEETS NEMA 1,3,4,6 AND IEC IP67
TEMPERATURE	-40°C TO +125°C



RELATED DOCUMENTS 1. 2. 3. 4.	3RD ANGLE PROJECTION 	THIS DRAWING IS PROPERTY OF TURCK INC. USE OF THIS DOCUMENT WITHOUT WRITTEN PERMISSION IS PROHIBITED.		3000 CAMPUS DRIVE MINNEAPOLIS, MN 55441 1-800-544-7769 (763) 553-7300 (763) 553-0708 fax turck.com	
	MATERIAL	ALL DIMENSIONS DISPLAYED ON THIS DRAWING ARE FOR REFERENCE ONLY	DRFT CBM	DATE 03/10/99	DESCRIPTION CKF 19-0
			DSGN	SCALE 1=1.0	
	FINISH	CONTACT TURCK FOR MORE INFORMATION	UNIT OF MEASUREMENT <b>INCH [ MILLIMETER ]</b>		IDENTIFICATION NO. U4662
DO NOT SCALE THIS DRAWING		FILE: U4662		SHEET 1 OF 1	

B	SEE ECO T2801	IK	3/29/99	T2801
REV	DESCRIPTION	BY	DATE	ECO NO.