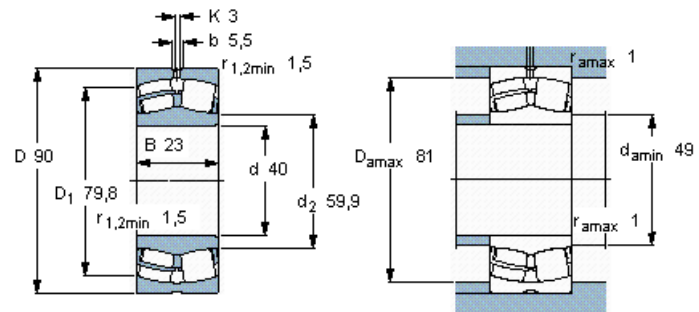


# Spherical roller bearings, cylindrical and tapered bore



Principal dimensions			Basic load ratings		Fatigue load limit $P_u$	Speed ratings		Mass	Designation
d	D	B	dynamic	static		Reference speed	Limiting speed		
mm			kN		kN	r/min		kg	-
40	90	23	104	108	11,8	7000	9500	0,75	21308 E *



### Calculation factors

e 0,24  
 $Y_1$  2,8  
 $Y_2$  4,2  
 $Y_0$  2,8