


Ordering number CA12426_TINA3-W

Family	Tina3	FWHM	41 degrees
Type	Assembly	Efficiency	88 %
LED	Oslon Square EC	cd/lm	1.700
Color	White	Gerber File	Available
Diameter	16.1 mm		
Height	6.9 mm		
Style	Round		
Optic Material	PMMA		
Holder Material	PC		
Fastening	Pin, tape		
Status	Ready		


Ordering number CA12429_TINA3-OO

Family	Tina3	FWHM	55+39 degrees
Type	Assembly	Efficiency	88 %
LED	Oslon Square EC	cd/lm	1.100
Color	White	Gerber File	Available
Diameter	16.1 mm		
Height	6.9 mm		
Style	Round		
Optic Material	PMMA		
Holder Material	PC		
Fastening	Pin, tape		
Status	Ready		


Ordering number CA12427_TINA3-WW

Family	Tina3	FWHM	58 degrees
Type	Assembly	Efficiency	87 %
LED	Oslon Square EC	cd/lm	0.900
Color	White	Gerber File	Available
Diameter	16.1 mm		
Height	6.9 mm		
Style	Round		
Optic Material	PMMA		
Holder Material	PC		
Fastening	Pin, tape		
Status	Ready		


Ordering number FA11870_TINA3-OO

Family	Tina3	FWHM	62+50 degrees
Type	Assembly	Efficiency	87 %
LED	Oslon Square EC	cd/lm	0.840
Color	White	Gerber File	Available
Diameter	16.3 mm		
Height	6.9 mm		
Style	Round		
Optic Material	PMMA		
Holder Material	PC		
Fastening	Pin, tape		
Status	Ready		

**Ordering number CA12428_TINA3-WWW**

Family	Tina3	FWHM	75 degrees
Type	Assembly	Efficiency	84 %
LED	Oslon Square EC	cd/lm	0.600
Color	White	Gerber File	Available
Diameter	16.1 mm		
Height	6.9 mm		
Style	Round		
Optic Material	PMMA		
Holder Material	PC		
Fastening	Pin, tape		
Status	Ready		

NOTE: The typical divergence will be changed by different color, chip size and chip position tolerance. The typical total divergence is the full angle measured where the luminous intensity is half of the peak value.

GENERAL INFORMATION

- Product series especially designed & optimized for Oslon Square EC series of LEDs.
- Special care taken to make light distribution as uniform as possible.
- Lens material optical grade PMMA with high UV and temperature resistance. Allows use of high current and temperature conditions.

Please find more information about used material from below:

http://ledil.fi/sites/default/files/Documents/Technical/Material/PMMA%20N%20UL94_Yellow%20Card.pdf

<http://ledil.fi/sites/default/files/Documents/Technical/Material/PMMA%20N%20PLEXIGLAS-Datasheet.pdf>

- Optic holder molded by high quality PC material (120 degrees of Celcius / 248 degrees of Fahrenheit).

D

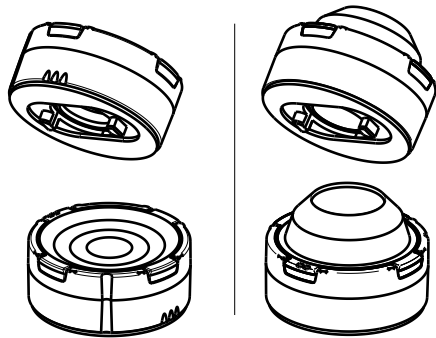
C

B

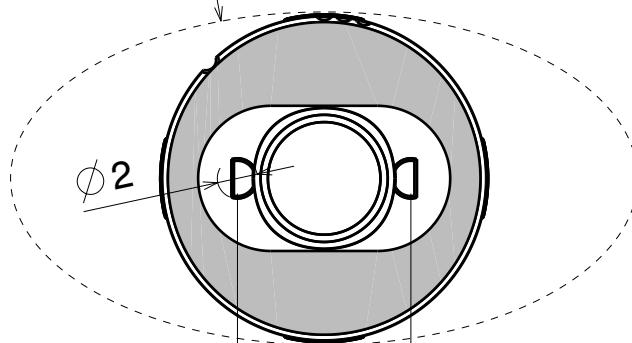
A

4

4



Oval beam direction

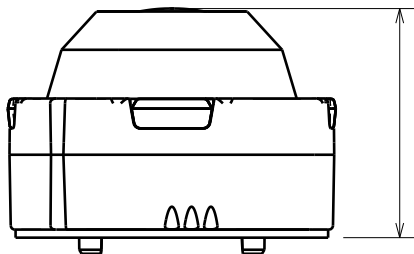


8.6

c / c

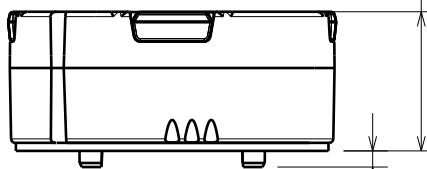
3

3



11.4

Spot version height

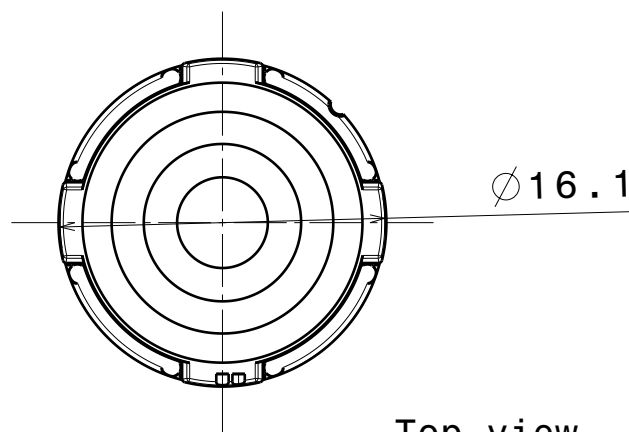


6.9

0.8

2

2



16.1

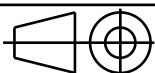
Top view

Tolerances if not otherwise shown
 According to DIN ISO 2768-1
 Linear measures:
 Up to 30mm class F, otherwise class M.
 According to DIN ISO 2768-2
 Form and position: class K

LEDiL

Ledil Oy
 Salorankatu 10
 FIN 24240 SALO
 Finland

THIRD ANGLE PROJECTION:



DRAWING TITLE

TINA3 Datasheet

This drawing is the property
 of LEDiL Oy. It may not be
 reproduced, copied or
 communicated without a written
 agreement with LEDiL Oy."

SIZE

A4

PART NUMBER

-

SCALE

4:3

WEIGHT

-

SHEET

1/1

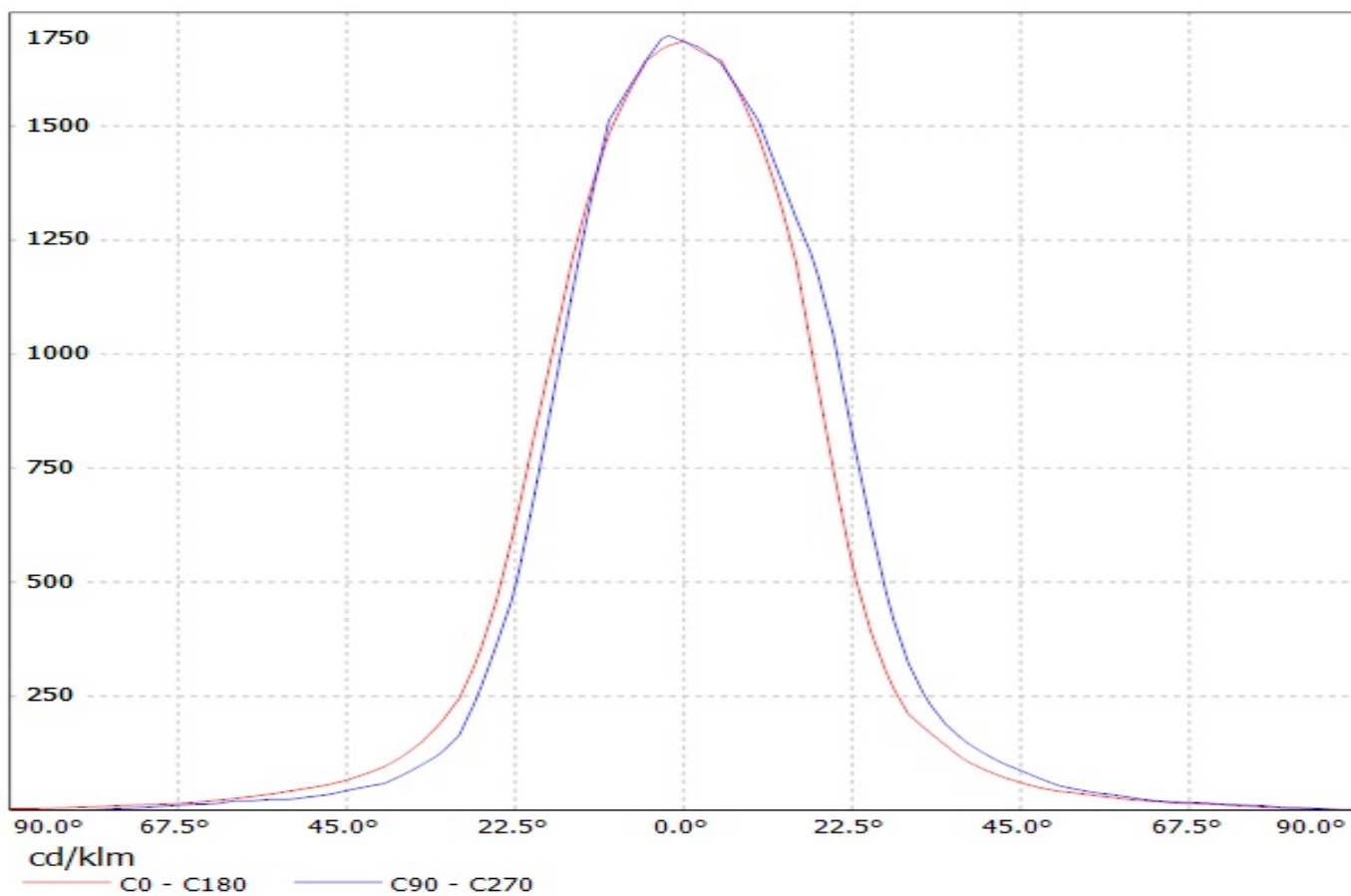
D

A

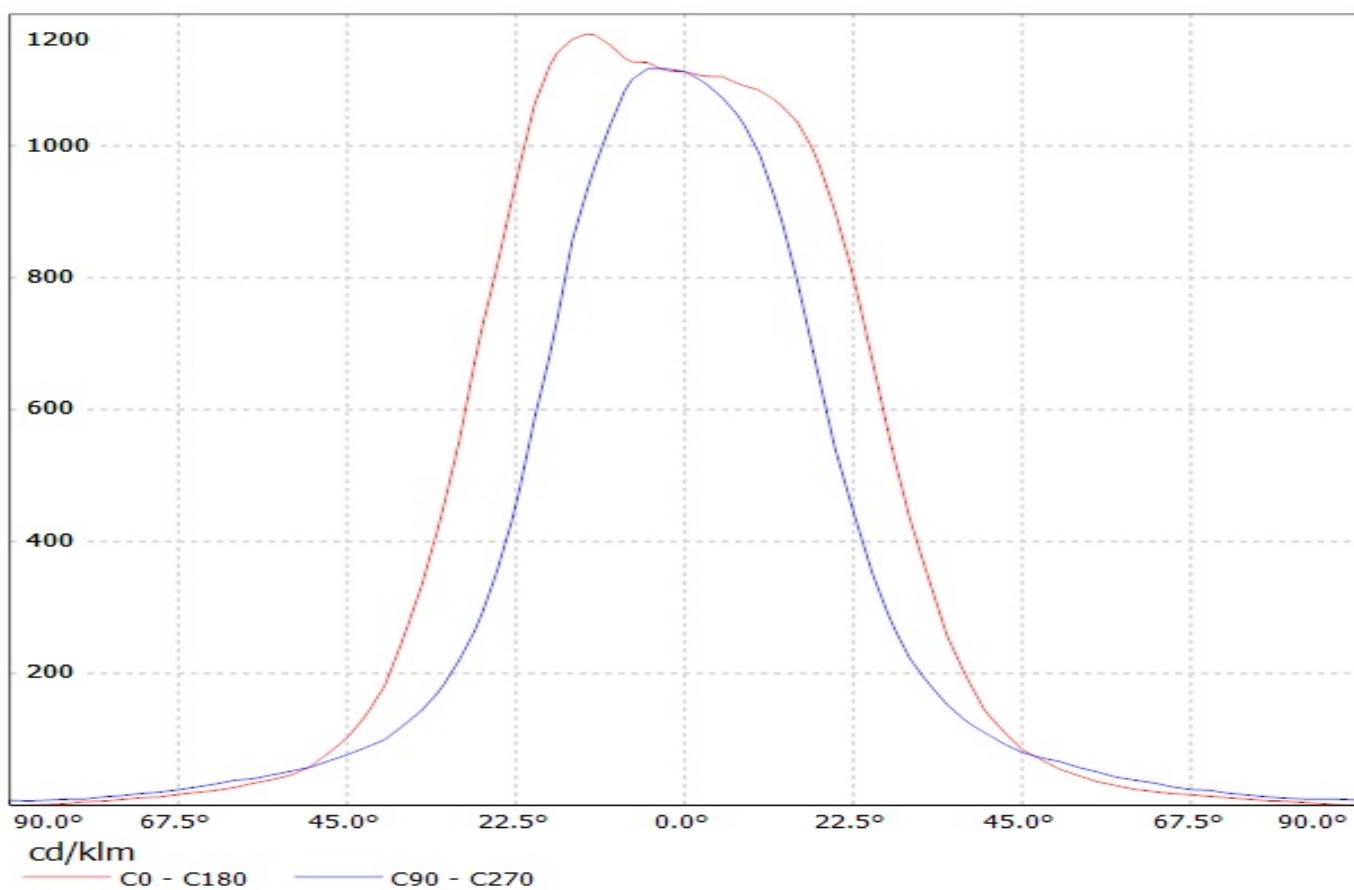
1

1

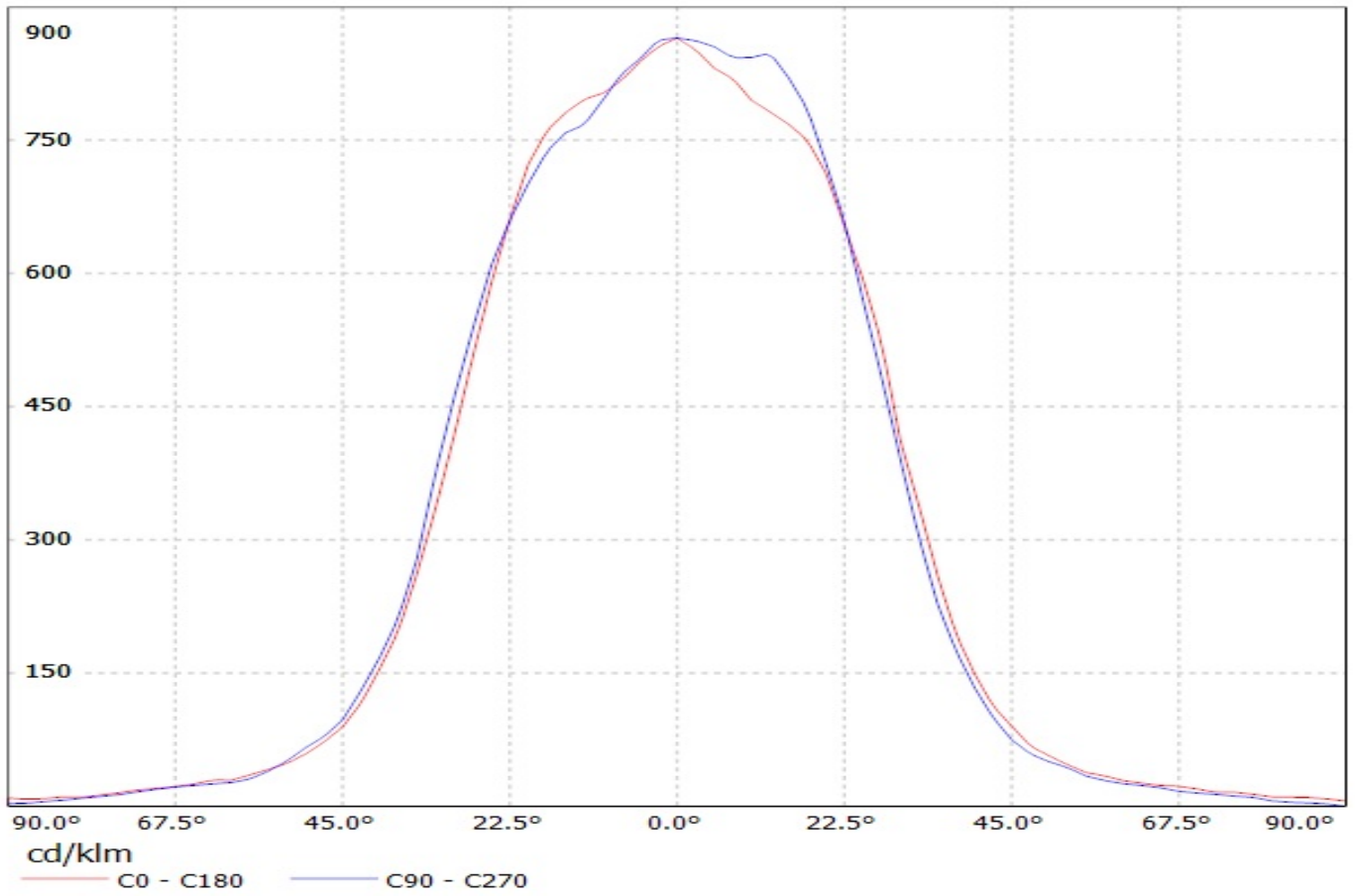
Luminaire: Ledil Oy CA12426_TINA3-W (Osram Square EC 66lm @ 250mA) Efficiency=88%
Lamps: 1 x Osram Square EC 66lm @ 250mA



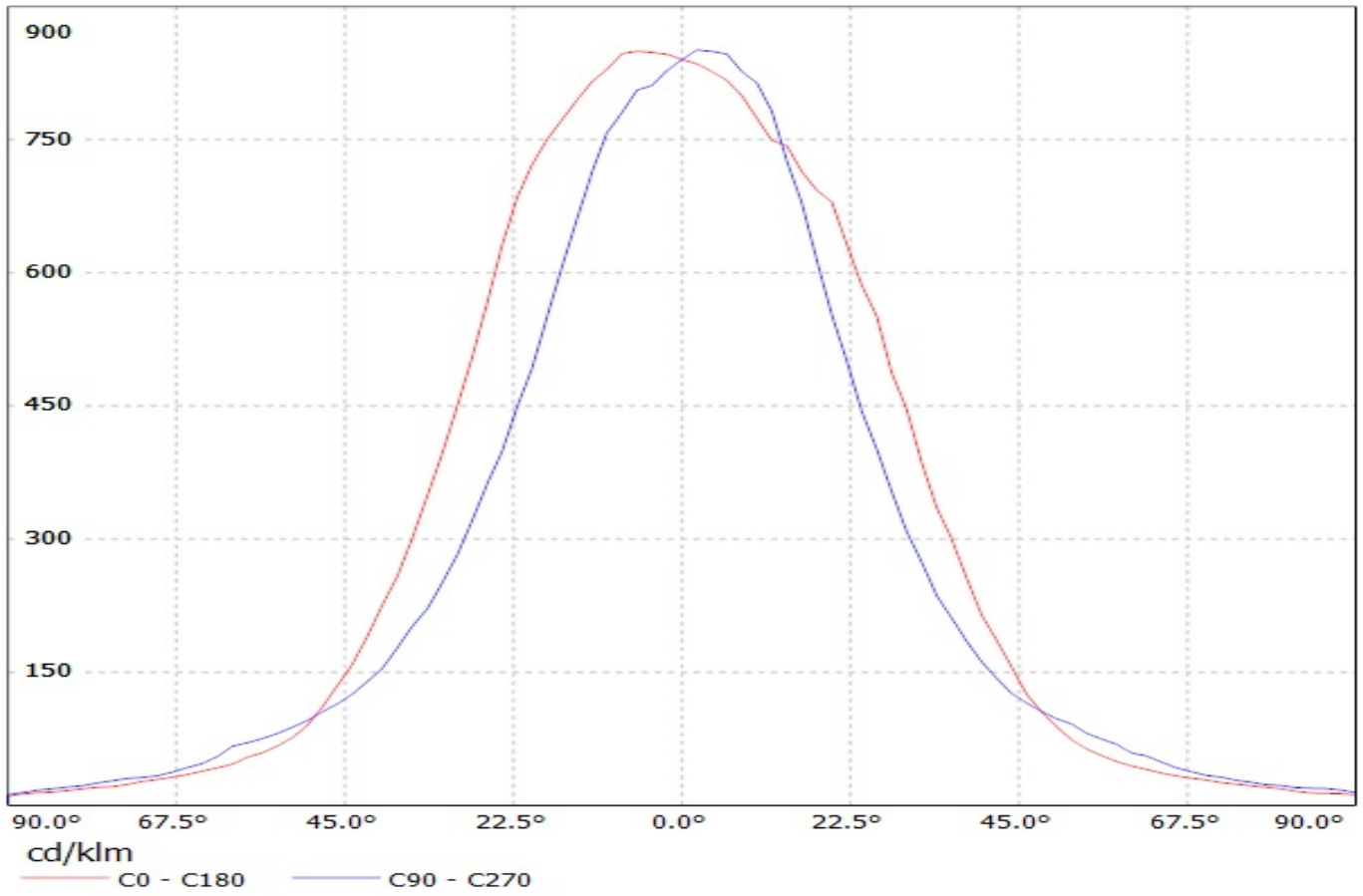
Luminaire: Ledil Oy CA12429_TINA3-00 (Osram Square EC 66lm @ 250mA) Efficiency=88%
Lamps: 1 x Osram Square EC 66lm @ 250mA



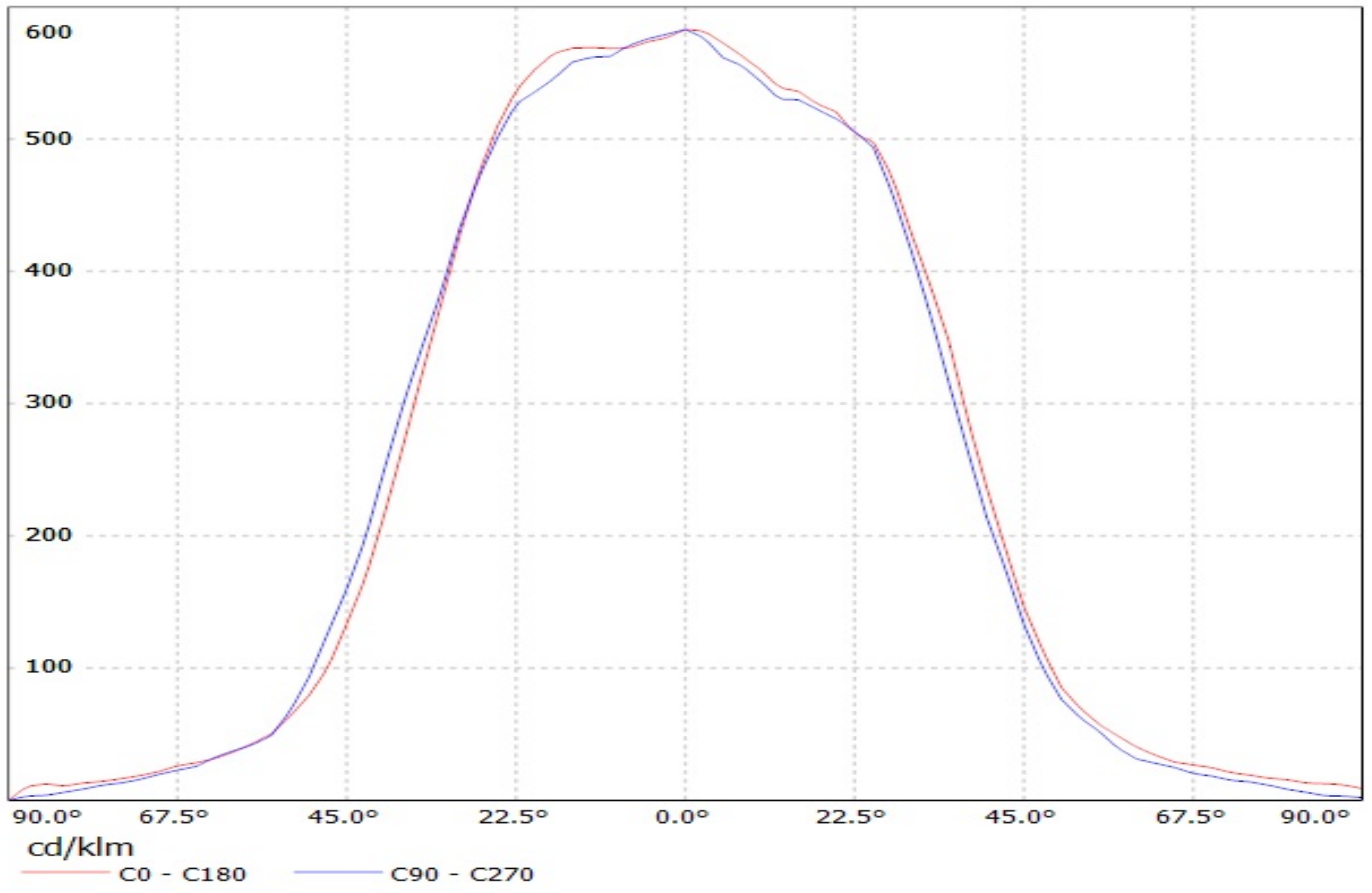
Luminaire: Ledil Oy CA12427_TINA3-WW (Osram Square EC 66lm @ 250mA) Efficiency=87%
Lamps: 1 x Osram Square EC 66lm @ 250mA



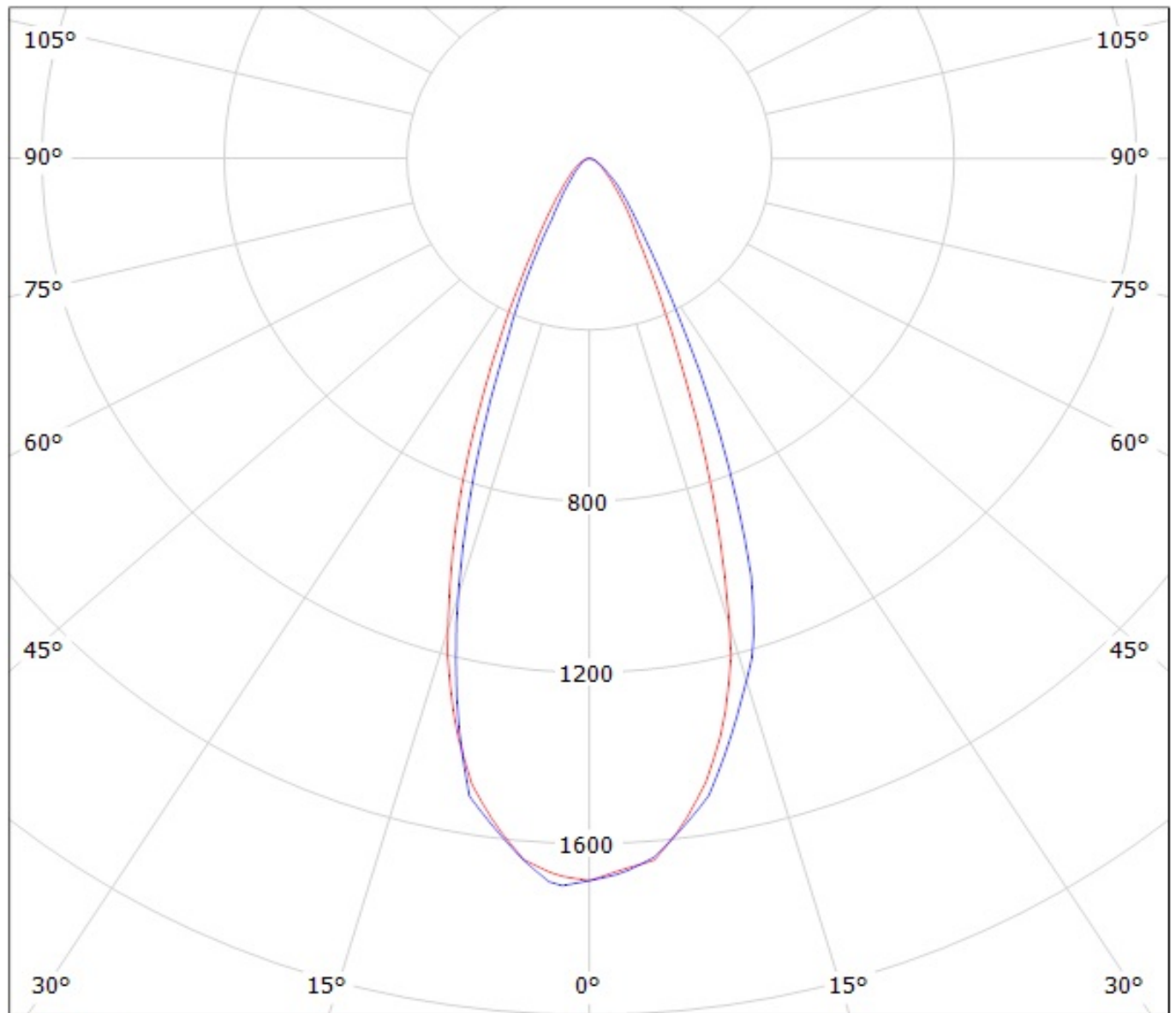
Luminaire: Ledil Oy FA11870_TINA3-OO-SQ-EC (Osram Square EC 78lm @ 250mA) Efficiency=87%
Lamps: 1 x Osram Square EC 78lm @ 250mA



Luminaire: Ledil Oy CA12428_TINA3-WWW (Osram Square EC 66lm @ 250mA) Efficiency=84%
Lamps: 1 x Osram Square EC 66lm @ 250mA



Luminaire: Ledil Oy CA12426_TINA3-W (Osram Square EC 66lm @ 250mA) Efficiency=88%
Lamps: 1 x Osram Square EC 66lm @ 250mA

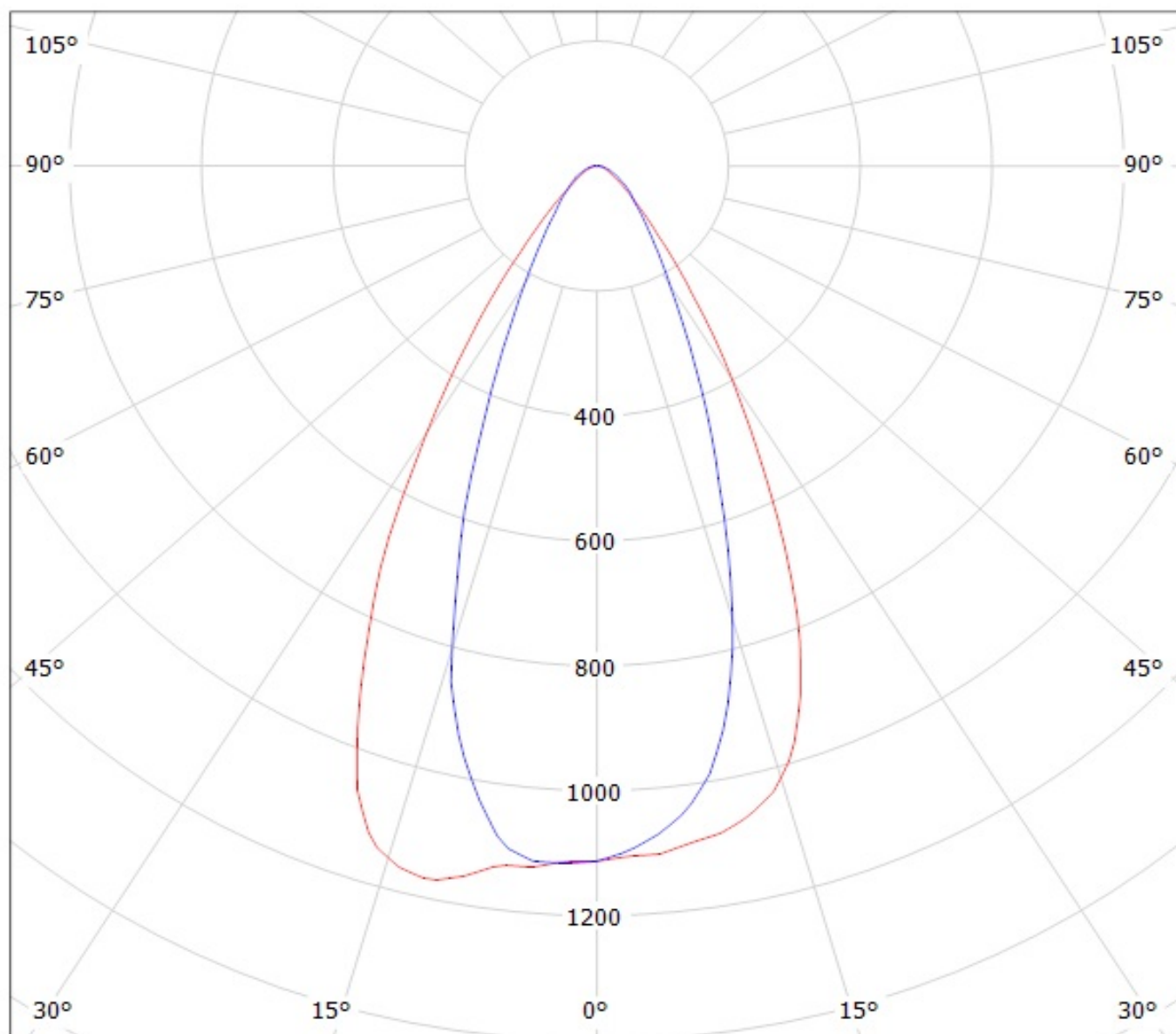


cd/klm

— C0 - C180

— C90 - C270

Luminaire: Ledil Oy CA12429_TINA3-00 (Osram Square EC 66lm @ 250mA) Efficiency=88%
Lamps: 1 x Osram Square EC 66lm @ 250mA

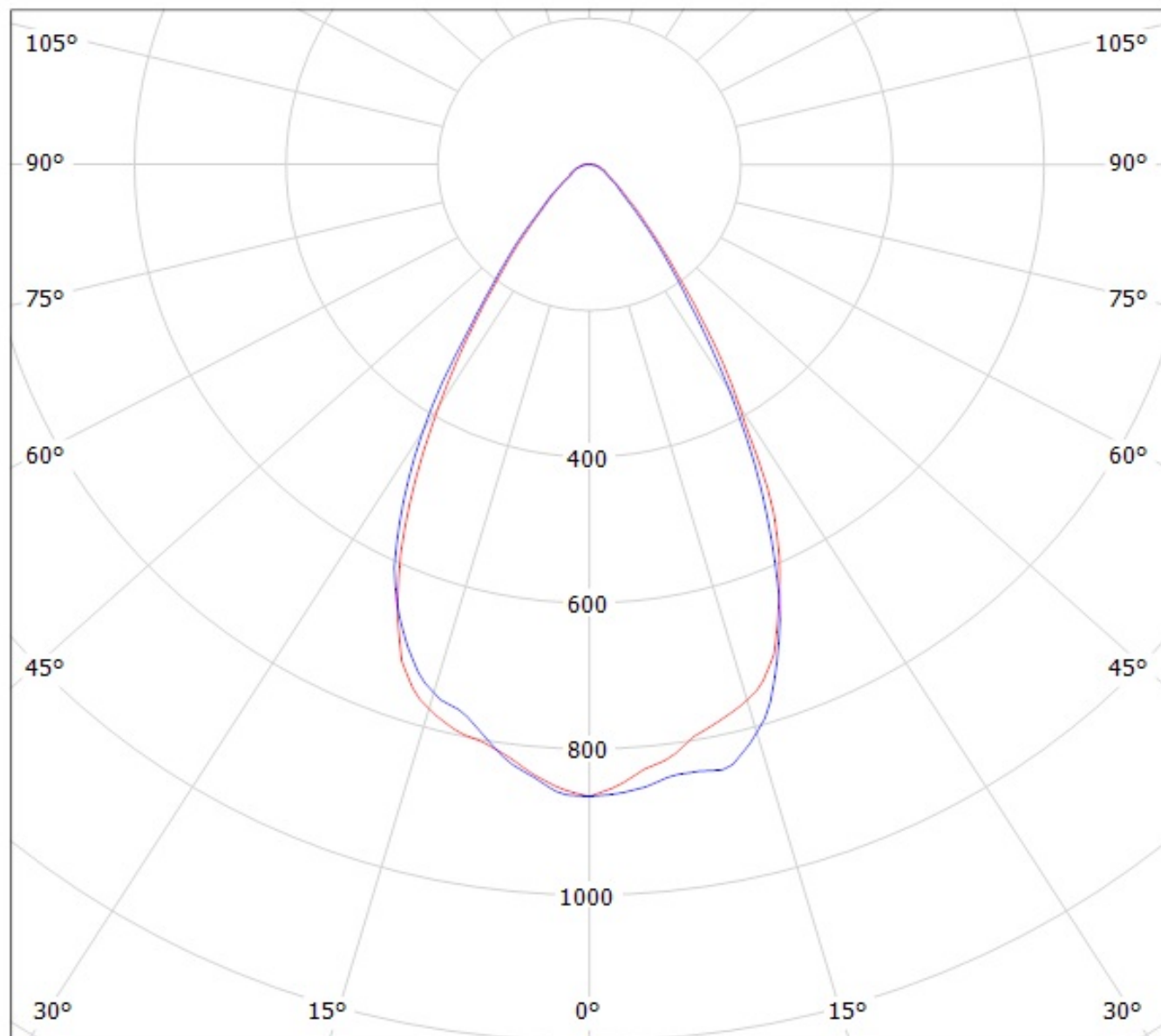


cd/klm

— C0 - C180

— C90 - C270

Luminaire: Ledil Oy CA12427_TINA3-WW (Osram Square EC 66lm @ 250mA) Efficiency=87%
Lamps: 1 x Osram Square EC 66lm @ 250mA

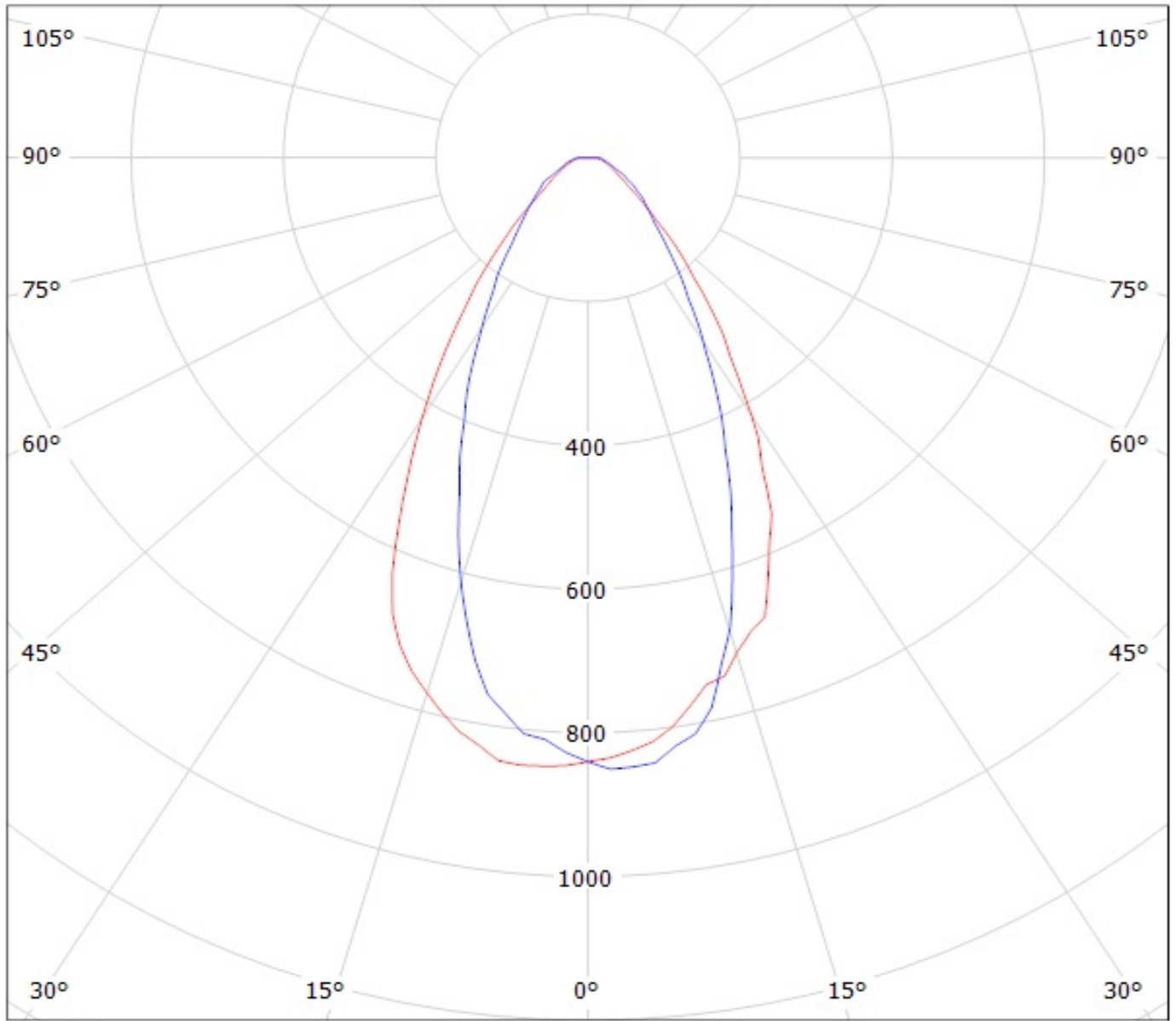


cd/klm

— C0 - C180

— C90 - C270

Luminaire: Ledil Oy FA11870_TINA3-OO-SQ-EC (Osram Square EC 78lm @ 250mA) Efficiency=87%
Lamps: 1 x Osram Square EC 78lm @ 250mA

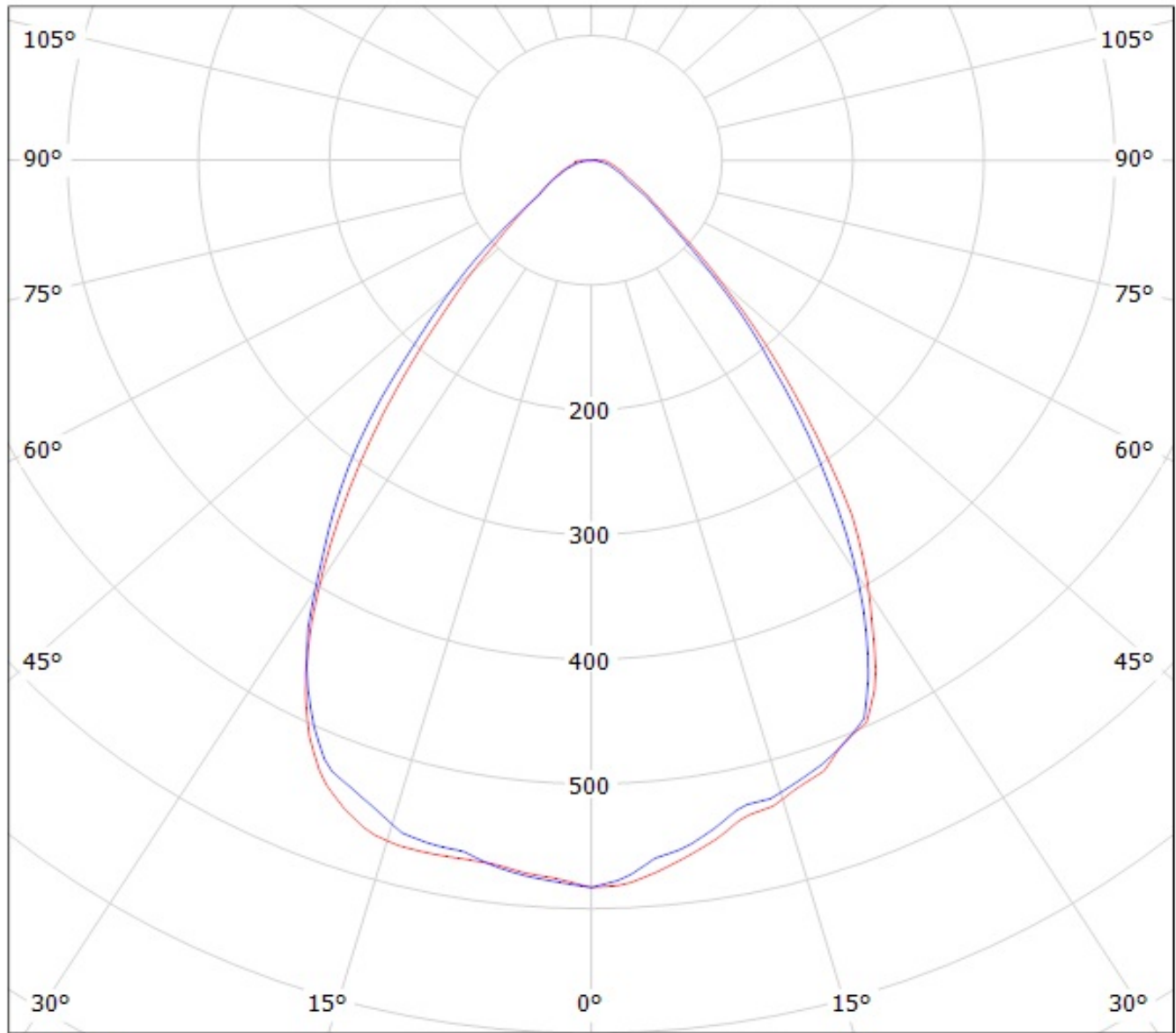


cd/klm

— C0 - C180

— C90 - C270

Luminaire: Ledil Oy CA12428_TINA3-WWW (Osram Square EC 66lm @ 250mA) Efficiency=84%
Lamps: 1 x Osram Square EC 66lm @ 250mA



cd/klm

— C0 - C180

— C90 - C270