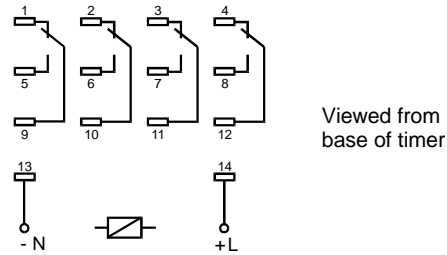
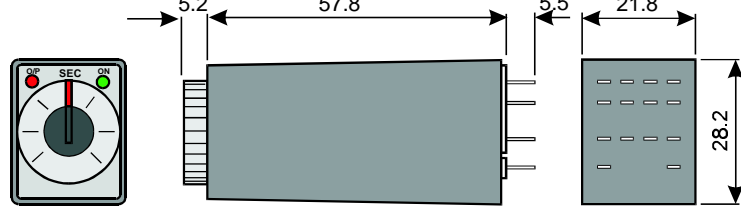


ANALOGUE TIMERS

Connection Diagram



Dimensions



Standard Items

Voltage	Time	Part Number	Voltage	Time	Part Number
230Vac	5 sec	MT4L5S230VAC	24Vdc	5 sec	MT4L5S24VAC
	10 sec	MT4L10S230VAC		30 sec	MT4L30S24VAC
	30 sec	MT4L30S230VAC		10 min	MT4L10M24VAC
	60 sec	MT4L60S230VAC		5 sec	MT4L5S24VDC
	5 min	MT4L5M230VAC		10 sec	MT4L10S24VDC
	10 min	MT4L10M230VAC		60 sec	MT4L60S24VDC
110Vac	30 min	MT4L30M230VAC			
	5 sec	MT4L5S110VAC			
	10 sec	MT4L10S110VAC			
	30 sec	MT4L30S110VAC			
	60 sec	MT4L60S110VAC			

For suitable wiring sockets see page 39.

TT4800 Series Multi-Range Timers



The TT4800 timers have been styled to match the TC4800 temperature controllers (see page 13). Delay on and true delay off operating modes are available each with multi-time ranges (adjustable from a rotary switch) plus a lockable dial to prevent tampering.

- * Up to 5 selectable time ranges
- * Dual, 5 Amp output relay contacts
- * 24Vdc, 110Vac & 230Vac supply options
- * Lockable dial to prevent tampering
- * CE emc and low voltage compatible

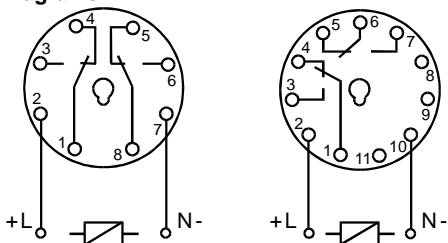
Specification

Supply voltage: 24Vdc, 110Vac, 230Vac @ 50/60 Hz
 Min. Supply time: 4 secs (TT4802 - TDD models only)
 Power drain: 2W or 4VA
 Supply limits: +/- 15% of supply voltage
 Timing modes: DE or TDD See timing chart on page 11 for details
 Timing ranges: Multi-range: 6S, 60S, 6M, 60M, 6H for TT4801
 3S, 30S, 3M, 30M for TT4802

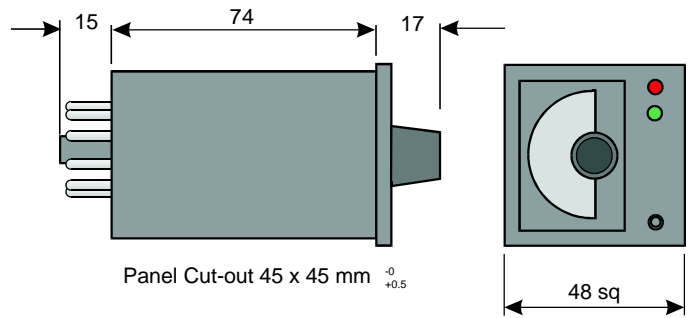
Scale range: 5% to 100% of selected range
 Calibration: -0 to +5% of full scale range
 Repeat accuracy: 1% of scale value
 Reset time: 100msec
 Output config: DPCO relay contacts
 Output rating: 5A/240Vac or 30Vdc resistive
 Electrical life: 1x10⁵ ops at rated load
 Mechanical life: 10x10⁶ ops.
 Operating temp: -10°C to +60°C
 CE compatibility: Meets EN61010-1 low voltage and EN50081-1/50082-1 emc directives

Weight: DE 150gms, TDD 160gms

Connection Diagrams



Dimensions



Standard Items

Model	Base	Voltage	Part Number
Delay-On	8 Pin	230Vac	TT4801-01
		110Vac	TT4801-02
		24Vdc	TT4801-03
	11 pin	230Vac	TT4801-11
		110Vac	TT4801-12
		24Vdc	TT4801-13
True Delay-Off	8 pin	230Vac	TT4802-01
		110Vac	TT4802-02
		24Vdc	TT4802-03

For matching temperature controllers, see the TC4800 range on page 13. For suitable wiring sockets see page 39.

TZ Series DIN Rail Timers



The TZ range of timers are designed for standard DIN rail mounting. With up to 2 DPCO relay outputs and operating voltages from 12 Vac/dc up to 240 Vac the TZ series is an economical solution to in-panel timing requirements.

- * Multi-voltage supply inputs
- * 4 modes of operation
- * Up to 2 x 3A rated relay outputs
- * CE emc and low voltage compatible

Specification

Supply voltage: 12Vac/dc and 24Vac/dc
 48Vac/dc and 110 - 230Vac @ 50/60 Hz

Power drain: 1VA
 Supply limits: +/- 15% of supply voltage
 Timing modes: DE, INT, DC or IC see timing chart on page 11
 Timing ranges: 1, 3, 6, 12, 30 secs
 1, 2, 3, 6 mins

Scale range: 1/60th to 100% of selected range
 Calibration: +/- 5% of full scale range
 Repeat accuracy: +/- 5% of full scale value
 Reset time: 200msec
 Output config: SPCO/DPCO relay contacts
 Output rating: 3A/240Vac or 30Vdc resistive
 Electrical life: 5 x 10⁵ ops at rated load
 Mechanical life: 10 x 10⁶ ops.
 Operating temp: -10°C to +55°C
 CE compatibility: Meets EN61010-1 low voltage and EN50081-1/58002-1 emc directives

Weight: 150gms

Dimensions

