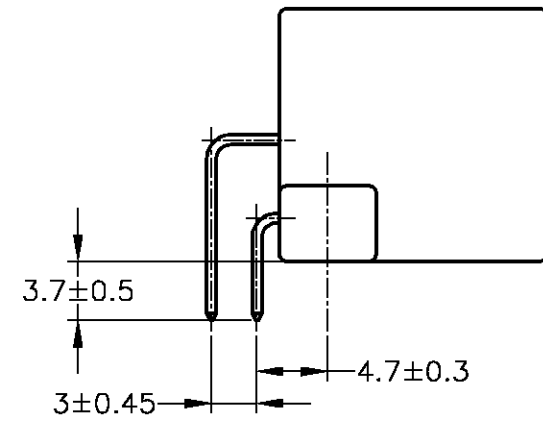
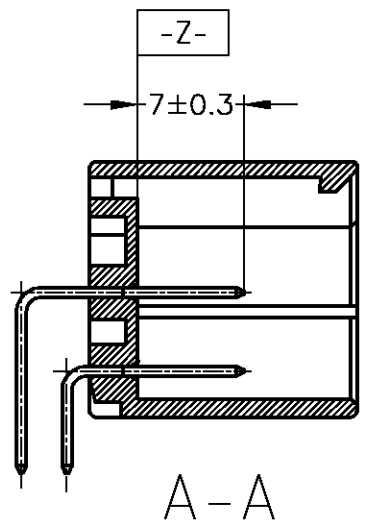
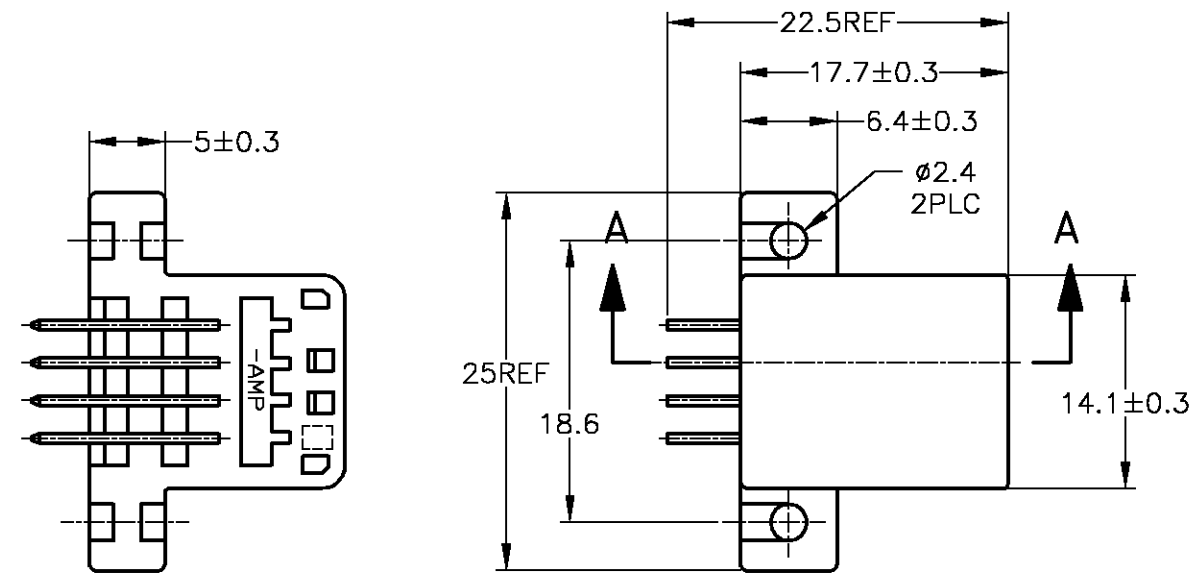
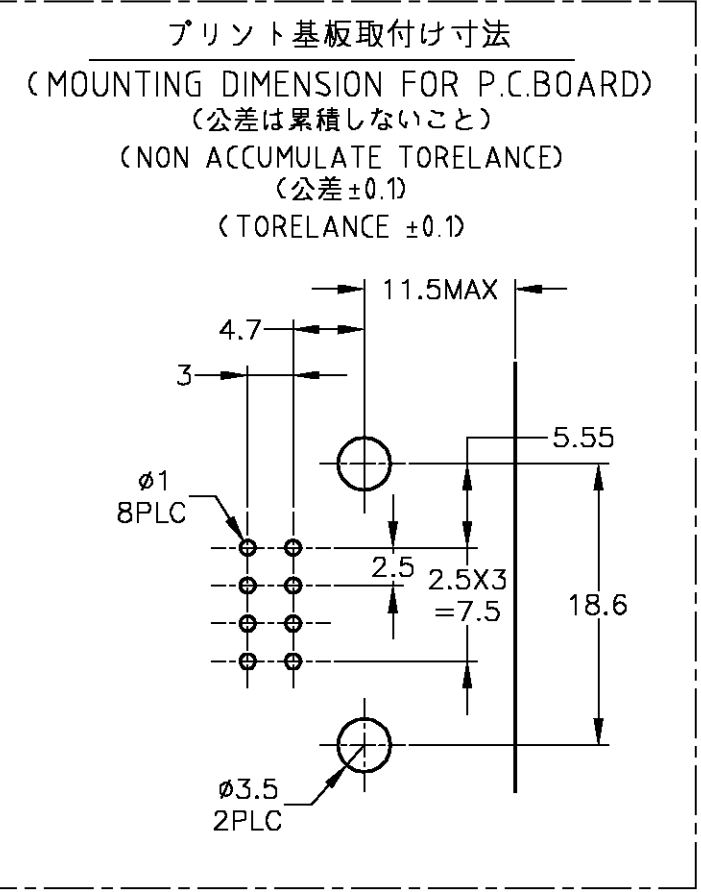


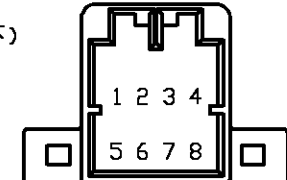
THIS DRAWING IS UNPUBLISHED. RELEASED FOR PUBLICATION
 © COPYRIGHT BY TYCO ELECTRONICS CORPORATION. ALL RIGHTS RESERVED.

LOC	DIST	REVISIONS						
		P	LTR	DESCRIPTION	DATE	DWN	APVD	
J	-	D5		OBSOLETE 2-175973-2	ECR-06-009400	19APR06	TS	KB



1. APPLICABLE P.C.B BOARD THICKNESS; 1.6mm
 2. RECOMMENDED MOUNTING SCREW 3mm DIA 6mm LENGTH (MIN)
TAPPING SCREW SPECIFIED IN JIS B1115, B1122
(TIGHTENING TORQUE; 0.392N·m MAX)
 3. THE MATING PLUG HSG. PART NUMBER; 175964
 4. APPLICABLE PRODUCT SPEC NO.; 108-5281
- △5 TO BE MEASURED WITHIN 2mm FROM [-Z-]
 △6 CIRCUIT NUMBER

1. 適用プリント基板厚; 1.6mm
 2. 推奨取付ネジ; JIS B1115, B1122 タッピングネジ
ナベ2種呼び径3, 長さ6mm以上 (締付トルク; 0.392N·m 以下)
 3. 嵌合相手ハウジング; 175964
 4. 適用製品規格番号; 108-5281
- △5 [-Z-] 面より2mmの範囲で測定
 △6 回路番号; 右図参照



FINISH OF CONTACT	FINISH OF CONTACT	CIRCUIT NO OF GOLD PLATED CONTACT	HOUSING COLOR	PN 型番
OBSELETE	SELECTIVE-TIN	PRE-TIN	BLACK	2-175973-2
	TIN-LEAD	SELECTIVE-GOLD X 8	BLACK	1-175973-2
	SELECTIVE-TIN (MATTE)	SELECTIVE-TIN (BRIGHT)	BLACK	175973-4
	PRE-TIN X 5		BLACK	175973-3
	TIN-LEAD	SELECTIVE-GOLD X 3	BLACK	175973-2
	PRE-TIN		GRAY	175973-1
	PRE-TIN			
半田付け部 SOLDERING SIDE	接触部側 CONTACT SIDE	△6 金メッキ端子使用回路番号	ハウジング色	PN 型番

TOLERANCE UNLESS OTHERWISE SPECIFIED:
 一般公差

0 < x ≤ 10	: ±0.2
10 < x ≤ 30	: ±0.25
30 < x ≤ 100	: ±0.3
ANGLE ; 角度	: ±3°

THIS DRAWING IS A CONTROLLED DOCUMENT.

DWN	T.SHINOHARA	12FEB02
CHK	A.YAMAGUCHI	12FEB02
APVD	K.BETSUJ	12FEB02

tyco Electronics
 Tyco Electronics AMP K.K.
 Kawasaki, Japan

NAME 040 SERIES MULTI-LOCK I/O CONN MK-II
 名称 8POSITION CAP HOUSING ASSEMBLY

PRODUCT SPEC SEE NOTE 4
 製品規格

APPLICATION SPEC
 取付適用規格

WEIGHT 3.25 g

CUSTOMER DRAWING

SIZE A3 CAGE CODE 00779 DRAWING NO. 175973 RESTRICTED TO

SCALE 2:1 SHEET 1 OF 1 REV D5