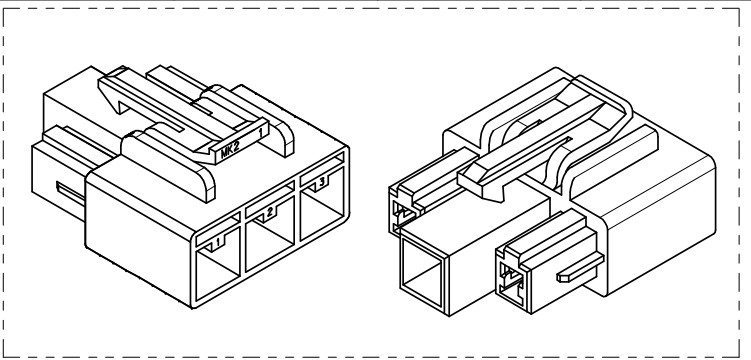
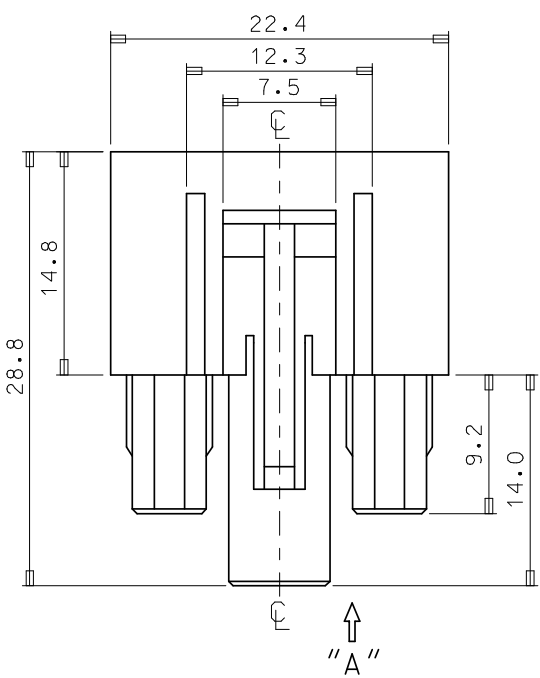
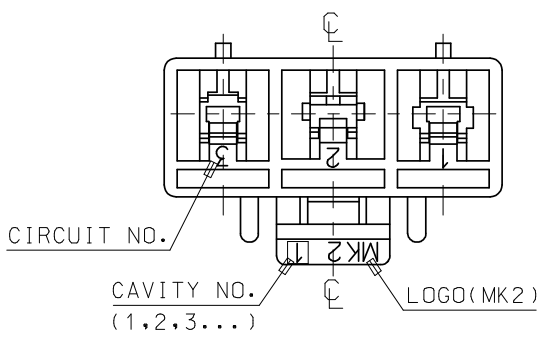
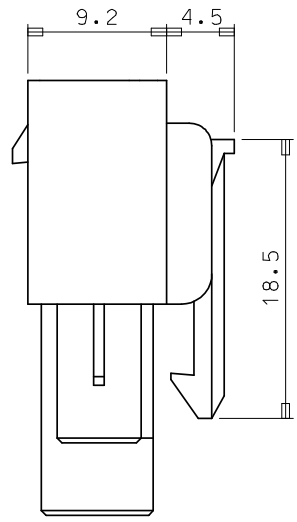


VIEW "A"



- NOTES
- MATERIAL . COLOR : SEE TABLE
 - MATED HOUSING : 35150-*30*
35150-*31*
35150-039*(T.P.A)
 - APPLICABLE TERMINAL : 35746-0*10 (1 CIRCUIT)
35745-0*10 (2 CIRCUIT)
35748-0*10 (3 CIRCUIT)

BLUE COLOR	PET/PC (UL94V-0)	35151-4319	351514319	6
YELLOW COLOR		35151-3319	351513319	5
RED COLOR		35151-2319	351512319	4
NATURAL COLOR		35151-0319	351510319	3
BLUE COLOR	PBT (UL94V-0)	35151-0314	351510314	2
NATURAL COLOR		35151-0310	351510310	1
FINISH	DESCRIPTION	ORDER NO	MATERIAL NO	NO
MATERIAL		PRODUCT		

[TABLE]

REVISED EC NO: KOR2009-0014 DRWN: JHPARK01 2008/08/19 CHKD: WY. YANG 2008/08/19 APPR: YUNS IKKIM 2008/08/19	QUALITY SYMBOLS ▽=0 ▽=0	GENERAL TOLERANCES (UNLESS SPECIFIED)		DIMENSION STYLE MM ONLY	SCALE 3:1	DESIGN UNITS METRIC	THIRD ANGLE PROJECTION		
		4 PLACES ± --- ± --- 3 PLACES ± --- ± --- 2 PLACES ± --- ± --- 1 PLACE ± 0.3 ± ---	m.m INCH	DRAWN BY JS KANG	DATE	TITLE 7.3 PITCH W/W CONN FEMALE HSG-3P			
		ANGULAR ± 1 °		CHECKED BY	DATE	APPROVED BY			
		DRAFT WHERE APPLICABLE MUST REMAIN WITHIN DIMENSIONS		MATERIAL NO. SEE TABLE	DATE	DOCUMENT NO. SD-35151-031*	SHEET NO. 1 OF 01		