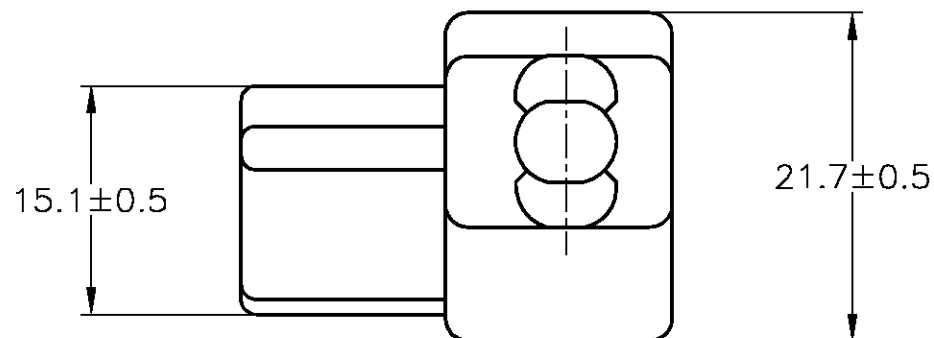
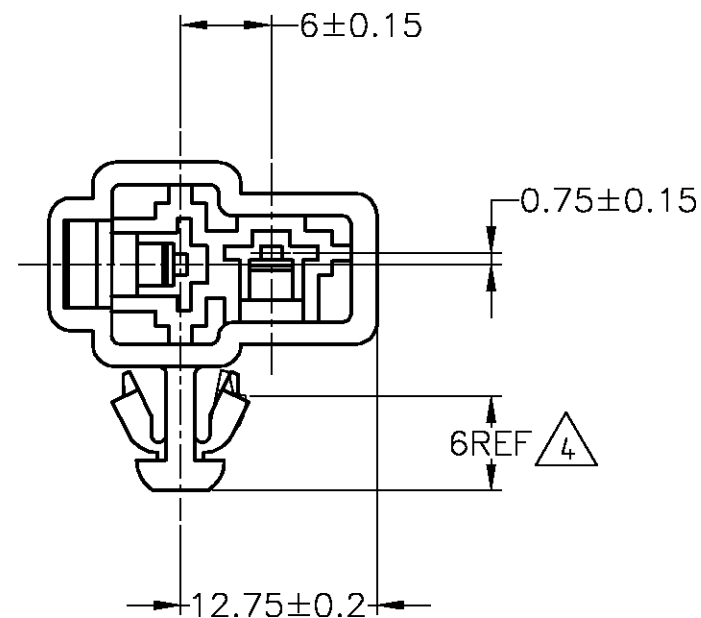
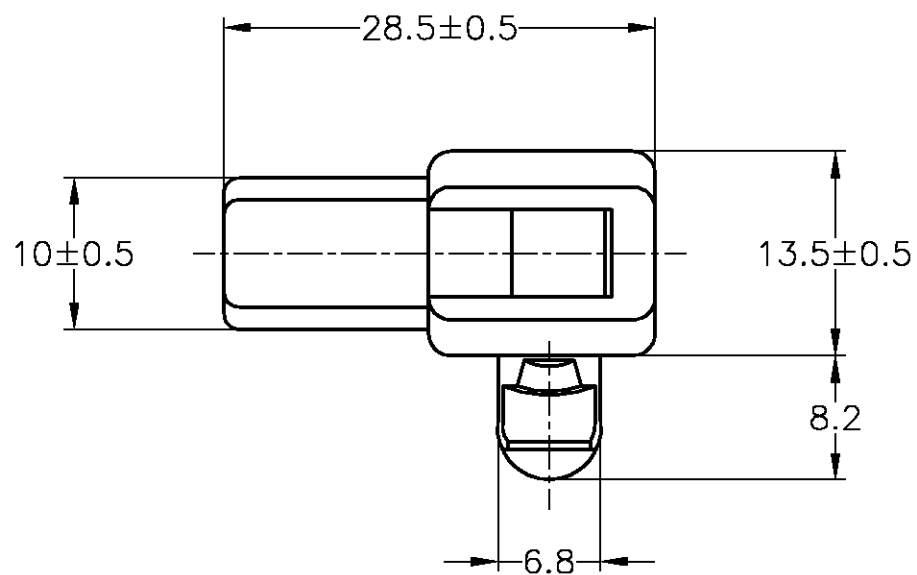


THIS DRAWING IS UNPUBLISHED. RELEASED FOR PUBLICATION
 © COPYRIGHT BY TYCO ELECTRONICS CORPORATION. ALL RIGHTS RESERVED.

LOC	DIST	REVISIONS					
J	—	P	LTR	DESCRIPTION	DATE	DWN	APVD
		C1	REVISED	FJA0-0648-03	21OCT03	TS	KB



1. 嵌合する相手ハウジングは型番 172130
2. 使用端子は型番 170340, 170341, 170349
3. 適用パネル穴径 7.0mm 板厚 0.65~1.2mm
- △ パネルに取付けた時のパネル内側に必要スペース
5. 適用製品規格番号; 108-5153

1. THE MATING COUNTERPART NUMBER 172130
2. APPLIED CONTACT; PN 170340, 170341, 170349
3. APPLICABLE PANEL; HOLD DIMENSION 7.0mm
; THICKNESS 0.65~1.2mm
- △ A SPACING REQUIRED INSIDE OF THE
PANEL FOR MOUNTING PANEL
5. APPLICABLE PRODUCT SPEC NO. 108-5153

淡灰 LIGHT GRAY	6-172383-6
桃 PINK	1-172383-0
赤 RED	172383-9
灰 GRAY	172383-6
青 BLUE	172383-5
茶 BROWN	172383-3
黒 BLACK	172383-2
自然色 NATURAL	172383-1
色 COLOR	型番 PART NUMBER

TOLERANCE UNLESS OTHERWISE SPECIFIED: 一般公差

0 < x ≤ 10	: ±0.2
10 < x ≤ 30	: ±0.25
30 < x ≤ 100	: ±0.3
ANGLE ; 角度	: ±3°

THIS DRAWING IS A CONTROLLED DOCUMENT.		DWN T.SHINOHARA 21OCT03	Tyco Electronics AMP K.K. Kawasaki, Japan	
DIMENSIONS: 単位: 概 MM		CHK K.BETSUI 21OCT03		
TOLERANCES UNLESS OTHERWISE SPECIFIED: 一般公差		APVD K.BETSUI 21OCT03	NAME 名称 250 SERIES HOUSING LANCE CONNECTOR	
0 PLC ± - 1 PLC ± - 2 PLC ± - 3 PLC ± - 4 PLC ± - ANGLES ± -		PRODUCT SPEC 製品規格 SEE NOTE 5	2 POSITION CAP HOUSING	
MATERIAL 材料 6/6 ナイロン 6/6 NYLON		APPLICATION SPEC 取付適用規格	PANEL MOUNT TYPE	
FINISH 仕上 色 ; 表参照 COLOR; SEE TABLE		WEIGHT -	SIZE A3	CAGE CODE 00779
CUSTOMER DRAWING		DRAWING NO 番号 C-172383		RESTRICTED TO -
		SCALE 尺度 2:1		SHEET 1 OF 1
				REV C1