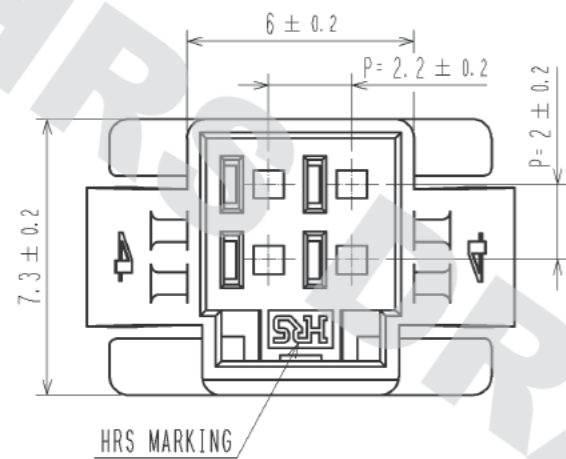
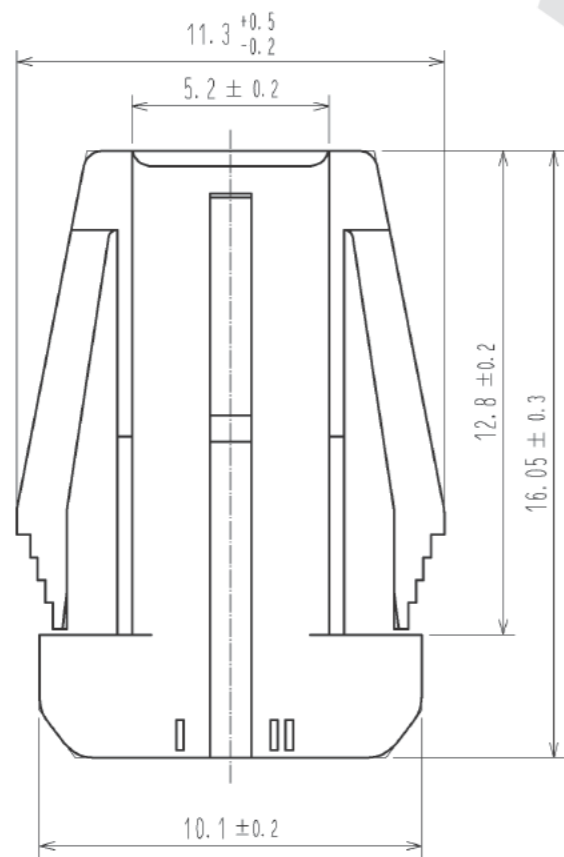
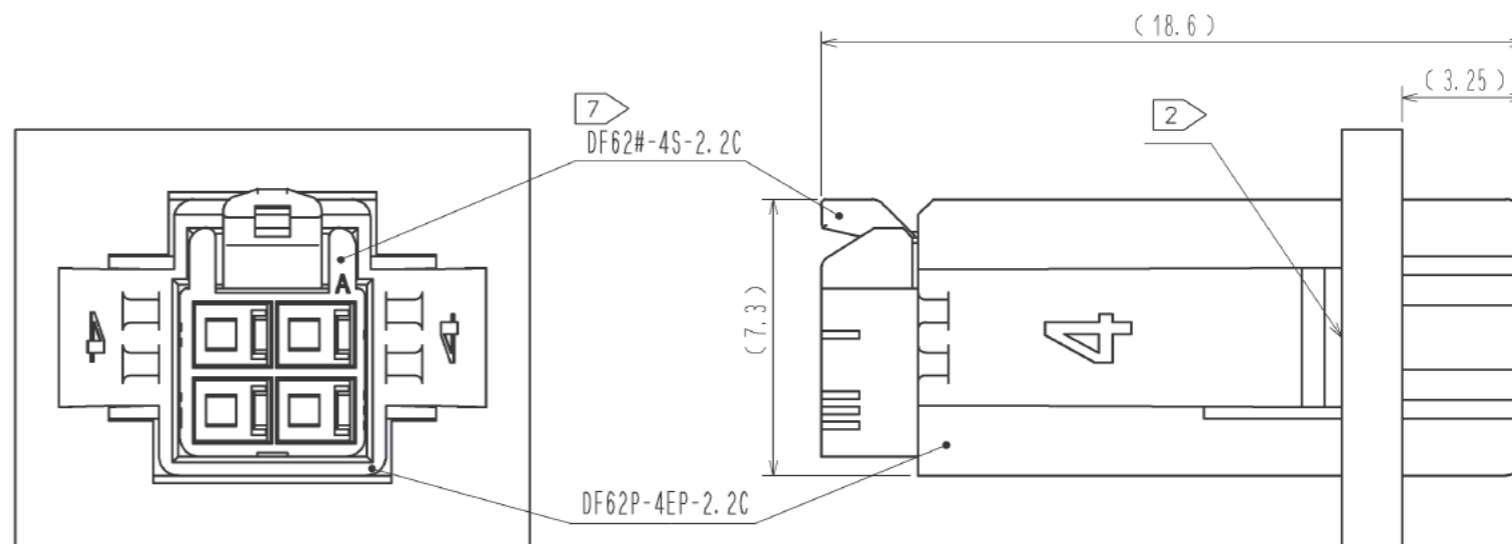


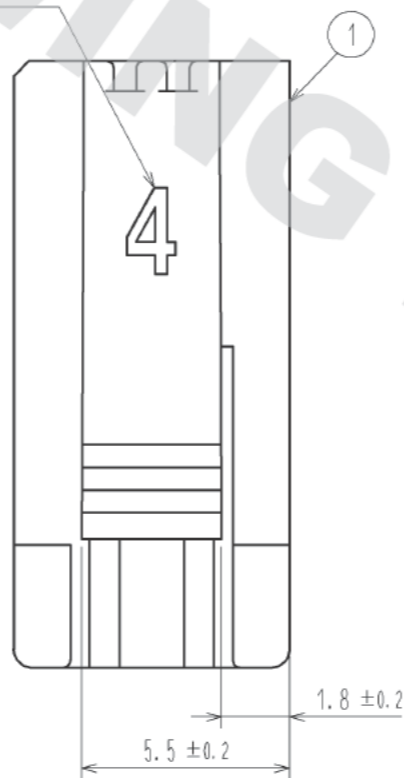
DRAWING FOR REFERENCE: This is subject to change without notice
05/31/2014



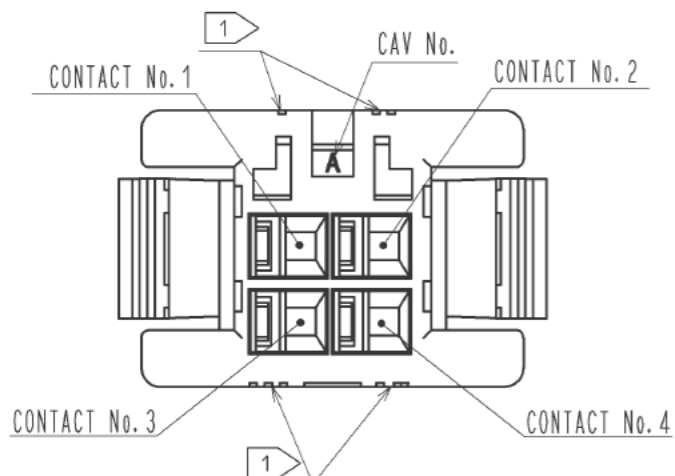
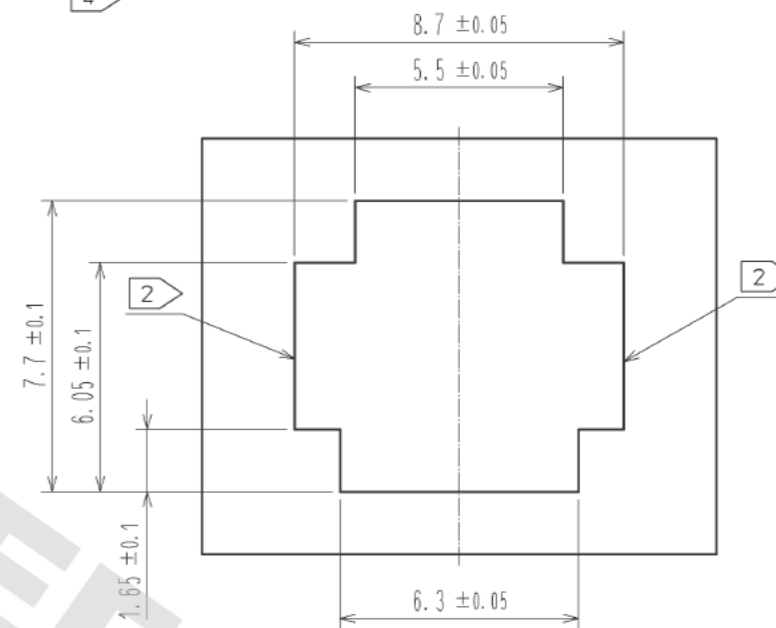
7) MATING FIGURE (PANEL MOUNTED)



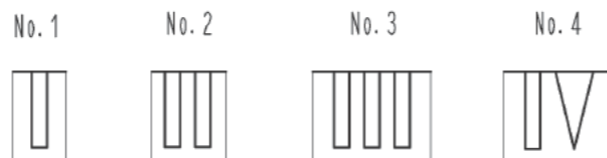
NUMBER OF POS.



3) 4) RECOMMENDED PANEL CUTOUT DIMENSION



1) FIGURE-1 CONTACT No. MARKING (10:1)



- NOTE. 1) MARKINGS AT THE INDICATED POSITIONS ARE CONTACT NO. MARKING. AND SHAPES ARE SHOWN IN FIGURE-1.
 2) PLEASE USE THE NON-RADIUS SIDE FOR THE PANEL HOOKING AREA.
 3) APPLICABLE PANEL THICKNESSING IS 2.3 TO 0.5mm.
 4) CONSULT HIROSE FOR THE OTHER PANEL CUTOUT DESIGNS THAN THE RECOMMENDED ONE.
 5. PER PACK : 100 PIECES.
 6. THE DIMENSIONS IN PARENTHESIS ARE FOR REFERENCE.
 7) THIS FIGURE SHOWS THE MATED CONDITION WITH DF62B-4S-2.2C.

NO. 1		PBT		UL94V-0(BLACK)	
MATERIAL		FINISH . REMARKS		NO. MATERIAL FINISH . REMARKS	
UNITS mm	SCALE 5 : 1	COUNT	DESCRIPTION OF REVISIONS	DESIGNED	CHECKED DATE
APPROVED : KI. AKIYAMA		13.12.26	DRAWING NO. EDC3-349137-00		
CHECKED : OM. MIYAMOTO		13.12.26	PART NO. DF62P-4EP-2.2C		
DESIGNED : TH. YOSHIZAWA		13.12.26	CODE NO. CL544-0545-7-00		
DRAWN : MI. SAKIMURA		13.12.25	1/1		