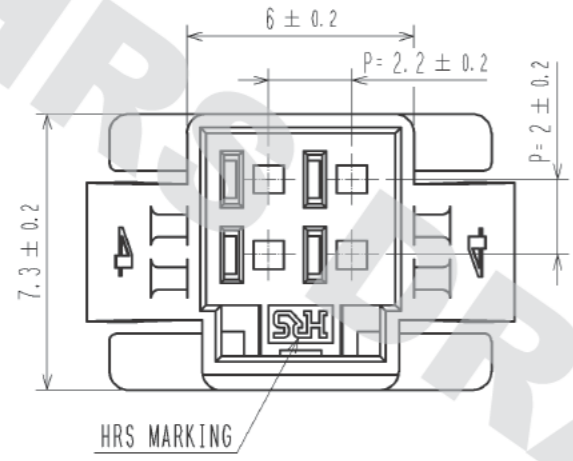
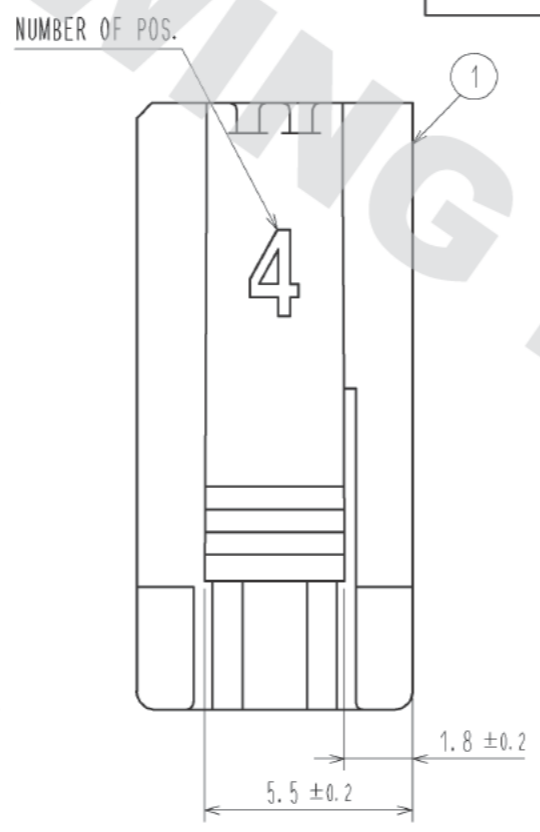
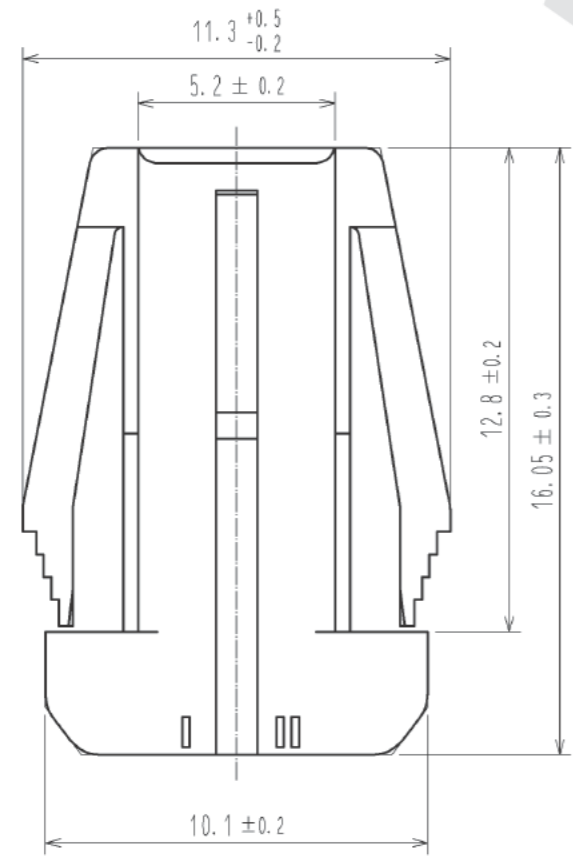
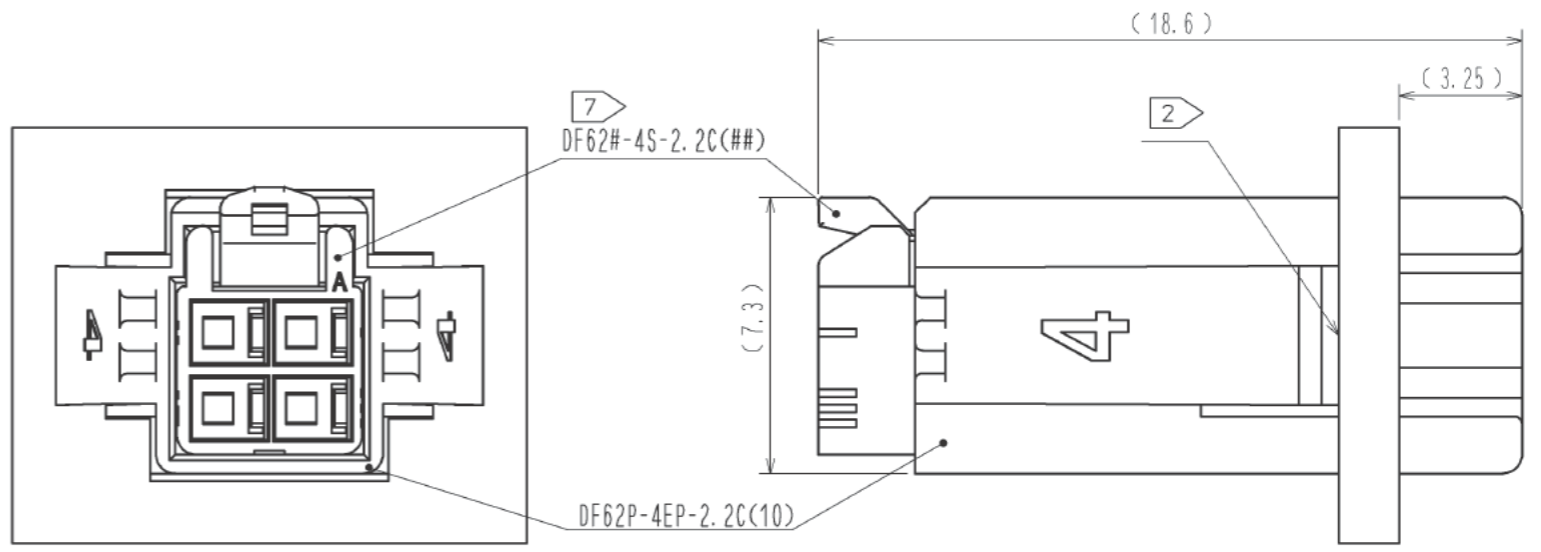


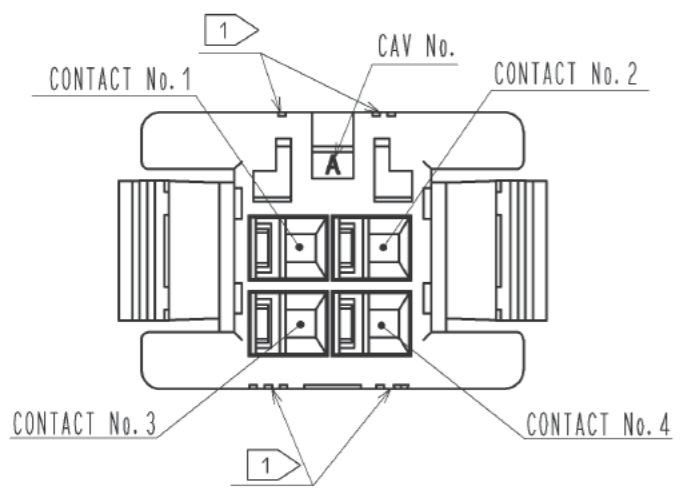
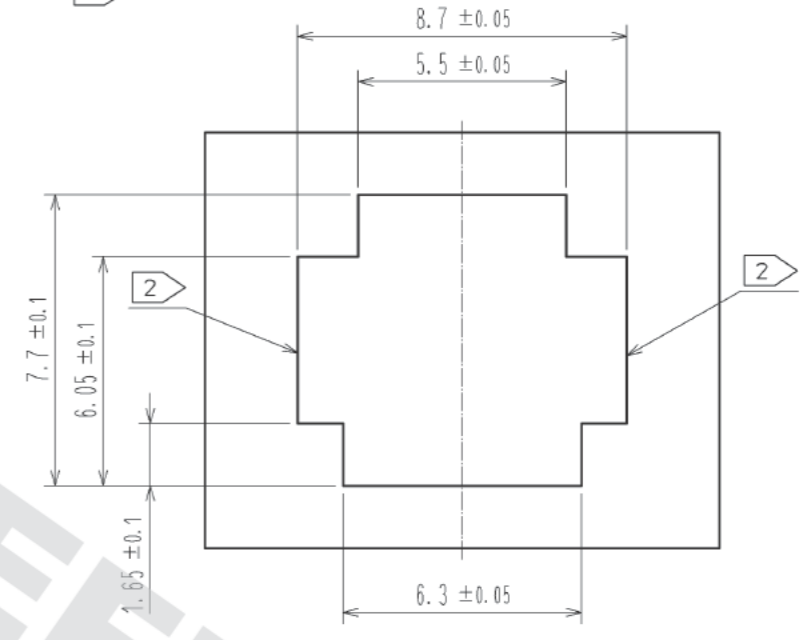
DRAWING FOR REFERENCE: This is subject to change without notice
05/31/2014



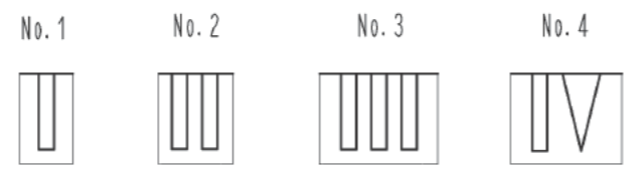
7 MATING FIGURE (PANEL MOUNTED)



3 4 RECOMMENDED PANEL CUTOUT DIMENSION



1 FIGURE-1 CONTACT No. MARKING (10:1)



- NOTE. 1 MARKINGS AT THE INDICATED POSITIONS ARE CONTACT NO. MARKING. AND SHAPES ARE SHOWN IN FIGURE-1.
 2 PLEASE USE THE NON-RADIUS SIDE FOR THE PANEL HOOKING AREA.
 3 APPLICABLE PANEL THICKENING IS 2.3 TO 0.5mm.
 4 CONSULT HIROSE FOR THE OTHER PANEL CUTOUT DESIGNS THAN THE RECOMMENDED ONE.
 5. PER PACK : 100 PIECES.
 6. THE DIMENSIONS IN PARENTHESIS ARE FOR REFERENCE.
 7 THIS FIGURE SHOWS THE MATED CONDITION WITH DF62B-4S-2.2C.

NO. 1		PBT		UL94V-0CWHITE	
MATERIAL		FINISH . REMARKS		FINISH . REMARKS	
UNITS mm		SCALE 5 : 1	COUNT 	DESCRIPTION OF REVISIONS	DESIGNED
APPROVED : KI. AKIYAMA			14.03.10	DRAWING NO. EDC3-349137-01	
CHECKED : HK. UMEHARA			14.03.10	PART NO. DF62P-4EP-2.2C(10)	
DESIGNED : TS. KUMAZAWA			14.03.07	CODE NO. CL544-0545-7-10	
DRAWN : TS. KUMAZAWA			14.03.07	DATE	
HRS HIROSE ELECTRIC CO., LTD.				1/1	