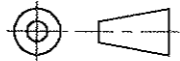


49-769020/23

DRAWING No 49-769020/23 Sht. 1

DO NOT SCALE



DIMENSIONS IN MILLIMETRES
THIRD ANGLE PROJECTION

CAD SYSTEM: 1

CAD FILE NAME: C:\mydoc\acadwork\ear\497620tb

ENVIRONMENTAL:-

TEMPERATURE RANGE:- -40°C +80°C

INGRESS PROTECTION:- IP 67

SHOCK:- 50 G

IMPACT:- 20 JOULES

DESIGNED IN ACORDANCE WITH
BRITISH COAL (N.C.B.) NON-SPARK
METALS SPECIFICATION 481/1965.

MECHANICAL:-

DIMENSIONS:-

THREAD DIMAETER (NOM) 30
BODY ACROSS FLATS (NOM) 27.5
PANEL THICKNESS (MAX) 25
INSTALATION TORQUE 2 to 5Nm

CONSTRUCTION:-

FULLY SEALED.

FINISH:-

BODY BLACK PTFE.
BUTTON (colour, see chart) PTFE.

ELECTRICAL:-

CONFIGURATION SP NO

CURRENT:-

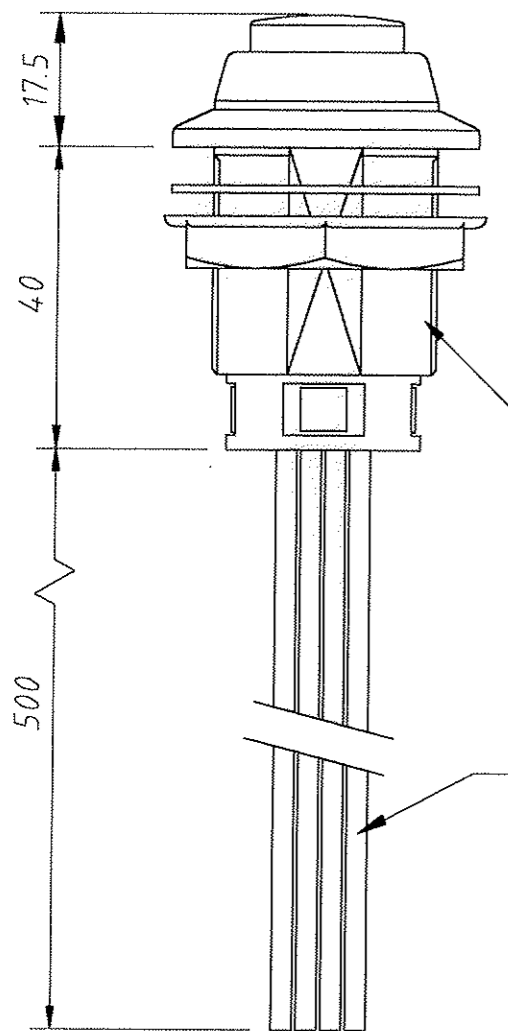
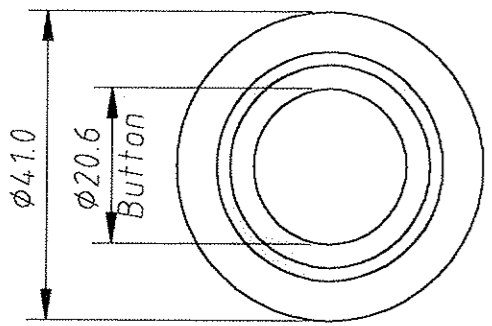
6 AMP @ 250 Vac RESISTIVE
10 AMPS WITH LIFE AND MAX TEMP
DE-RATED TO 50,000 AND 70°C.

LIFE:- 100,000 CYCLES

DIELECTRIC STRENGTH:- 1000 Vrms

INSULTATION RESISTANCE:- 1 G Ω

CONTACT RESISTANCE:- 25m Ω
(INITIAL SWITCH ONLY)



4 x TRI-RATED SWITCH GEAR WIRE,
24/0.20mm (0.75mm), 20AWG. PVC. INSULATED.
2 x WHITE, NC TERMINALS.
2 x BLACK, NO TERMINALS.

TL. SWITCH No.	BUTTON COLOUR	RS PART No.
49-769020	RED	315-9751
49-769021	GREEN	315-9767
49-769022	BLACK	315-9773
49-769023	BLUE	315-9789

ISS	ECN	SIGN	DATE	ISS	ECN	SIGN	DATE
A	86767	BV	21.8.98
B	87064	BV	22.9.00
.
.

NOTICE
ALL RIGHTS RESERVED.
UNAUTHORISED USE,
DISCLOSURE OR
REPRODUCTION IN
WHOLE OR IN PART IS
STRICTLY PROHIBITED.

© 2000

ITW Switches & Connectors
 ITW Switches
 ITW Switchpanels
 ITW McMurdo Connectors
 ITW Pancon

Nonway Road
Hilsea
Portsmouth
Hants PO3 5HT
Tel: +44 (0)1705 894871
Fax: +44 (0)1705 868352
Internet: www.itwswitchcon.com

STANDARD TOLERANCES
NO PLACE DEC. ±0.5
1 PLACE DEC. ±0.2
2 PLACE DEC. ±0.1
DIAMETERS ±0.05
ANGULAR ±0.5°
UNLESS OTHERWISE STATED
SCALE: 2:1

MATERIAL
FINISH

DRAWN	DATE	SIGN	DATE
BV	21.8.98	<i>[Signature]</i>	21-9-00

TITLE SEALED PUSH
BUTTON SWITCH RS. TL.

DRAWING No
49-769020/23 Sht.1 A3