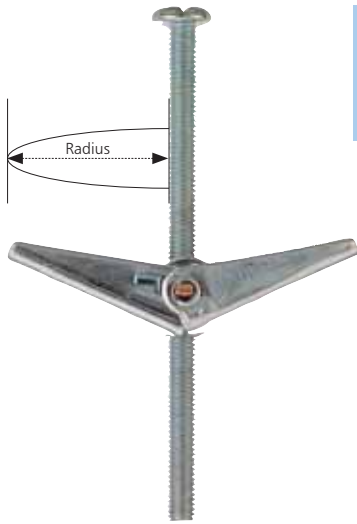


Product Information



TYPICAL APPLICATIONS

- Installing overhead lights, ceiling fans and other fixtures.

DESCRIPTION

Cavity fixing with long threaded screw, ideal for double thickness plasterboard and large fixtures.

SUITABLE FOR USE IN:

Plasterboard
Lathe and plaster
Plywood
Hardwood

FEATURES

1. Machine screw for ease of tightening.
2. Heavy gauge material for superior loads.
3. Spreads load over wide area for extra load capacity.
4. Heavy gauge nut to prevent stripping under load.

SPRING TOGGLE

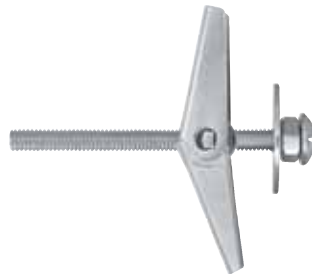
DESCRIPTION	HOLE DIAMETER (mm) (d _o)	MAX FIXTURE THICKNESS (mm) (T _{fix})	PRODUCT RADIUS (mm)	OPTIONS	QUANTITY	PRODUCT CODE		NEW CODE
						PACK	BOX	
M3 x 50	11	30	20	With screws	6	94-365		SPO-03050-10/6
M3 x 50	11	30		With screws	10		94-450	SPO-03050
M3 x 50	11	30		With screws	20	94-600		SPO-03050-5/20
M3 x 50	11	30		With screws	100		94-430	SPO-03050
M3	11	N/A		No screws	100		94-400	SPO-03
M5 x 50	14	24	25	With screws	6	94-369		SPO-05050-10/6
M5 x 50	14	24		With screws	10		94-456	SPO-05050
M5 x 50	14	24		With screws	20	94-650		SPO-05050-5/20
M5 x 50	14	24		With screws	100		94-436	SPO-05050
M5 x 80	14	54	25	With screws	6	94-371		SPO-05080-10/6
M5 x 80	14	54		With screws	10		94-459	SPO-05080
M5 x 80	14	54		With screws	20	94-680		SPO-05080-5/20
M5 x 80	14	54		With screws	100		94-439	SPO-05080
M5	14	N/A		No screws	100		94-406	SPO-05
M6 x 60	18	28	30	With screws	10		94-462	SPO-06060
M6 x 80	18	48		With screws	10		94-464	SPO-06080
M6 x 60	18	28		With screws	50		94-442	SPO-06060
M6 x 80	18	48		With screws	50		94-445	SPO-06080
M6	18	N/A		No screws	50		94-410	SPO-06

Spring Toggle Performance Data

MATERIAL	MAXIMUM RECOMMENDED LOAD		
	M3	M5	M6
Plasterboard 9.5mm	15 kg	16 kg	18 kg
Plasterboard 12.5mm	17 kg	18 kg	20 kg

Product Information

SPRING TOGGLE WITH PAN HEAD METRIC SCREW



DESCRIPTION	HOLE DIAMETER (mm) (d _o)	PACK QUANTITY	OUTER QUANTITY	PRODUCT CODE
M4 x 50	14	50	900	SPO450

SPRING TOGGLE WITH EYE



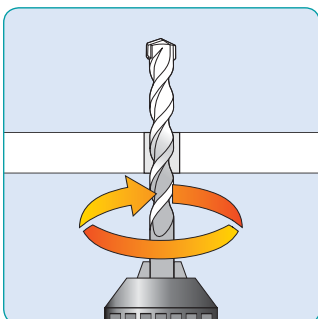
DESCRIPTION	HOLE DIAMETER (mm) (d _o)	PACK QUANTITY	OUTER QUANTITY	PRODUCT CODE
M4 x 75	14	50	900	SPO475Z

SPRING TOGGLE WITH ROUND HOOK

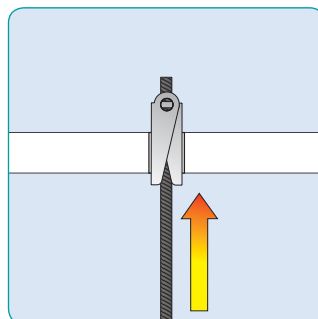


DESCRIPTION	HOLE DIAMETER (mm) (d _o)	PACK QUANTITY	OUTER QUANTITY	PRODUCT CODE
M4 x 75	14	50	900	SPO475

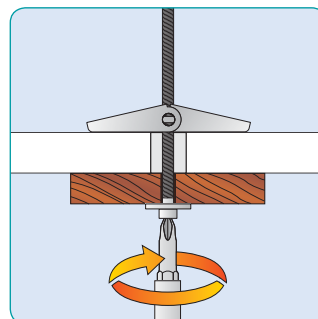
Installation



1. Drill a hole of the appropriate diameter.



2. Compress the 'wings' and push the fixing into the hole.



3. While tightening the screw, pull the fixture out from the wall or ceiling to prevent the 'wings' spinning freely.

