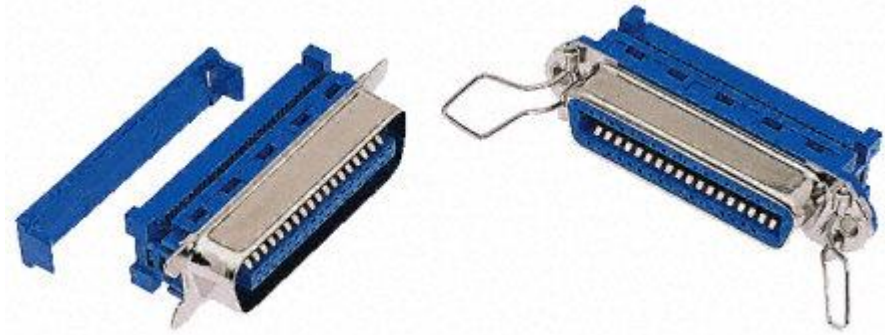


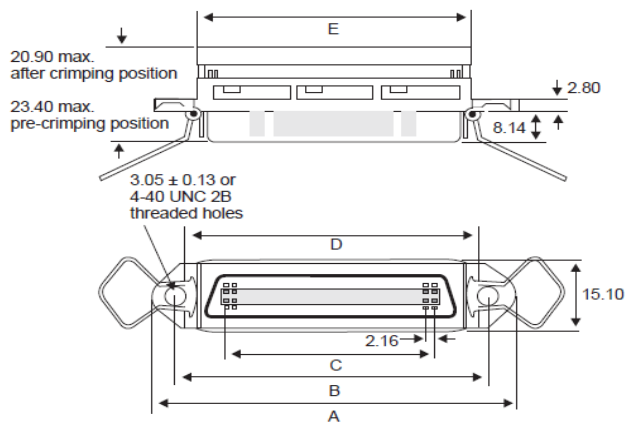
# Datasheet

## IEEE 448 50 way IDC Cable Mount Plug

RS Stock number 239-1263



### Dimensions: (mm)



Number of Positions	A	B	C	D	E	F	G	H
24	±0.25	±0.13	±0.13	±0.25	±0.25	±0.25	±0.25	±0.25
36	54.70	46.78	23.76	45.95	35.50	37.50	48.60	55.42
50	67.80	59.74	36.72	58.80	53.30	54.40	61.60	68.38
	82.80	74.85	51.84	74.25	68.50	70.50	76.70	83.50

### Specifications

- Shell: Steel, Nickel over copper plated
- Insulator: UL94V-0
- Contacts: Brass alloy gold plated on contact tin plated
- Current rating: 1 AMP
- Contact Resistance: < 25m ohm
- Insulation Resistance: > 1000 ohm at 500V
- Operating temperature range: -55°C to +105°C