



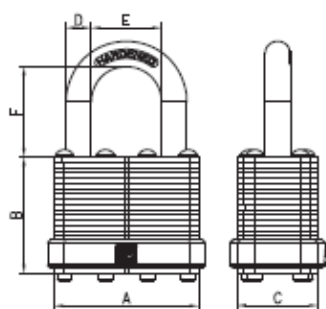
Datasheet

7816017 - Laminated Steel Body Padlock 40 mm

ENGLISH



Dimensions:



Item	Lock Body Dimension(mm)		
	A	B	C
7816017	40	32	23

Shackle Dimension(mm)		
D	E	F
7	20	25

Product Description:

- Laminated steel body for superior strength
- Hardened steel shackle for superior cut resistance
- Pin tumbler structure for great pick resistance test
- Dual locking levers provide extra pry resistance