



MASTERLine ES

MASTERLine ES 35W GU5.3 12V 24D 1CT

Low-voltage halogen burner with very high energy efficiency and long lifetime thanks to IRR coating in glass reflector. Ideal solution for small decorative luminaires, putting your objects in the spotlight. Dichroic coating prevents heat transmission onto the object.

Product data

• General Characteristics

Philips Code	18139
ANSI Code Halogen	na [-]
Cap-Base	GU5.3
Bulb	MR16 [MR 16inch/50mm]
Operating Position	any [Any or Universal (U)]
Life to 50% failures	5000 hr

• Light Technical Characteristics

Beam Angle	24 D
Beam Angle Technical	24 D
Luminous Intensity	4100 (max) cd
Color Rendering Index	100 Ra8
Color Temperature	3000 K
Color Temperature Technical	3000 K

• Electrical Characteristics

Lamp Wattage	35 W
Lamp Wattage Technical	35 W
Voltage	12 V
Lamp Current	2.92 A
Dimmable	Yes

• Luminaire Design Requirements

Cap-Base Temperature	380 (max) C
----------------------	-------------

Bulb Temperature 380 (max) C

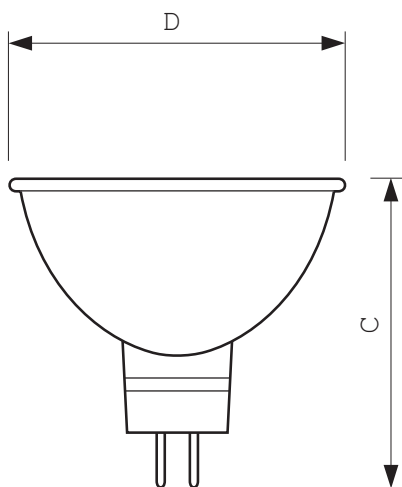
• Product Dimensions

Overall Length C	50.5 (max) mm
Overall Length Rim C1	50.5 (max) mm
Diameter D	51 (max) mm

• Product Data

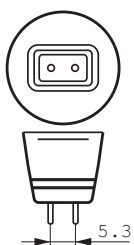
Order code	924895617101
Full product code	924895617101
Full product name	MASTERLine ES 35W GU5.3 12V 24D 1CT
Order product name	MASTERL ES 35W GU5.3 12V 24D 1CT/4X5F
Pieces per pack	1
Packing configuration	4X5F
Packs per outerbox	20
Bar code on pack - EAN1	8711500413970
Bar code on intermediate packing - EAN2	8711500424303
Bar code on outerbox - EAN3	8711500410146
Logistic code(s) - 12NC	924895617101
ILCOS code	HRGS-35-12-GU5.3-50/24
Net weight per piece	30.000 gr

Dimensional drawing



Energy Advantage IR 35W 12V MR16 24D 1CT

Product	C1 (Max)	D (Max)
MLES 18139 35W GU5.3 12V MR16 24D	50.5	51



GU5.3



© 2013 Koninklijke Philips Electronics N.V.
All rights reserved.

Specifications are subject to change without notice. Trademarks are the property of Koninklijke Philips Electronics N.V. or their respective owners.

www.philips.com/lighting

2013, February 9
data subject to change