



ENGLISH

Datasheet

## RS Pro 13A 1 Gang Surface Mount Fused Connection Unit

RS Stock No: **668-3664**



### Product Details

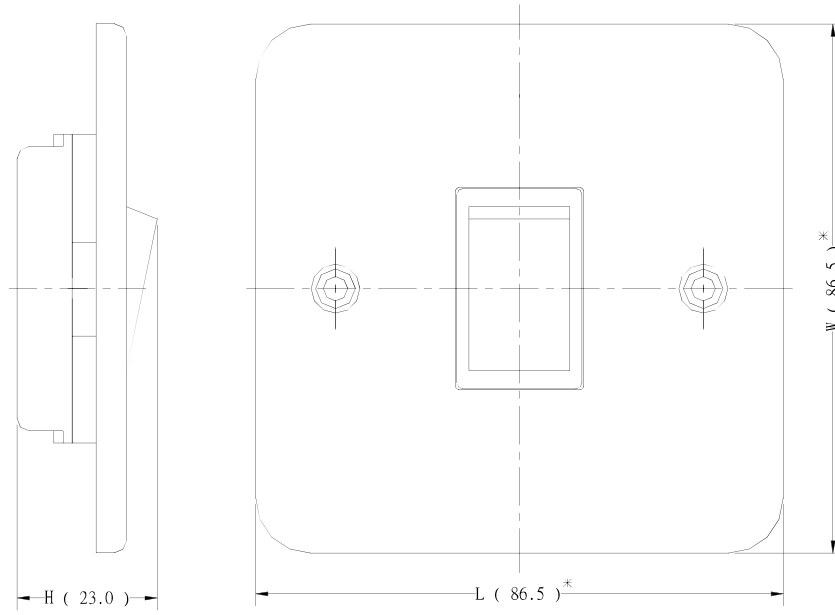
RS Pro 13 A 1-gang surface mount fused connection unit is manufactured from mild steel for durability. The fuse carrier can be locked open to ensure isolation under maintenance. It is suitable for industrial, commercial and workshop applications. The fused connection unit meets BS5733 standards.

### Features and Benefits

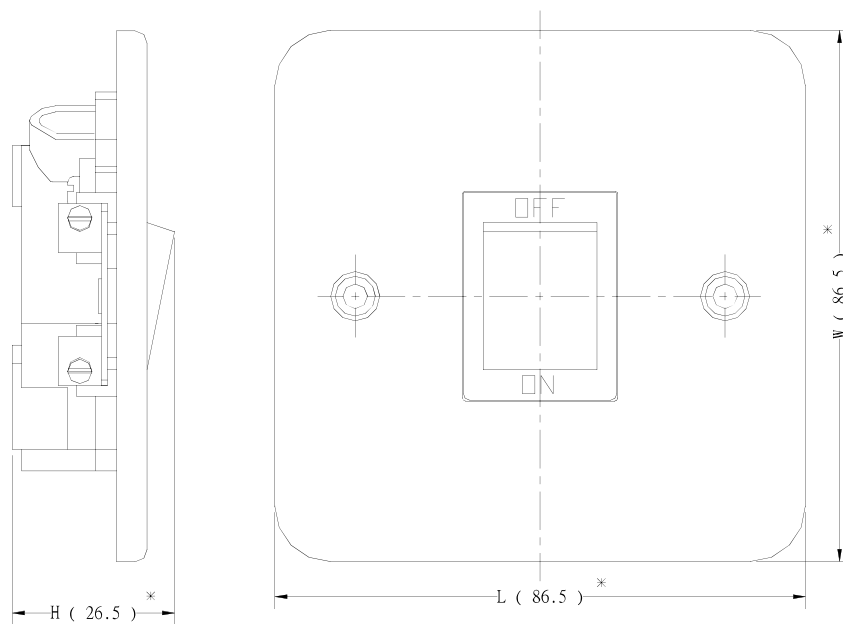
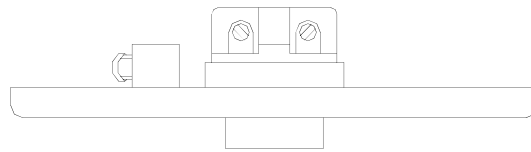
- Made from mild steel
- Ideal for industrial, commercial and workshop applications
- BS5733

**Specifications:**

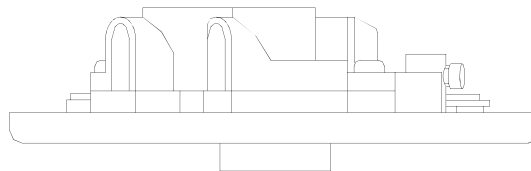
Current Rating	13 A
Depth	25.5 mm
Dimensions (L x W x D)	86.5 x 86.5 x 25.5 mm
Fuse Type	BS 5733
Length	86.5 mm
Minimum Box Depth	25.5 mm
Mounting Style	Surface Mount
Number of Gangs	1
RCD Type	None
Width	86.5 mm

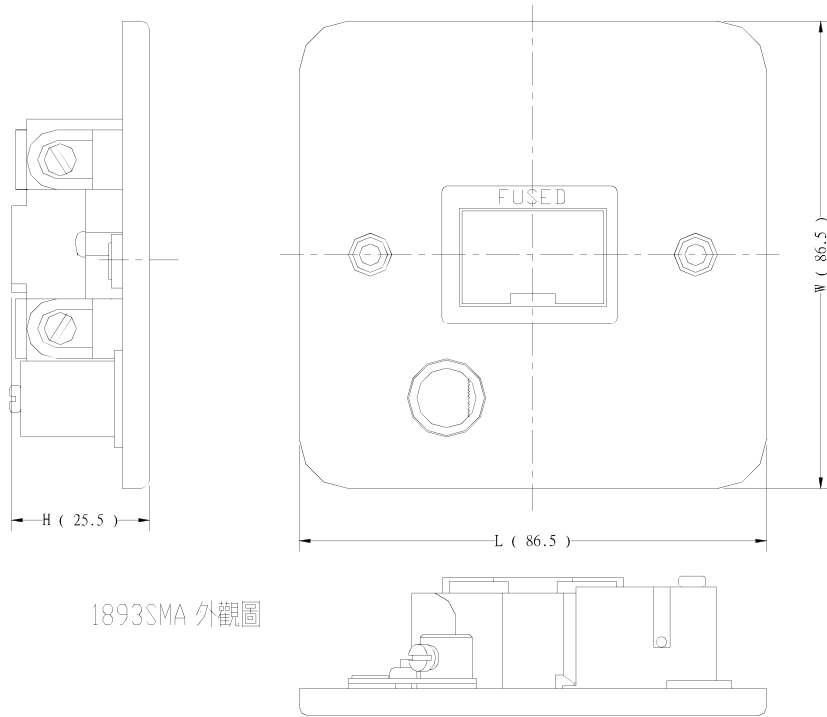


8181MA 外觀圖

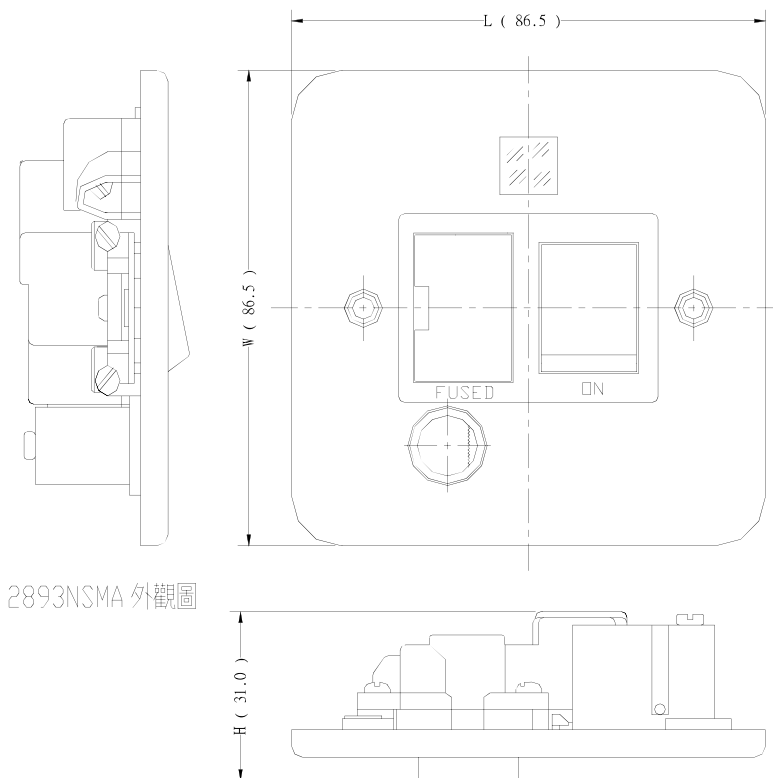


8184MA 成品外觀圖

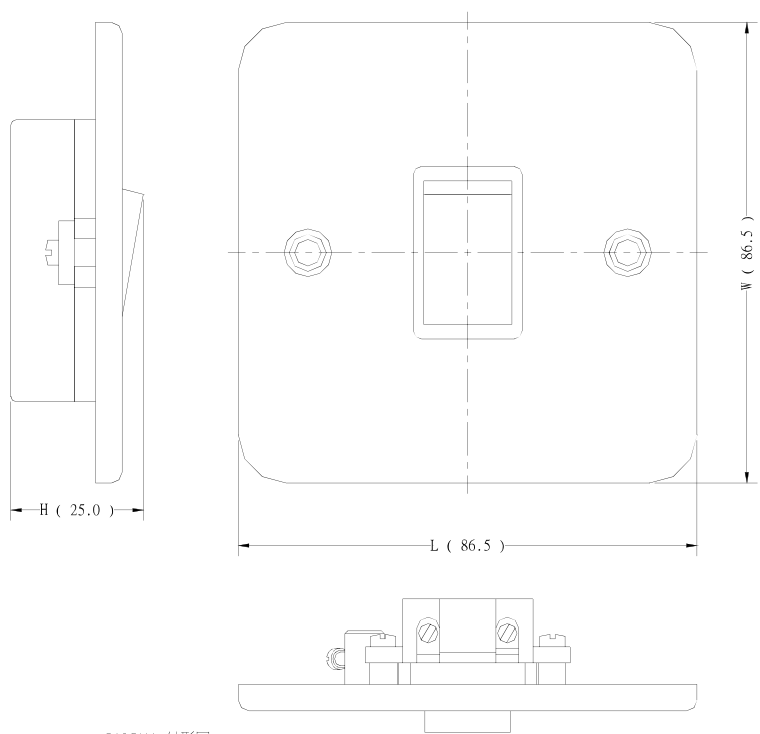
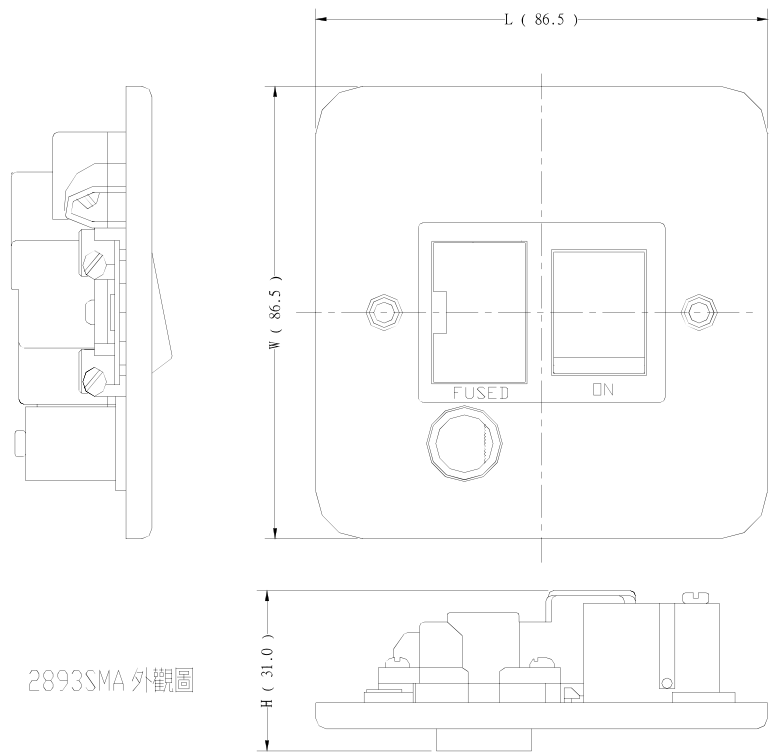


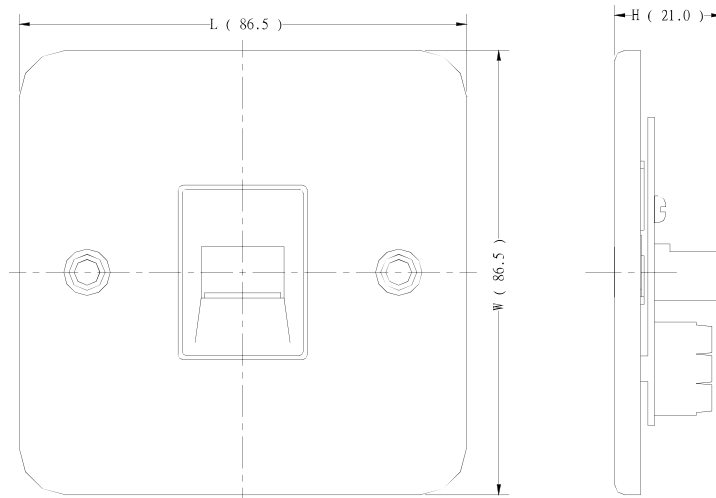
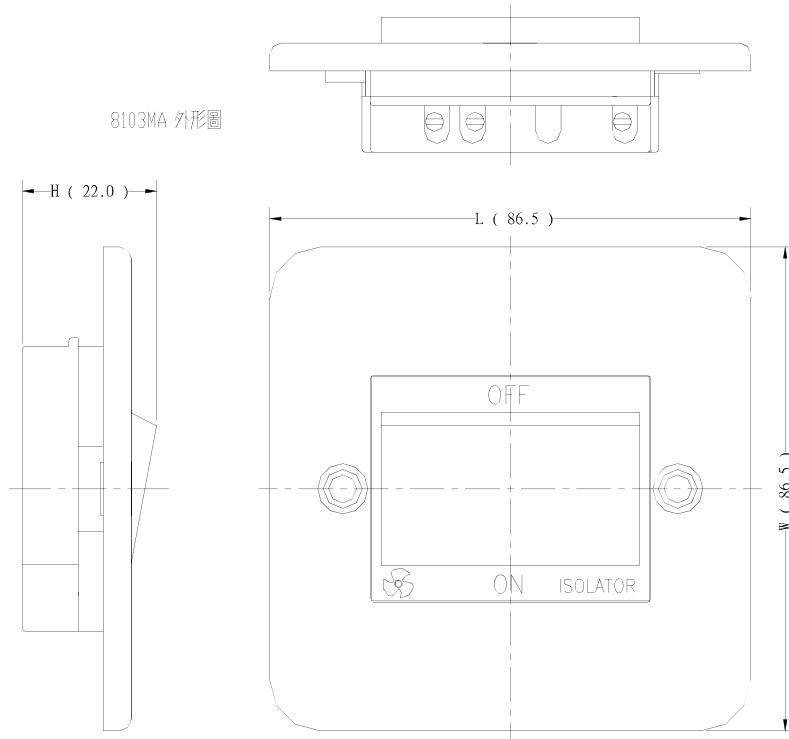


1893SMA 外觀圖

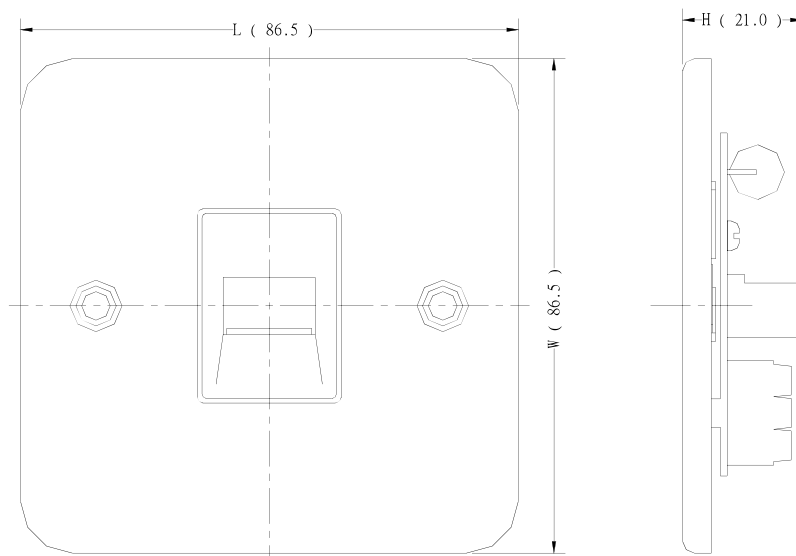


2893NSMA 外觀圖





7183S/MA 成品圖



7183M/MA 成品圖

Part No.	L	W	H
8184/MA	86.5	86.5	26.5
1893S/MA	86.5	86.5	25.5
8181/2W/MA	86.5	86.5	23.0
2893S/MA	86.5	86.5	31.0
2893NS/MA	86.5	86.5	31.0
7183M/MA	86.5	86.5	21.0
7183S/MA	86.5	86.5	21.0
8102/MA	86.5	86.5	25.0
8103/MA	86.5	86.5	22.0