

- > **Port size: 3/8" ... 3/4" (ISO G/NPT)**
- > **High efficiency oil and particle removal**
- > **Excelon design allows in-line installation or modular installation with other Excelon products**
- > **Quick release bayonet bowl**
- > **Service indicator standard**



Technical features

Medium:

Compressed air only

Maximum operating pressure:

Transparent bowl:

10 bar (145 psi)

Metal bowl:

17 bar (250 psi)

Remaining oil content:

0,01 mg/m³ at +21°C (69°F)

Particle removal:

To 0,01 µm

Port size:

G3/8, G1/2, G3/4

3/8 PTF 1/2 PTF , 3/8 PTF

Flow:

Maximum flow to maintain stated oil removal performance

F74C: 16 dm³/s, F74H 28 dm³/s at port size: 1/2"

Operating pressure: 6,3 bar (91 psi)

Drain:

Manual, automatic

Automatic drain operating conditions (float operated):

Bowl pressure required to close drain: > 0,35 bar (5 psi)

Bowl pressure required to open drain: ≤ 0,2 bar (2.9 psi)

Minimum air flow required to close drain: 1 dm³/s (2 scfm)

Manual operation: depress pin inside drain outlet to drain bowl

Ambient/Media temperature:

Transparent bowl:

-34 ... +50°C (-29 ... +122°F)

Metal bowl:

-34 ... +65°C (-29 ... +149°F)

Air supply must be dry enough to avoid ice formation at temperatures below +2°C (+35°F).

Materials:

Body: Die cast aluminium

Bowl: Transparent PC with steel guard or die cast aluminium



Element: Synthetic fibre & PE foam

Elastomers: CR & NBR

Note:

Install an F74G filter with a 5 µm filter element upstream of the F74C/H filter for maximum service life.

Technical data - standard models

Symbol	Port size	Size	Drain	Bowl with guard	Weight (kg)	Model
	G3/8		Manual	PC (transparent)	0,85	F74C-3GD-QP0
	G1/2	Basic	Manual	PC (transparent)	0,83	F74C-4GD-QP0
	G1/2	Basic	Manual	PC (transparent)	1,11	F74H-4GD-QP0
	G3/4		Manual	PC (transparent)	1,10	F74H-6GD-QP0
	G3/8		Automatic	PC (transparent)	0,85	F74C-3GD-AP0
	G1/2	Basic	Automatic	PC (transparent)	0,83	F74C-4GD-AP0
	G1/2	Basic	Automatic	PC (transparent)	1,11	F74H-4GD-AP0
	G3/4		Automatic	PC (transparent)	1,10	F74H-6GD-AP0

Option selector

F74★-★-★-★-★0

Series	Substitute
Standard *1)	C
High flow *2)	H
Port size	Substitute
3/8"	3
1/2"	4
3/4"	6
Thread form	Substitute
PTF	A
ISO G parallel (standard)	G
Service life indicator	Substitute
With (visual, standard)	D
Without	N

Bowl	Substitute
Metal	D
Transparent with guard (standard)	P
Drain	Substitute
Manual	Q
Automatic	A

*1) available with 3/8 or 1/2" ports

*2) available with 1/2 or 3/4" ports

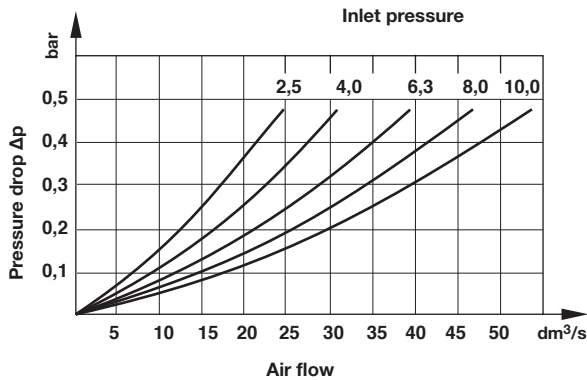
Typical performance characteristics

Inlet pressure (bar)	Maximum flow dm ³ /s*	
	F74C	F74H
1	6,4	11,2
3	11	19,3
5	14,3	24,9
6,3	16	28
7	16,9	29,5
9	19,1	33,5

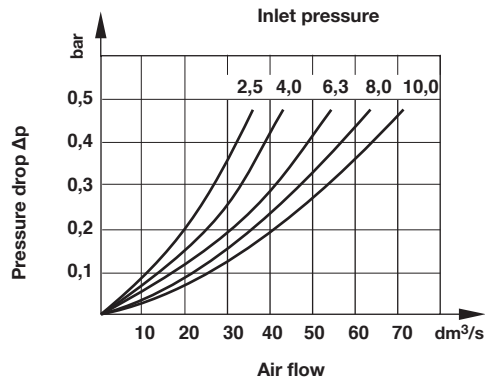
* Maximum flow to maintain stated oil removal performance

Flow characteristics

F74C
Port size 1/4"
Dry element



F74H
Port size 1/4"
Dry element



Accessories

Wall mounting bracket	Quikclamp®	Quikclamp with wall bracket®	Quikmount pipe adaptor *1)	Porting block with three alternative 1/4" ports	2/2 Shut-off valves (for full technical specification see datasheet 8.200.600)	3/2 Shut-off valves (for full technical specification see datasheet 8.200.600)
Page 4	Page 3	Page 3	Page 3	Page 3	Page 4	Page 4
4324-50	4314-51	4314-52	G3/8: 4315-10 G1/2: 4315-11 G3/4: 4315-12 3/8 PTF: 4315-02 1/2 PTF: 4315-03 3/4 PTF: 4315-04	G1/4: 4316-52 1/4 PTF: 4316-50	G 3/8: T74B-3GA-P1N G 1/2: T74B-4GA-P1N G 3/4: T74B-6GA-P1N	G 3/8: T74T-3GA-P1N G 1/2: T74T-4GA-P1N G 3/4: T74T-6GA-P1N 1/2 PTF: T74T-4AA-P1N 3/4 PTF: T74T-6AA-P1N

*1) Please use a Quikmount pipe adaptor if the Quikclamp be mounted at inlet or outlet side.

Pressure switch

Porting block for pressure switch



Page 4

0523110000000000

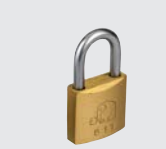
Pressure switch (0,5 ... 8 bar)



0881300000000000

Padlock

Padlock (brass) with two keys *1)



0613633000000000

*1) for shut-off valves

Service kits

Manual drain



F74H-KITM0C

F74C-KITM0C

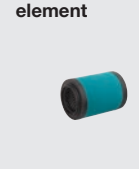
Automatic drain



F74H-KITA0C

F74C-KITA0C

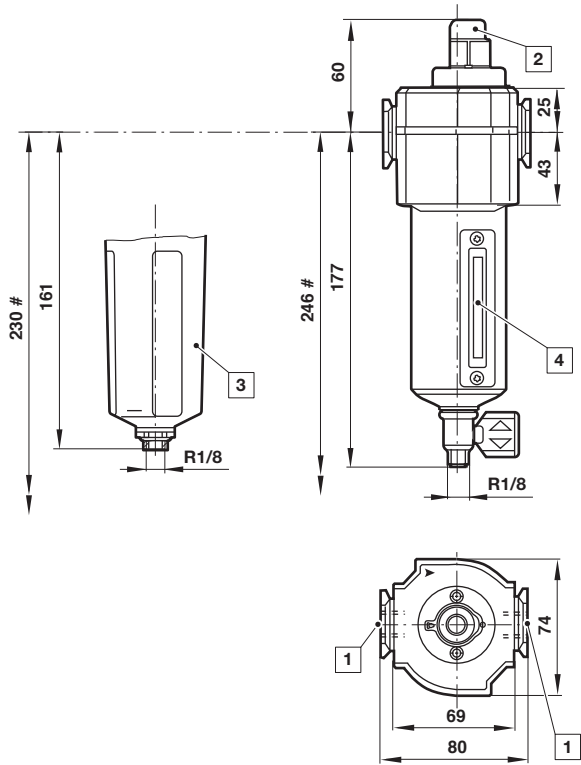
Replacement element



4344-02

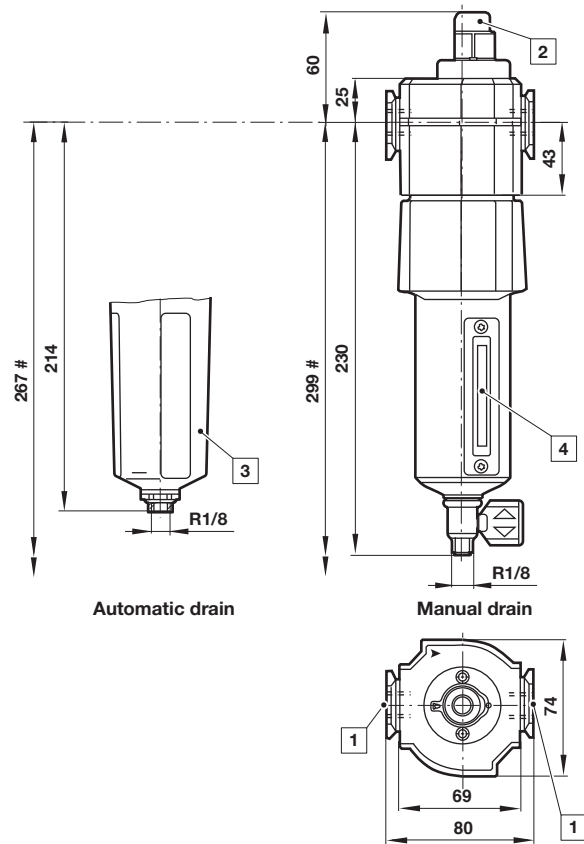
4344-01

Drawings
F74C



F74H

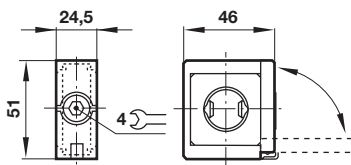
Dimensions in mm
Projection/First angle



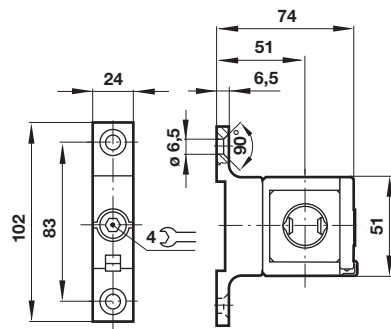
Minimum clearance required to remove bowl

- 1 Main ports 3/8", 1/2" or 3/4"
- 2 Service life indicator
- 3 Transparent bowl with guard
- 4 Metal bowl with liquid level indicator lens

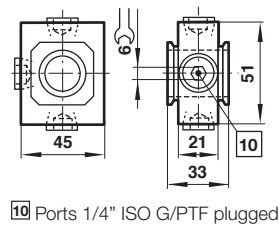
Accessories
Quikclamp®



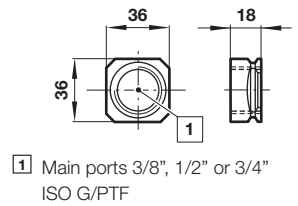
Quikclamp® with wall bracket



Porting block



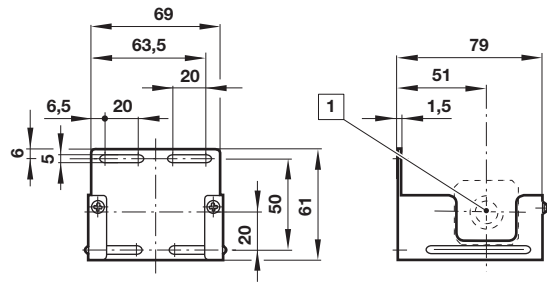
Pipe adapter



1 Main ports 3/8", 1/2" or 3/4" ISO G/PTF

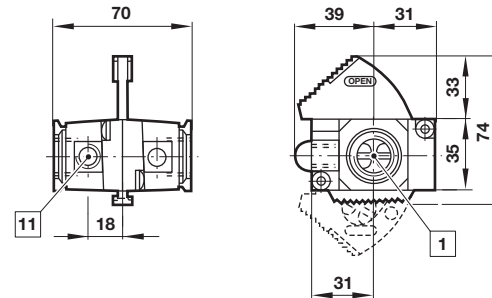
10 Ports 1/4" ISO G/PTF plugged

Wall mounting bracket



1 Main ports

Shut-off valves

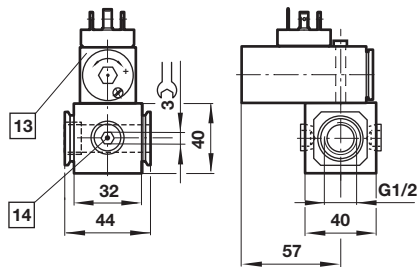


1 Main ports 3/8", 1/2" or 3/4" ISO G/PTF
11 Exhaust port 1/8"

Dimensions in mm
Projection/First angle



Porting block for pressure switch



13 Pressure switch is not in scope of delivery
14 Alternative G1/4 ports plugged

Warning

These products are intended for use in industrial compressed air systems only. Do not use these products where pressures and temperatures can exceed those listed under »**Technical features/data**«.

Before using these products with fluids other than those specified, for non-industrial applications, life-support systems or other applications not within published specifications, consult IMI NORGREN.

Through misuse, age, or malfunction, components used in fluid power systems can fail in various modes.

The system designer is warned to consider the failure modes of all component parts used in fluid power systems and to provide adequate safeguards to prevent personal injury or damage to equipment in the event of such failure.

System designers must provide a warning to end users in the system instructional manual if protection against a failure mode cannot be adequately provided.

System designers and end users are cautioned to review specific warnings found in instruction sheets packed and shipped with these products.