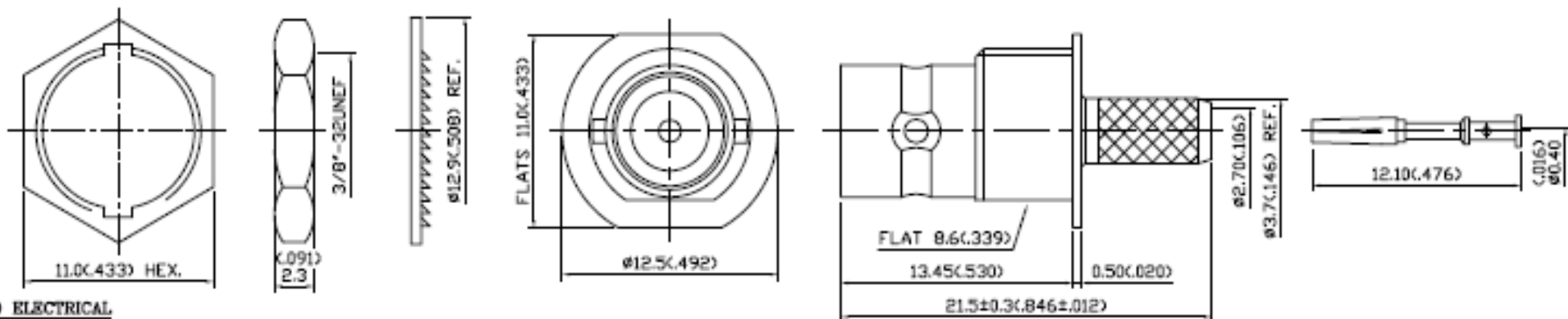


NO	DESCRIPTION	DATE
△	MODIFICATION STRIPPING DIMENSION	05.03.07'
△	INSULATION — TEFLON	10.25.07'
△	BACKGROUND FORMAT UPDATED	08.28.08'
△	DEL CABLE RETENTION	06.10.10'



1.0 ELECTRICAL

- 1.1 FREQUENCY RANGE: DC-2 GHz
- 1.2 NOMINAL IMPEDANCE: 75 OHMS
- 1.3 WORKING VOLTAGE: 300 VOLTS MAX.
- 1.4 PROOF VOLTAGE: 1000 VOLTS
- 1.5 VSWR: 1.1 Max@750 MHz
- 1.16 Max@1 GHz

2.0 MATERIALS

- 2.1 BODIES: BRASS PER JIS-C3604
- 2.2 CENTER CONTACT: PHOSPHOR BRONZE JIS-H3270
- 2.3 INSULATION: TEFLON PER ASTM D1457 AND ASTM D1710
- 2.4 CRIMP FERRULE: BRASS PER JIS-C2700

3.0 FINISHES AND OTHERS

- 3.1 SEE BELOW TABLE FOR DETAILS.

4.0 MECHANICAL

- 4.1 FOR USE WITH HELDEN 736A OR SIMILAR STYLE CABLE
- 4.2 CRIMP SIZE REQUIRED: CONTACT: SOLDER/CRIMP
CONTACT: 0.71(.028) SQ. CRIMP TOOL
FERRULE: 4.0(.161) HEX. CRIMP TOOL
3.5(.138) HEX. CRIMP TOOL

5.0 ENVIRONMENTAL

- 5.1 OPERATING TEMPERATURE RANGE: -40° C TO +85° C

9	CRIMP FERRULE	BRASS	1	NICKEL
8	SLEEVE	BRASS	1	NICKEL
7	BUSHING	TEFLON	1	NONE
6	CENTER CONTACT	PHOSPHOR BRONZE	1	GOLD
5	CHASSIS	BRASS	1	NICKEL 100μ" MIN.
4	BODY	BRASS	1	NICKEL 100μ" MIN.
3	INSULATION	TEFLON	1	NONE
2	WASHER	STEEL	1	NICKEL
1	NUT	BRASS	1	NICKEL
NO	DESCRIPTION	MATERIAL	Q'TY	FINISH



APPROVED

by _____ DATE: _____

DESCRIPTION		MINI BNC STRAIGHT BULKHEAD JACK CRIMP	
製圖	DRAWN	TOLERANCE	品名
Yoko	X	±0.2	56-02 T.G.N 179U
檢圖	CHECK	.XX	DATE
Arc	.XX	±0.1	04.11.07'
認定	APPROVAL	.XXX	版次
Lewis	ANGLE	±5°	A-4
TITLE		單位	REV.
\ROHS COMPLIANT (750)		mm(In)	
DWG.NO.		SCALE	
56-0004		4:1	