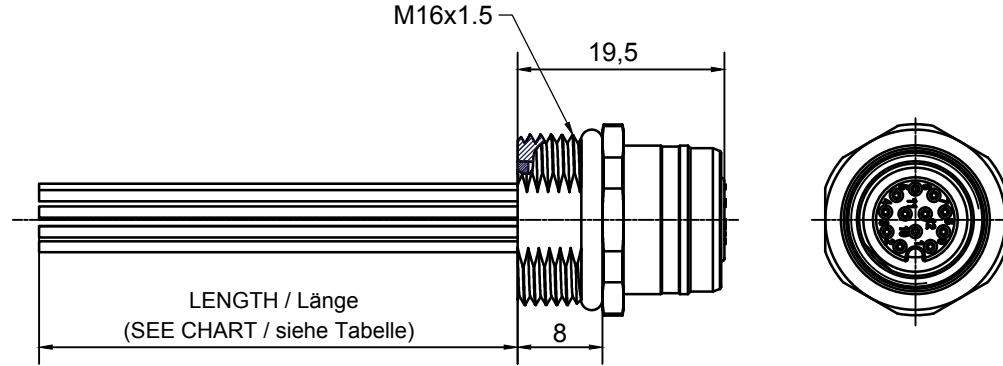
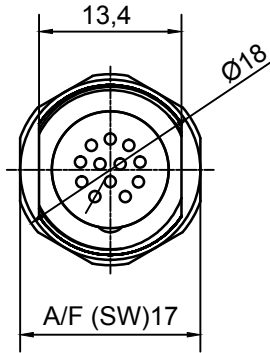


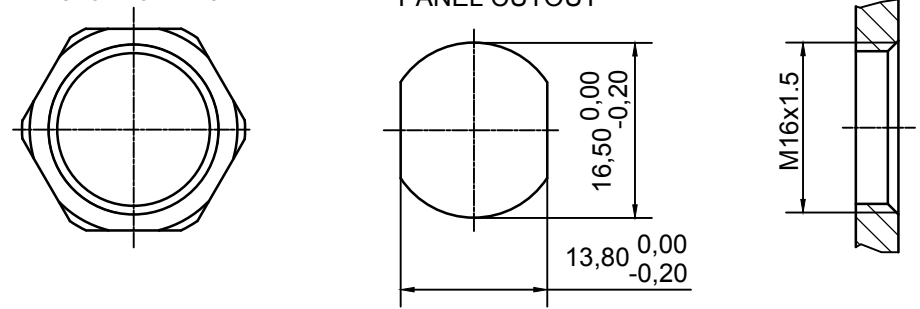
WIRING DIAGRAM

- 1 WH - WHITE
- 2 BN - BROWN
- 3 GN - GREEN
- 4 YE - YELLOW
- 5 GY - GREY
- 6 PK - PINK
- 7 BU - BLUE
- 8 RD - RED
- 9 BK - BLACK
- 10 VT - VIOLET
- 11 GYPK - GREY/PINK
- 12 RDBU - RED/BLUE

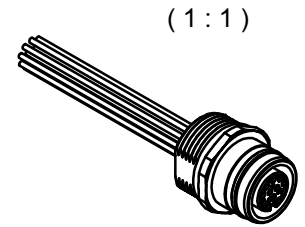


LOCK NUT M16x1.5
P/N: 0900 00090 00010
 LOCK NUT NEEDS TO BE ORDER SEPARATE

PANEL CUTOUT



PART-NUMBER	ENGINEERING NO.	LENGTH
Teile-Nummer	Artikel-Nummer	Länge
1200845012	WRCU20E01C200	200 mm
1200845013	WRCU20E01C300	300 mm



GENERAL CHARACTERISTICS				STANDARD	
Allgemeine Kennwerte				Norm	
NUMBER OF CONTACTS	Polzahl			IEC 947-5-2	12
CONTACT CONFIGURATION	Kontaktanordnung				
RATED VOLTAGE	Bemessungsspannung	IEC 664	30V AC / DC		
POLLUTION DEGREE	Verschmutzungsgrad	IEC 664	3		
CURRENT CARRYING CAPACITY	Betriebsstrom	IEC 512-3 Test 5 b	1,5A		
CONTACT RESISTANCE	Durchgangswiderstand	IEC 512-2 Test 2 A	< 5mOhm		
RATED UMPULSE WITHSTAND VOLTAGE	Bemessungsstoßspannung	IEC 664	0,8 kV		
TEST VOLTAGE	Prüfspannung	IEC 60512-2 Test 4 A	0,5 kV / 60 sec		
INSULATION RESISTANCE	Isolationswiderstand	IEC 512-2 Test 3 A	> 100 MOhm		
IP DEGREE OF PROTECTION	IP - Schutzart	IEC 529	IP 67		
PIN DIAMETER	Stift Durchmesser		0,6mm		
MATERIALS	CONTACTS	Werkstoffe	Kontakte	COPPER ALLOY / Kupferlegierung	
	CONTACTS PLATING		Kontaktoberfläche	Ni/Au	
	DIELECTRIC MATERIAL		Kontaktträger	PA 6.6	
	GASKETS (O-RING)		Dichtung (O-Ring)	NBR	
	HOUSING		Gehäuse	CuZn (BRASS) WTH/mit NICKEL-PLATED / Ni-Oberfläche	
TERMINATION	Anschlußart		CRIMP		
FLAMM-ABILITY	INSERTS	Brennbarkeit	Kontaktträger	UL 94	V-0
	CABLE		Leitung / Kabel		VDE 0472 / 804
MECHANICAL OPERATION	Mechanische Lebensdauer		100 MATING CYCLES / Steckzyklen		
TEMPERATURE RANGE	Temperaturbereich	IEC 60668-1	-25°C / +90°C		

DESCRIPTION	QUALITY SYMBOLS	GENERAL TOLERANCES (UNLESS SPECIFIED)		DIMENSION STYLE		SCALE	DESIGN UNITS	THIRD ANGLE PROJECTION
		mm	INCH	MM ONLY				
DESCRIPTION EC NO: IPG2012-0277 DRWN: BBRAUCH 2012/01/23 CHKD: REISSNER APPR: REISSNER 2012/02/15	▼ = 0 ▽ = 0	4 PLACES	±---	±---	±---	DRAWN BY DATE BBRAUCH 2012/01/23 CHECKED BY DATE REISSNER 2012/01/24 APPROVED BY DATE REISSNER 2012/02/15 MATERIAL NO.	METRIC	
		3 PLACES	±---	±---	±---			
		2 PLACES	±---	±---	±---			
		1 PLACE	±0.3	±---	±---			
		ANGULAR		± 1°				
DRAFT WHERE APPLICABLE MUST REMAIN WITHIN DIMENSIONS		see table		DOCUMENT NO. SD-120084-142 SHEET NO. 1 OF 1				
1		A3		THIS DRAWING CONTAINS INFORMATION THAT IS PROPRIETARY TO MOLEX INCORPORATED AND SHOULD NOT BE USED WITHOUT WRITTEN PERMISSION				

REC U12 12P AC FE STR XM
 M16 WIR SE SHLD BK

MOLEX INCORPORATED