

**Legend plate label mount**

Part no. **M22S-ST-GB6**
Article no. **216496**

*Powering Business Worldwide™*

Catalog No. **M22S-ST-GB6Q**

Delivery programme

Product range			RMQ-Titan (drilling dimensions 22.5 mm)
Basic function			Accessories
Basic function accessories			Legend holder
Single unit/Complete unit			Single unit
			Complete
Width		mm	30
Height		mm	50
Design			Round
Colour			
			Black
RAL Value			RAL 9005
Inscription			ON
Protection type			IP66
Connection to SmartWire-DT			no

Approvals

North America Certification

UL/CSA certification not required

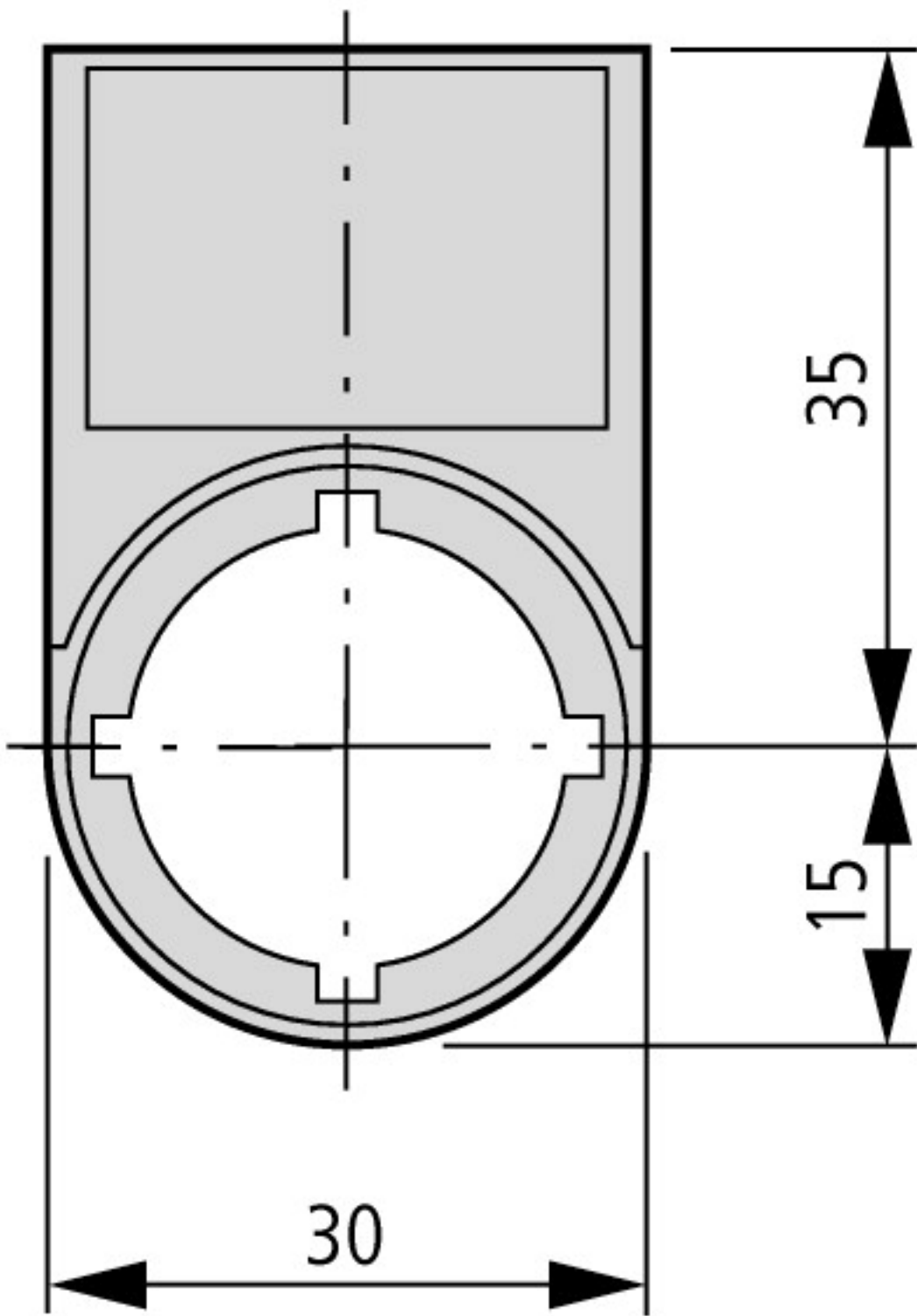
Technical data ETIM 5.0

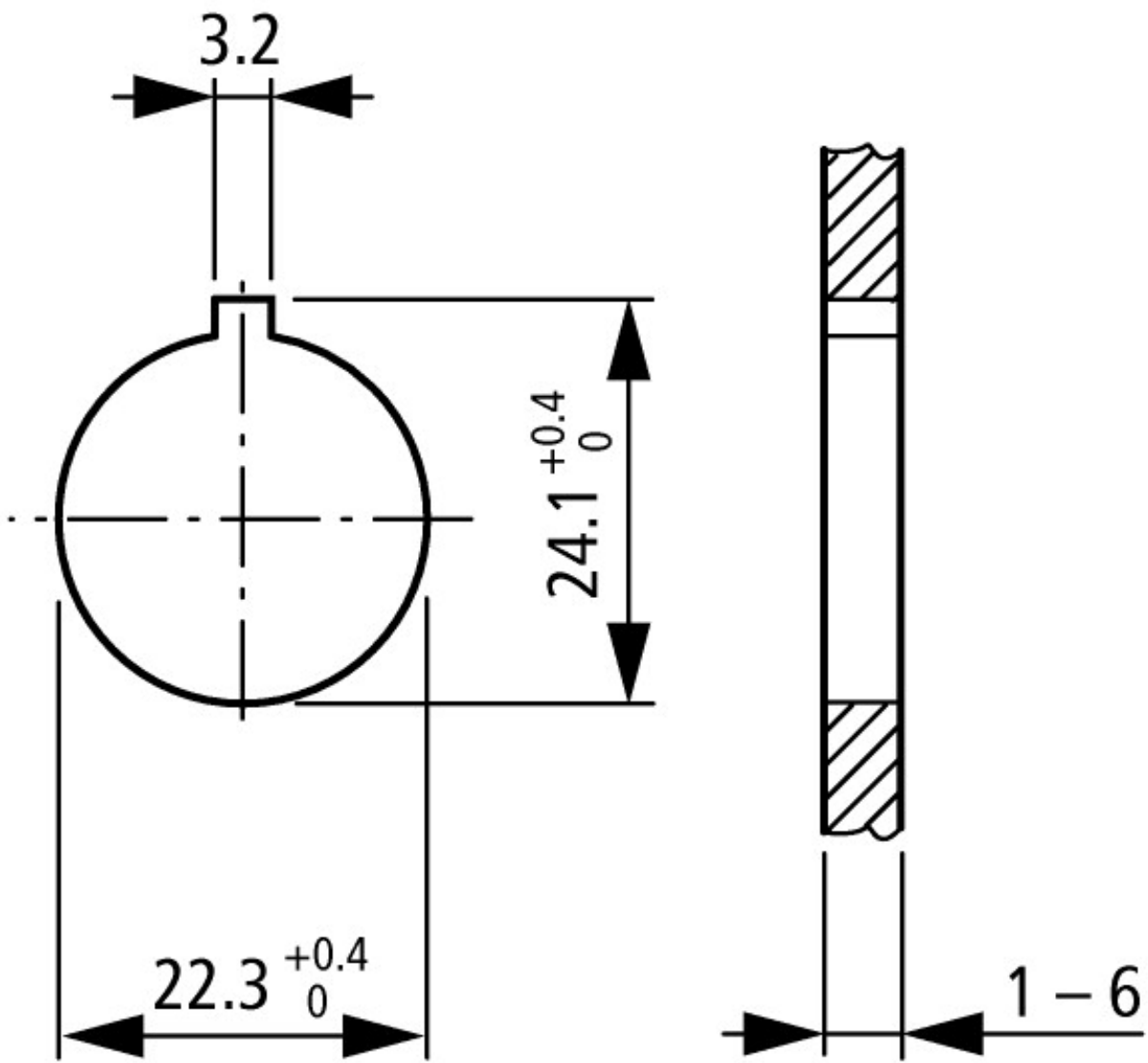
Low-voltage industrial components (EG000017) / Text plate holder for control circuit devices (EC001032)

Electric engineering, automation, process control engineering / Low-voltage switch technology / Command and alarm device / Sign carrier for command devices (ecl@ss8-27-37-12-29 [AKF047010])

Width		mm	30
Height		mm	50
Hole diameter		mm	22
Width opening		mm	22
Height meter opening		mm	0
Colour			Black
Shape			Rectangular

Dimensions





Mounting hole with lug slot

Actuating and indicator elements

Additional product information (links)

IL04716002Z (AWA1160-1745) RMO-Titan System

IL04716002Z (AWA1160-1745) RMO-Titan System

ftp://ftp.moeller.net/DOCUMENTATION/AWA_INSTRUCTIONS/IL04716002Z2013_08.pdf