

## Interface module - DFLK-D15 SUB/B - 2280307

Please be informed that the data shown in this PDF Document is generated from our Online Catalog. Please find the complete data in the user's documentation. Our General Terms of Use for Downloads are valid (<http://download.phoenixcontact.com>)




The VARIOFACE feed-through module implements a 1:1 connection between screw connection terminal blocks and a D-SUB miniature socket strip (number of positions: 15). A separate ground tap is available.

### Why buy this product

- 9 to 50-pos.
- 9 to 37-pos.: separate ground tap
- 50-pos.: no ground tap
- According to IEC 60807-2
- Screw connection
- 1:1 connection
- D-SUB 4-40 UNC thread



### Key commercial data

Packing unit	5 pc
GTIN	 4 017918 054410
Weight per Piece (excluding packing)	0.64 g
Custom tariff number	85369010
Country of origin	Germany

### Technical data

#### Dimensions

Width	39 mm
Height	58.4 mm
Depth	33 mm

#### Ambient conditions

Ambient temperature (operation)	-20 °C ... 50 °C
Ambient temperature (storage/transport)	-20 °C ... 70 °C

#### General

Nominal voltage $U_N$	125 V AC/DC
-----------------------	-------------

## Interface module - DFLK-D15 SUB/B - 2280307

### Technical data

#### General

Max. current carrying capacity per branch	2.5 A
Max. total current of all branches	37.5 A
Number of positions	15
Status display	No
Mounting position	any
Assembly instructions	In rows with zero spacing
Standards/specifications	Air and creepage distances DIN EN 50178
Pollution degree	2
Surge voltage category	II
Rated surge voltage	1.2 kV
Rated insulation voltage	125 V

#### Connection data for connection 1

Connection name	Field level
Connection in acc. with standard	IEC / EN
Connection method	Screw connection
Conductor cross section solid min.	0.2 mm <sup>2</sup>
Conductor cross section solid max.	4 mm <sup>2</sup>
Conductor cross section stranded min.	0.2 mm <sup>2</sup>
Conductor cross section stranded max.	2.5 mm <sup>2</sup>
Conductor cross section AWG/kcmil min.	24
Conductor cross section AWG/kcmil max	12
Stripping length	8 mm
Screw thread	M3

#### Connection data for connection 2

Connection name	Control system level
Connection method	D-SUB socket strip
Number of positions	15

### Classifications

#### eCl@ss

eCl@ss 4.0	27250313
eCl@ss 4.1	27250313
eCl@ss 5.0	27250313
eCl@ss 5.1	27250313
eCl@ss 6.0	27242608
eCl@ss 7.0	27141152
eCl@ss 8.0	27141152

# Interface module - DFLK-D15 SUB/B - 2280307

## Classifications

### ETIM

ETIM 2.0	EC001434
ETIM 3.0	EC001604
ETIM 4.0	EC001604
ETIM 5.0	EC002780

### UNSPSC

UNSPSC 6.01	30211824
UNSPSC 7.0901	39121421
UNSPSC 11	39121421
UNSPSC 12.01	39121421
UNSPSC 13.2	39121421

## Approvals

### Approvals

---

#### Approvals

UL Recognized / cUL Recognized / GOST / cULus Recognized

---

#### Ex Approvals

---

#### Approvals submitted

---

## Approval details

UL Recognized	
mm <sup>2</sup> /AWG/kcmil	30-12
Nominal current I <sub>N</sub>	2.5 A
Nominal voltage U <sub>N</sub>	125 V

cUL Recognized	
mm <sup>2</sup> /AWG/kcmil	30-12
Nominal current I <sub>N</sub>	2.5 A

## Interface module - DFLK-D15 SUB/B - 2280307

### Approvals

Nominal voltage UN	125 V
--------------------	-------



### Accessories

#### Accessories

#### System cable

Cable - CABLE-D15SUB/B/S/ 50/KONFEK/S - 2302052



Round shielded cable set, with 15-pos. D-SUB female and male connectors, cable length: 0.5 m

Cable - CABLE-D15SUB/B/S/100/KONFEK/S - 2302065



Round shielded cable set, with 15-pos. D-SUB female and male connectors, cable length: 1 m

Cable - CABLE-D15SUB/B/S/150/KONFEK/S - 2302078



Round shielded cable set, with 15-pos. D-SUB female and male connectors, cable length: 1.5 m

Cable - CABLE-D15SUB/B/S/200/KONFEK/S - 2302081



Round shielded cable set, with 15-pos. D-SUB female and male connectors, cable length: 2 m

## Interface module - DFLK-D15 SUB/B - 2280307

### Accessories

---

Cable - CABLE-D15SUB/B/S/300/KONFEK/S - 2302094



Round shielded cable set, with 15-pos. D-SUB female and male connectors, cable length: 3 m

---

Cable - CABLE-D15SUB/B/S/400/KONFEK/S - 2302104



Round shielded cable set, with 15-pos. D-SUB female and male connectors, cable length: 4 m

---

Cable - CABLE-D15SUB/B/S/600/KONFEK/S - 2302117



Round shielded cable set, with 15-pos. D-SUB female and male connectors, cable length: 6 m

---

Cable - CABLE D-SUB-S/.../.../... - 2302340



Shielded round cable, assembled with one D-SUB male and one female connector, variable cable length

---

Cable - CABLE D-SUB-S-S/.../.../... - 2302434



Shielded round cable, assembled with two D-SUB male connectors, variable cable length

---

## Interface module - DFLK-D15 SUB/B - 2280307

### Accessories

Cable - CABLE-D-15SUB/M/OE/0,25/S/0,5M - 2926438



Shielded cable with a 15-pos. D-SUB pin strip and one open end. The individual wires are labeled 1 to 15 and fitted with ferrules. The braided shield is routed to a separate cable end. Cable length: 0.5 m.

Cable - CABLE-D-15SUB/M/OE/0,25/S/1,0M - 2926441



Shielded cable with a 15-pos. D-SUB pin strip and one open end. The individual wires are labeled 1 to 15 and fitted with ferrules. The braided shield is routed to a separate cable end. Cable length: 1 m.

Cable - CABLE-D-15SUB/M/OE/0,25/S/1,5M - 2926454



Shielded cable with a 15-pos. D-SUB pin strip and one open end. The individual wires are labeled 1 to 15 and fitted with ferrules. The braided shield is routed to a separate cable end. Cable length: 1.5 m.

Cable - CABLE-D-15SUB/M/OE/0,25/S/2,0M - 2926467



Shielded cable with a 15-pos. D-SUB pin strip and one open end. The individual wires are labeled 1 to 15 and fitted with ferrules. The braided shield is routed to a separate cable end. Cable length: 2 m.

Cable - CABLE-D-15SUB/M/OE/0,25/S/3,0M - 2926470



Shielded cable with a 15-pos. D-SUB pin strip and one open end. The individual wires are labeled 1 to 15 and fitted with ferrules. The braided shield is routed to a separate cable end. Cable length: 3 m.

## Interface module - DFLK-D15 SUB/B - 2280307

### Accessories

Cable - CABLE-D-15SUB/M/OE/0,25/S/4,0M - 2926483



Shielded cable with a 15-pos. D-SUB pin strip and one open end. The individual wires are labeled 1 to 15 and fitted with ferrules. The braided shield is routed to a separate cable end. Cable length: 4 m.

Cable - CABLE-D-15SUB/M/OE/0,25/S/6,0M - 2926496



Shielded cable with a 15-pos. D-SUB pin strip and one open end. The individual wires are labeled 1 to 15 and fitted with ferrules. The braided shield is routed to a separate cable end. Cable length: 6 m.

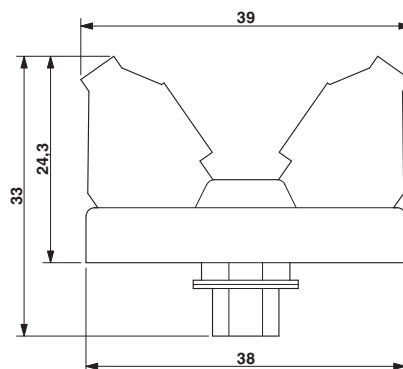
Cable - CABLE-D-15SUB-M-OE-0,25-S/... - 2900910



Shielded cable with a 15-pos. D-SUB pin strip and one open end. The individual wires are labeled 1 to 15 and fitted with ferrules. The braided shield is routed to a separate cable end. Cable length: variable.

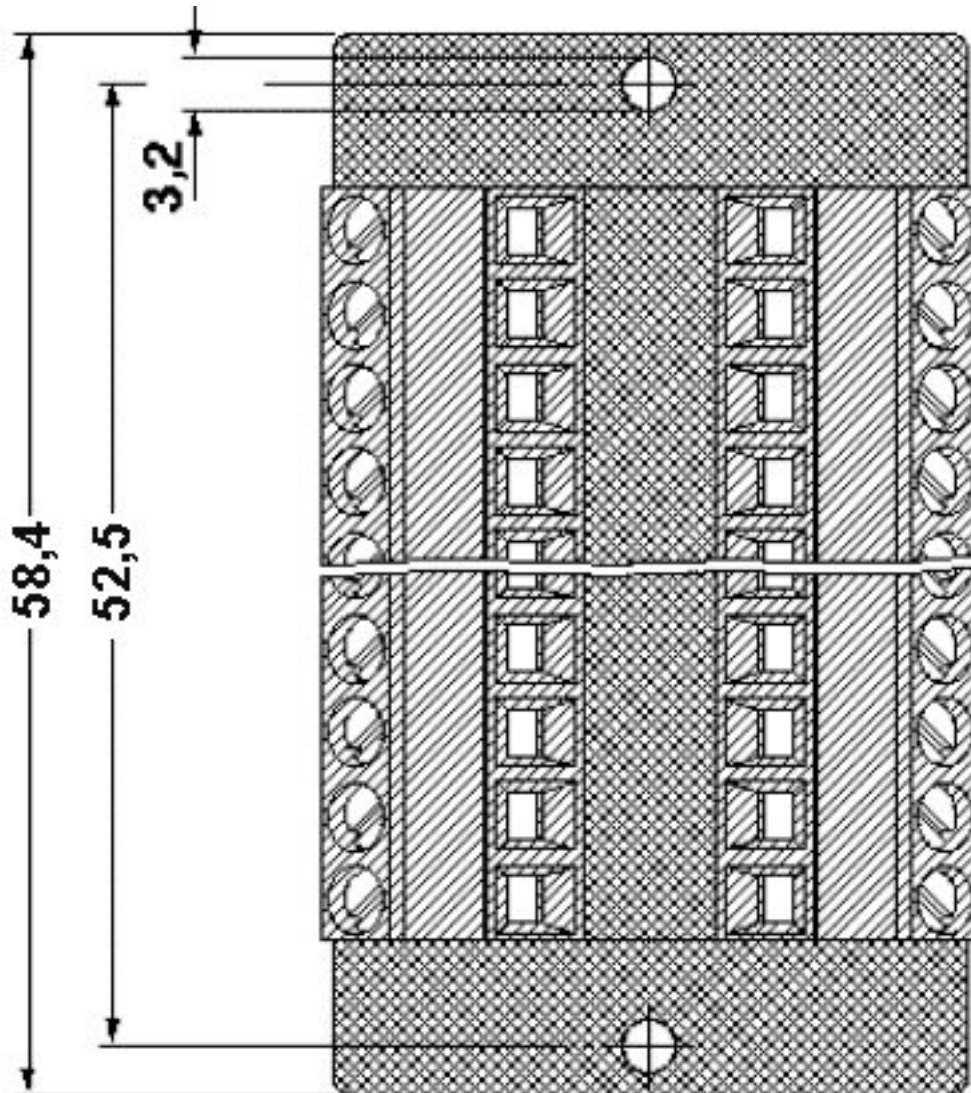
### Drawings

Dimensioned drawing



# Interface module - DFLK-D15 SUB/B - 2280307

Dimensioned drawing



## Interface module - DFLK-D15 SUB/B - 2280307

Dimensioned drawing

