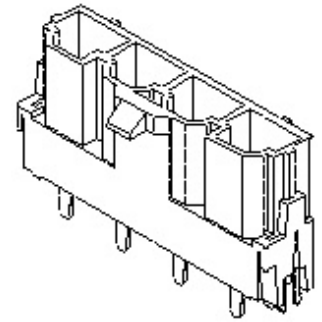


10.00mm (.393") Pitch Mini-Fit, Sr.™ Header - Vertical, Metal Clip Mount, 42819



Features and Benefits

- High current
- Fully polarized
- Positive locks
- Low engagement force
- Wire-to-wire, wire-to-board
- Metal board retention clip



Reference Information

- Product Specification:**PS-42815-0001**
- Packaging:**Tray**
- UL File No.:**E29179**
- CSA File No.:**LR19980**
- Mates With:**42815 Female Terminal** and **42816 Receptacle Housing**
- Designed In:**Millimeters**

Electrical

- Voltage:**250V**
- Current:**49.0A max.**
- Contact Resistance:**1mΩ max.**
- Dielectric Withstanding Voltage:**2200V**
- Insulation Resistance:**1000 MΩ min.**

Mechanical

- Contact Insertion Force:**5.0kg max.**
- Contact Retention to Housing:**9.0kg min.**
- Wire Pull-Out Force:**12 AWG--31.0kg**
- Insertion Force to PCB:**2.0kg max.**
- Mating Force:**1.0kg per circuit max.**
- Unmating Force:**0.5kg per circuit min.**
- Normal Force:**200g min.**
- Durability:**30 cycles**

Physical

- Housing:**Glass-filled, 4/6 nylon**
- Contact:**Copper Alloy**
- Plating:**Tin/Lead over Nickel**
- Temperature:**-40 to +105° C**

Top, Front, Side View and PCB Layout

ORDERING INFORMATION AND DIMENSIONS					
Circuits	Order No.	Dimension			
		A	B	C	P
2	42819-2212	23.82(.937)	10.00(.393)	1.80(.070)	3.50(.137)
	42819-2222			2.60(.102)	5.10(.200)
	42819-2232			3.40(.133)	
3	42819-3212	33.82(1.331)	20.00(.787)	1.80(.070)	3.50(.137)
	42819-3222			2.60(.102)	5.10(.200)
	42819-3232			3.40(.133)	
4	42819-4212	43.82(1.725)	30.00(1.181)	1.80(.070)	3.50(.137)
	42819-4222			2.60(.102)	5.10(.200)
	42819-4232			3.40(.133)	
5	42819-5212	53.82(2.118)	40.00(1.574)	1.80(.070)	3.50(.137)
	42819-5222			2.60(.102)	5.10(.200)
	42819-5232			3.40(.133)	
6	42819-6212	63.82(2.512)	50.00(1.968)	1.80(.070)	3.50(.137)
	42819-6222			2.60(.102)	5.10(.200)
	42819-6232			3.40(.133)	

[[Section Index](#) | [Fax Back](#) | [Order No. Index](#) | [Tradename Index](#)]

[[Welcome!](#) | [About Us](#) | [New](#) | [Products](#) | [Contact Us](#) | [Financial](#) | [Jobs](#) | [Feedback](#)]