


**Ordering number C11816**  
**Description 1**

Family	Strada-SQ	FWHM	Asym degrees
Type	Lens	Efficiency	87 %
LED	XP-E	cd/lm	-
Color	Clear	Gerber File	Available
Diameter	25 + 25 mm		
Height	8.77 mm		
Style	Square		
Optic Material	PMMA		
Holder Material	-		
Fastening	-		
Status	Ready		

**Ordering number CA11817**  
**Description 1**

Family	Strada-SQ	FWHM	Asym degrees
Type	Assembly	Efficiency	87 %
LED	XP-E	cd/lm	-
Color	Clear	Gerber File	Available
Diameter	25 + 25 mm		
Height	8.92 mm		
Style	Square		
Optic Material	PMMA		
Holder Material	-		
Fastening	-		
Status	Ready		

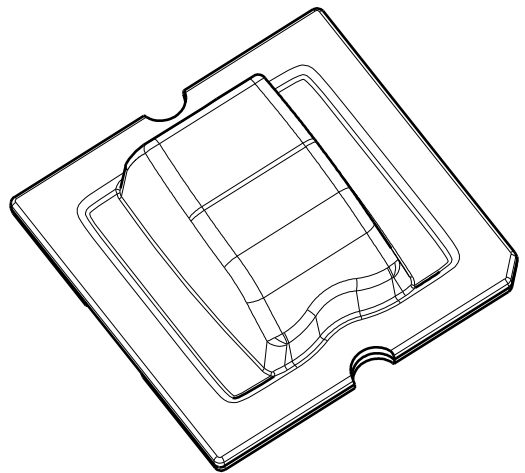


**PRODUCT DATASHEET**  
**Strada-SQ series**  
last update 8/3/2013

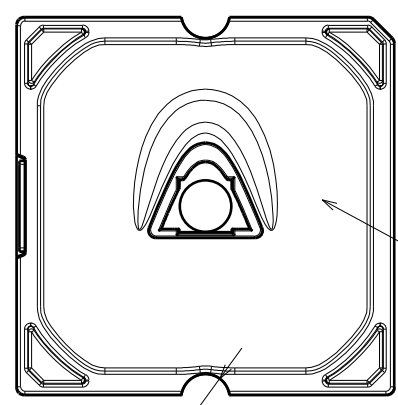
**NOTE: The typical divergence will be changed by different color, chip size and chip position tolerance. The typical total divergence is the full angle measured where the luminous intensity is half of the peak value.**

D C B A

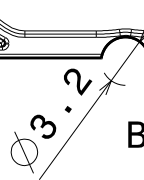
4



Isometric view

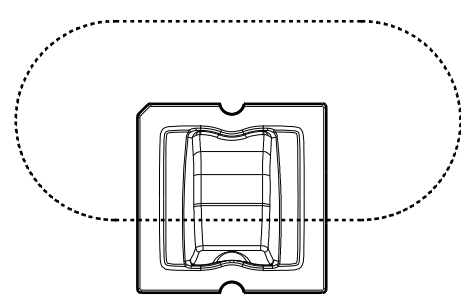


Tape area

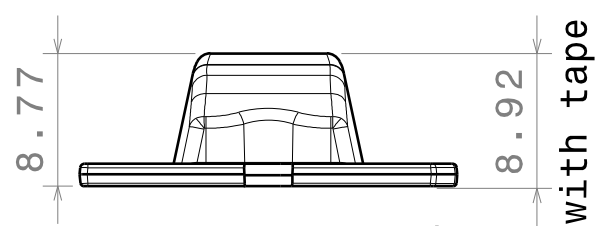


Bottom view

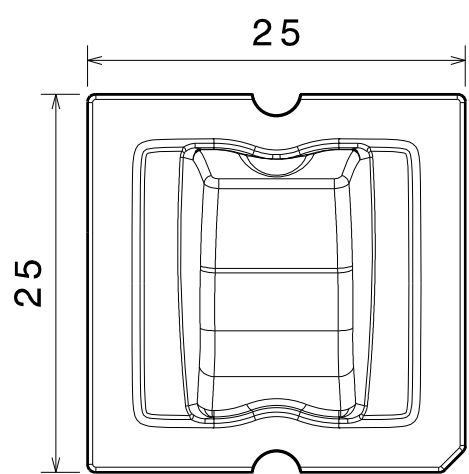
3



Beam direction



Front view



Top view

2

Part no.s:  
C11816\_Strada-SQ-T-DN-XP  
C11816\_Strada-SQ-T-DN-XP-G

Part no.s with tape:  
CA11817\_Strada-SQ-T-DN-XP-TAPE  
CA11817\_Strada-SQ-T-DN-XP-G-TAPE

MATERIALS  
Lens: PMMA  
Tape(optional): PU Foam

4

3

2

1

This drawing is our property.  
It can't be reproduced  
or communicated without  
our written agreement.



Ledil Oy  
Tehdaskatu 13  
FIN-24100 SALO  
Finland

DRAWING TITLE

Datasheet Strada-SQ-T-DN-XP Lens

DRAWN BY  
mav

DATE  
01.12.2010

CHECKED BY  
pv

DATE  
01.12.2010

SIZE  
A4

DRAWING NUMBER  
C11816

REV  
1

DESIGNED BY  
hh

DATE  
01.12.2010

SCALE 2:1

WEIGHT (g)

SHEET

1 / 1

D

A