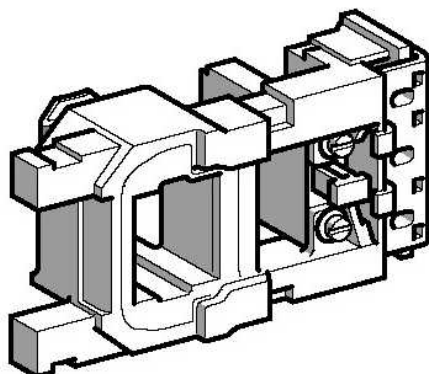


# LX1FF220

TeSys F - contactor coil - LX1FF - 220...230 V  
AC 50Hz - 265...277 V AC 60 Hz



## Main

Range of product	TeSys F
Product or component type	Contactor coil
Device short name	LX1FF
Control circuit type	AC 50/60 Hz
Control circuit voltage	265...277 V AC 60 Hz 220...230 V AC 50 Hz
Average resistance	28.1 Ohm at 20 °C
Inductance of closed circuit	3.44 H
Product compatibility	LC1F115 LC1F150
Operating time	5...15 ms opening 23...35 ms closing
Mechanical durability	10 Mcycles
Operating rate	2400 cyc/h at <= 55 °C

## Complementary

Coil technology	Without built-in suppressor module
Control circuit voltage limits	0.85...1.1 Uc at 55 °C operational 50/60 Hz 0.35...0.55 Uc at 55 °C drop-out 50/60 Hz
Inrush power in VA	660 VA at 20 °C (cos φ 0.3) 60 Hz 550 VA at 20 °C (cos φ 0.3) 50 Hz
Hold-in power consumption in VA	55 VA at 20 °C (cos φ 0.3) 60 Hz 45 VA at 20 °C (cos φ 0.3) 50 Hz
Heat dissipation	12...16 W at 50/60 Hz

## Environment

Ambient air temperature for operation	> -5...55 °C
Product weight	0.43 kg

## Contractual warranty

Period	18 months
--------	-----------

The information provided in this documentation contains general descriptions and/or technical characteristics of the performance of the products contained herein. This documentation is not intended as a substitute for and is not to be used for determining suitability or reliability of these products for specific user applications. It is the duty of any such user or integrator to perform the appropriate and complete risk analysis, evaluation and testing of the products with respect to the relevant specific application or use thereof. Neither Schneider Electric Industries SAS nor any of its affiliates or subsidiaries shall be responsible or liable for misuse of the information contained herein.