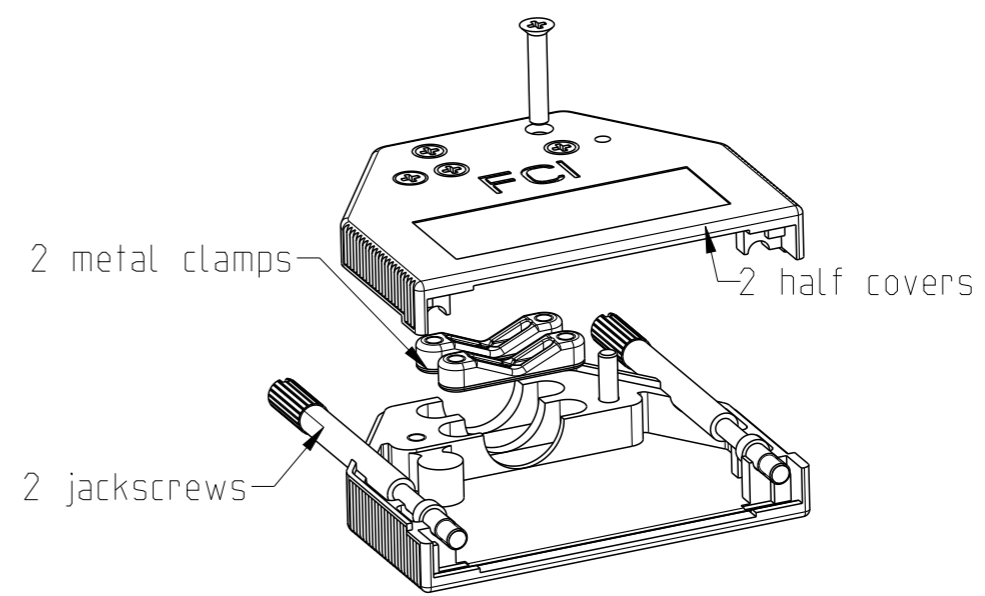
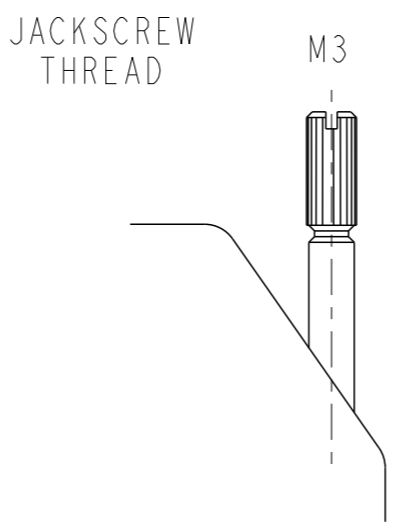
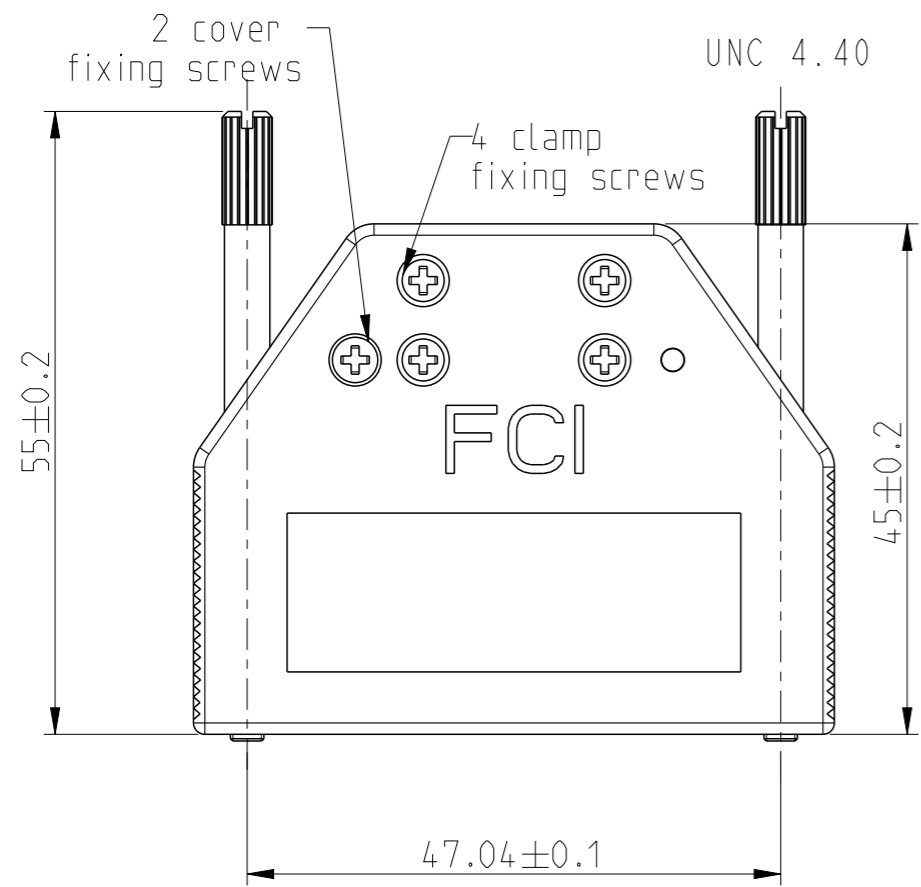
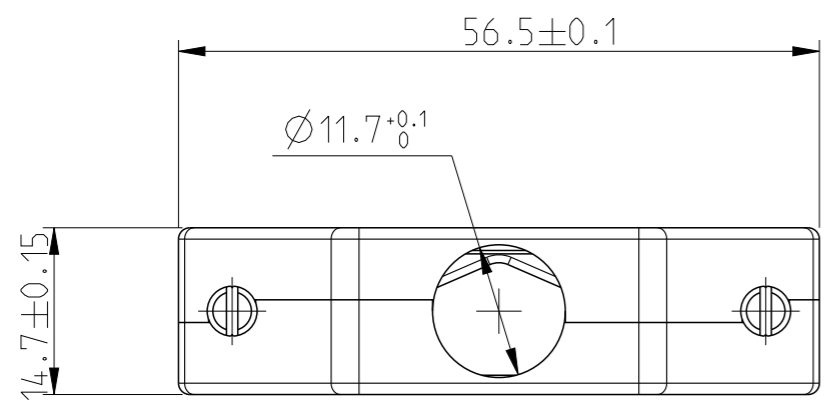




SIZE	Part Number	Jack Screw Thread	Packing
25	8655MH2501LF	UNC 4-40	bulk : Qty 60
	8655MH2511LF		individual set 50 sets/carton
	8655MH2502LF	M3	bulk : Qty 60
	8655MH2512LF		individual set 50 sets/carton

NOTE:RoHS INFORMATIONS

- The LF product meets European union Directives and other country regulations as described in GS-22-009
- The product is not intended to be exposed to a manufacturing solder process
- Packaging spec:see GS-14-920



SCALE 1:1

NOTES : for every sizes

Material and finish : Zinc die-cast
nickel plated

Cable strain relief : Zinc die-cast

Jackscrew : Brass, nickel plated
UNC 4-40 or M3 (see tables)

Temperature range : -55°C to +125°C

Attenuation factor : >40 dB between 10 MHz

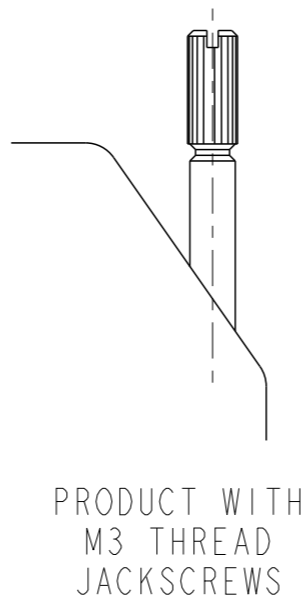
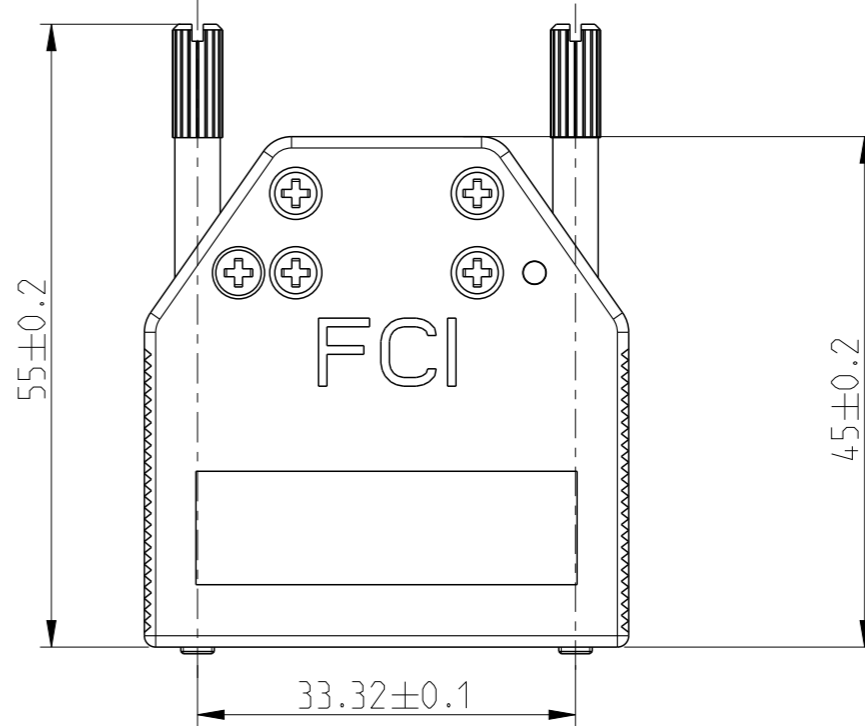
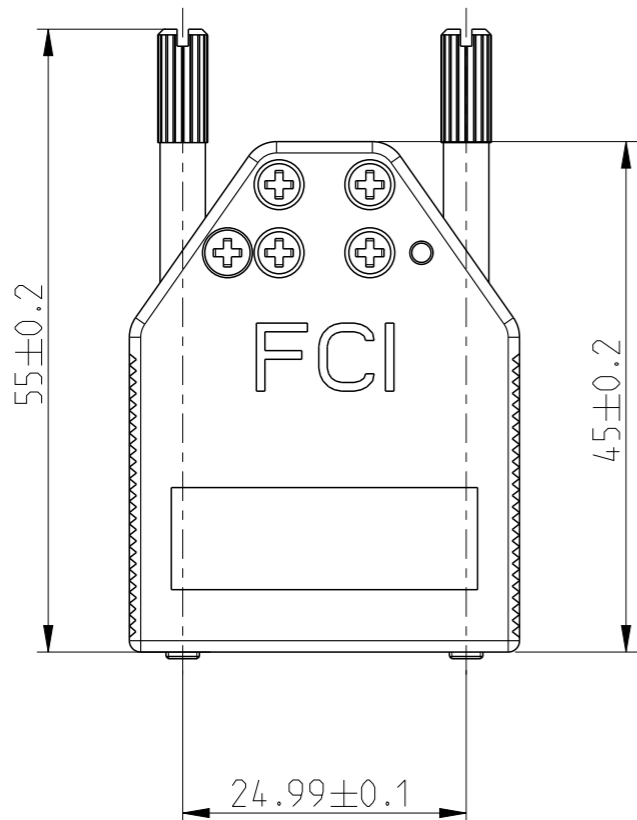
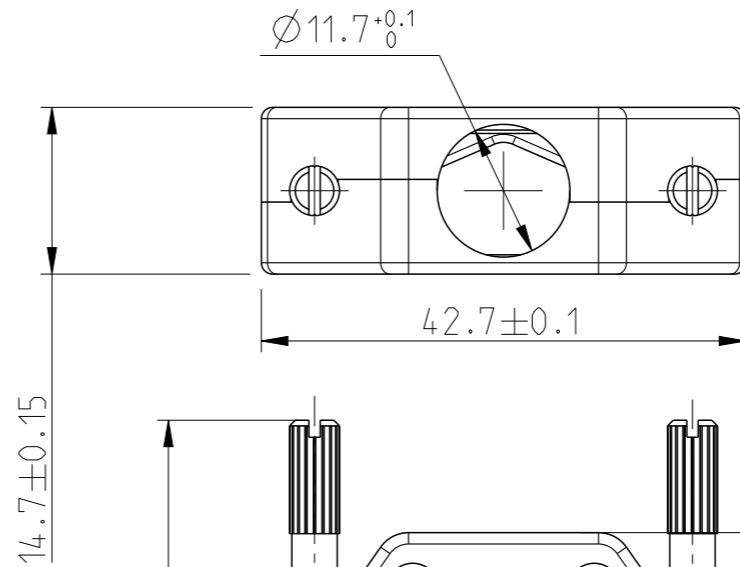
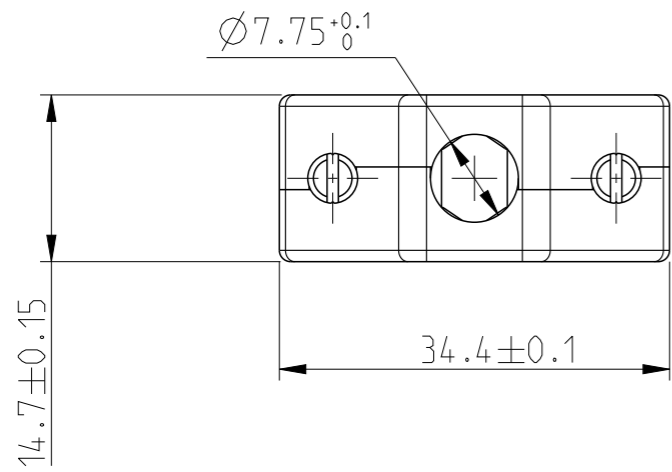
Other size details : see on next pages.

TOLERANCES UNLESS OTHERWISE SPECIFIED				tolerance std	dr	eng	chr	appr	projection	mm	size	scale
linear	X.	±/	ISO 406 ISO 1101	surface - 302	A Parrenin	2009/05/20	A Parrenin	2014/06/09			A3	3:2
	0.X	±/			A Parrenin	2014/06/09	product family	ecn no			ELX-B-17874-1	
	0.XX	±/			A Parrenin	2014/06/09	rel level	Released				
	0.XXX	±/			Gert Drosbeke	2014/06/09						
	0.XXXX	±/										
angular	0°	±/° A										

	title STRAIGHT METAL HOODS WITH 2 METAL CLAMPS	dwg no C-8655-1685C	rev C
	www.fci.com	cat. no.	Product - Customer Drw

SIZE	Part Number	Jack Screw Thread	Packing
09	8655MH0901LF	UNC 4-40	bulk : Qty 80
	8655MH0911LF		individual set 50 sets/carton
	8655MH0902LF	M3	bulk : Qty 80
	8655MH0912LF		individual set 50 sets/carton

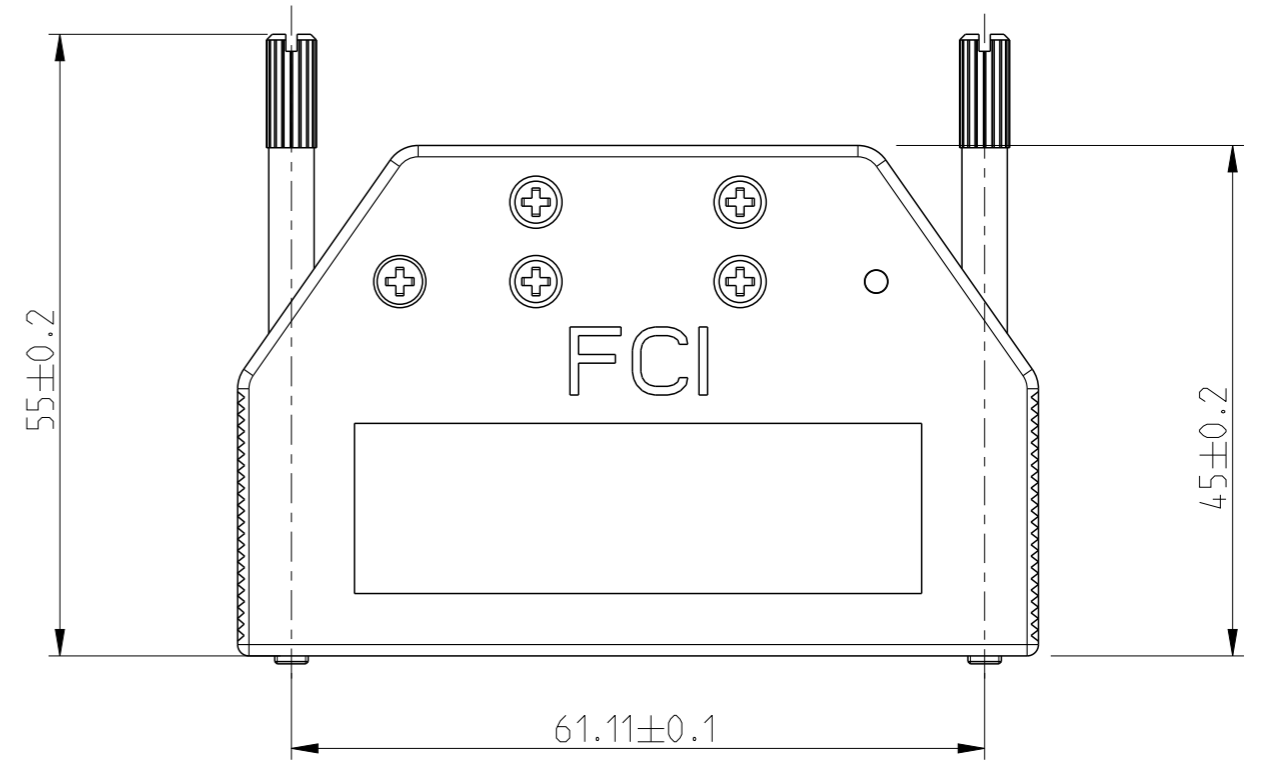
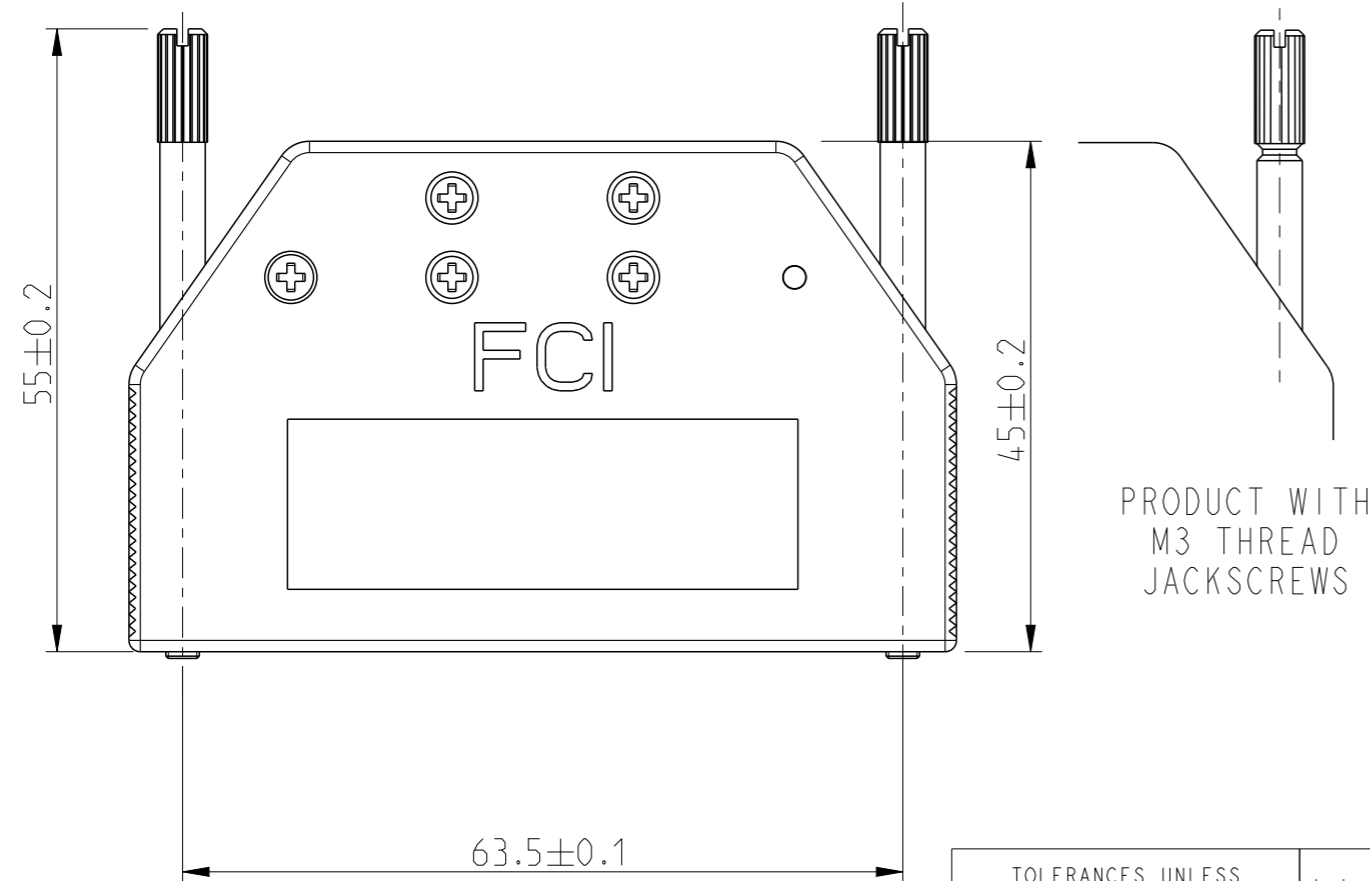
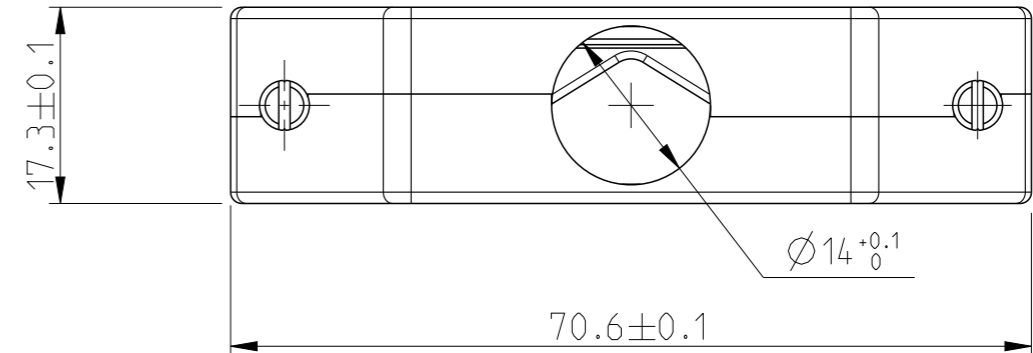
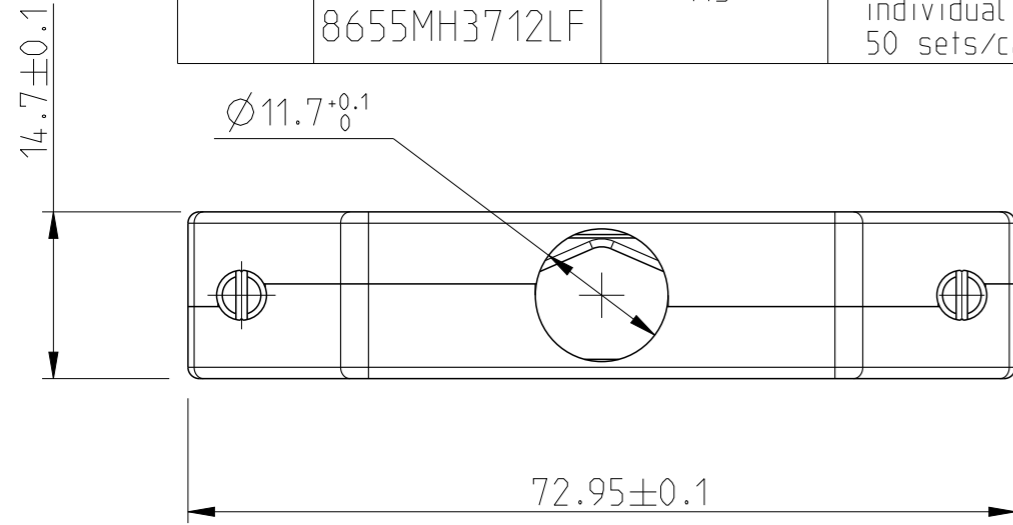
SIZE	Part Number	Jack Screw Thread	Packing
15	8655MH1501LF	UNC 4-40	bulk : Qty 80
	8655MH1511LF		individual set 50 sets/carton
	8655MH1502LF	M3	bulk : Qty 80
	8655MH1512LF		individual set 50 sets/carton



TOLERANCES UNLESS OTHERWISE SPECIFIED			tolerance std	dr	A Parrenin	2009/05/20	projection	mm	size	A3	scale	3:2
linear	X.	±/	ISO 406 ISO 1101	eng	A Parrenin	2014/06/09		product family	ecn no	Released		
	0.X	±/			A Parrenin	2014/06/09				C-8655-1685C	rev	
	0.XX	±/			Gert Drosbeke	2014/06/09						
	0.XXX	±/										
0.XXXX	±/	surface	302	www.fci.com	cat. no.	-	Product - Customer Drw	sheet 2 of 4				
angular	0°	±/° A										

SIZE	Part Number	Jack Screw Thread	Packing
37	8655MH3701LF	UNC 4-40	bulk : Qty 40
	8655MH3711LF		individual set 50 sets/carton
	8655MH3702LF	M3	bulk : Qty 40
	8655MH3712LF		individual set 50 sets/carton

SIZE	Part Number	Jack Screw Thread	Packing
50	8655MH5001LF	UNC 4-40	bulk : Qty 40
	8655MH5011LF		individual set 50 sets/carton
	8655MH5002LF	M3	bulk : Qty 40
	8655MH5012LF		individual set 50 sets/carton



TOLERANCES UNLESS OTHERWISE SPECIFIED				tolerance std	dr	2009/05/20	projection	size	scale		
linear	X.	±/	ISO 406	surface ✓	eng	2014/06/09		mm	A3		
	0.X	±/			chr	2014/06/09				product family	ecn no
	0.XX	±/	appr		2014/06/09	rel level					Released
	0.XXX	±/			title	STRAIGHT METAL HOODS WITH 2 METAL CLAMPS		dwg no	C-8655-1685C		
	0.XXXX	±/	www.fci.com		cat. no.	-	Product - Customer Drw	rev	C		
angular	0°	±/° A	302	-		Product - Customer Drw		sheet 3 of 4			

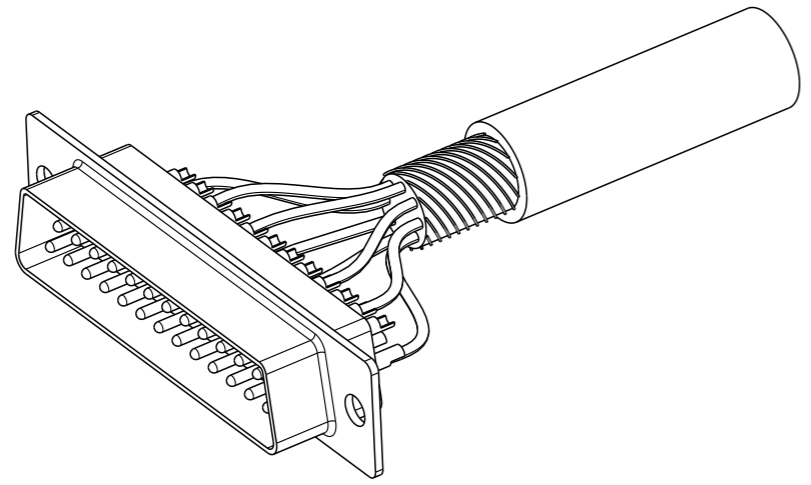
FCI CONFIDENTIAL



This document is the property of and embodies CONFIDENTIAL and PROPRIETARY information of FCI. No part of the information shown on this document may be used in any way or disclosed to others without the written consent of FCI. Copyright FCI.

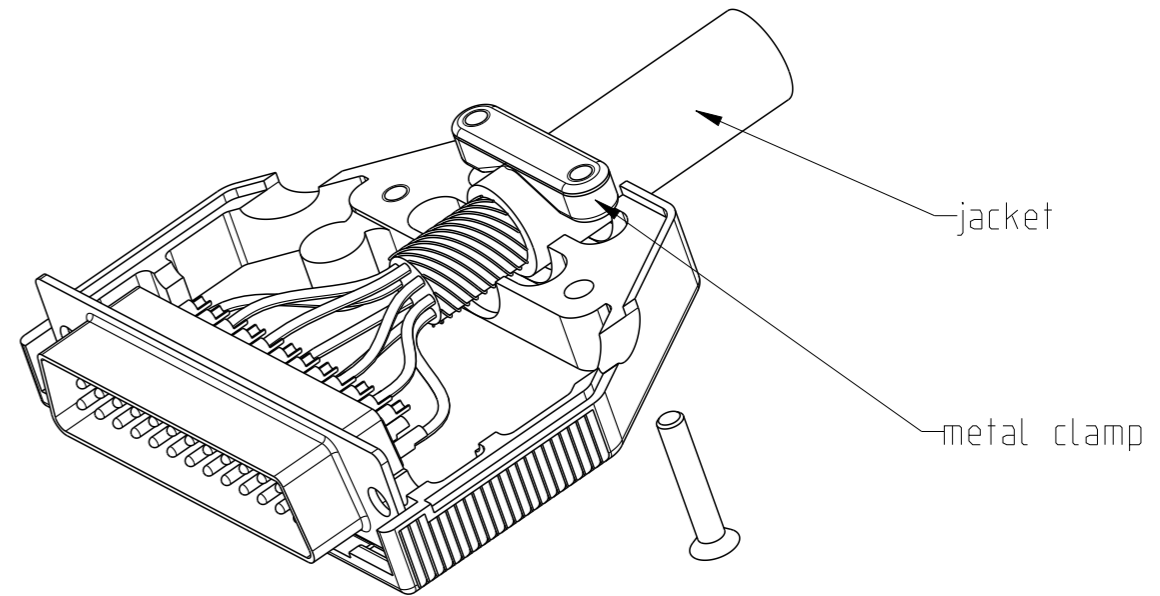
CABLING INSTRUCTIONS

1- Strip the cable and solder or crimp the wires



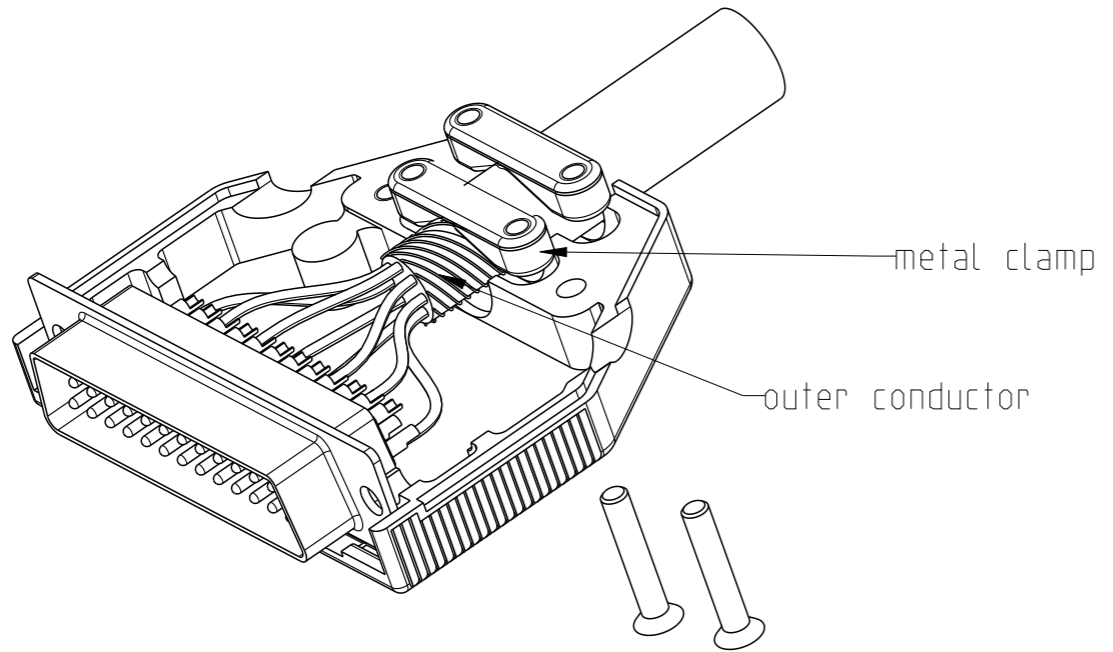
SCALE 3:2

2-Put the connector into a half hood and tighten the jacket with a metal clamp



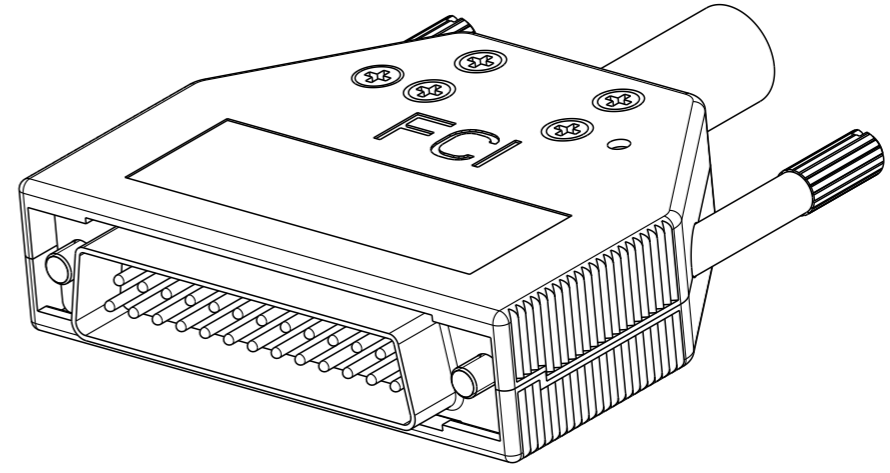
SCALE 3:2

3-To get the electrical continuity between the cable outer conductor and the hood tighten the outer conductor with the other metal clamp as shown



SCALE 3:2

4-Mount the jackscrews, the other half hood and tighten with 2 screws



TOLERANCES UNLESS OTHERWISE SPECIFIED			tolerance std	dr	A Parrenin	2009/05/20	projection	mm	size	A3	scale	1:1
linear	X.	±/	ISO 406	eng	A Parrenin	2014/06/09		←→	ecn no	ELX-B-17874-1		
	0.X	±/		ISO 1101	chr	A Parrenin				2014/06/09	rel level	Released
	0.XX	±/	surface		appr	Gert Drosbeke	2014/06/09	product family	dwg no	C-8655-1685C		rev
	0.XXX	±/		302		www.fci.com				cat. no.		
angular	0°	±/° A	302	FCI		TITLE		STRAIGHT METAL HOODS WITH 2 METAL CLAMPS		C		