



PRODUCT DATASHEET

Laura series

last update 29/1/2015

DETAILS

Product Number	CA13272_LAURA-O-WAS
Family	Laura
Type	Assembly
Color	white
Diameter	21.6 x 21.6 mm
Height	12,9 mm
Style	square
Optic Material	PMMA
Holder Material	PC
Fastening	tape
Status	ready
ROHS Compliant	Yes
Date Updated	25/02/2013



OPTICAL PROPERTIES

LED	Viewing Angle	Light Beam	Efficiency	cd/lm	Connector
LUXEON Rebel	Asymmetric deg	Dval	sim: 87 %	3.100	-
LUXEON A	Asymmetric deg	Dval	92 %	9.420	-

D

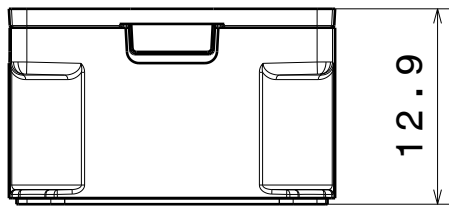
C

B

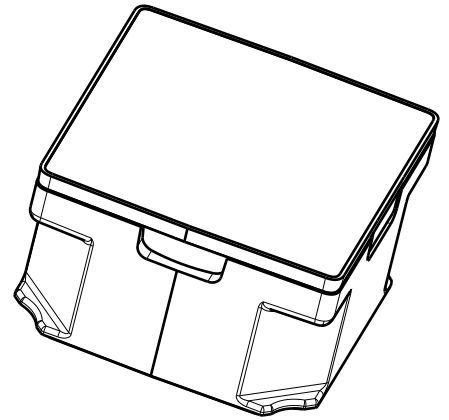
A

4

4



Front View

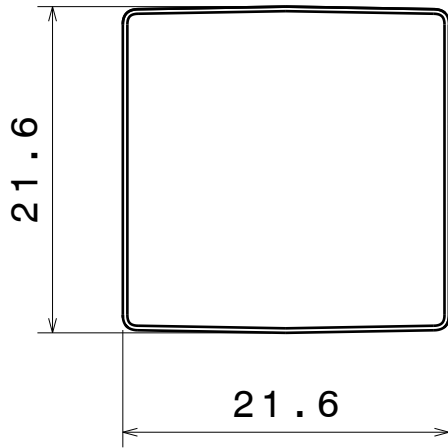


Isometric view

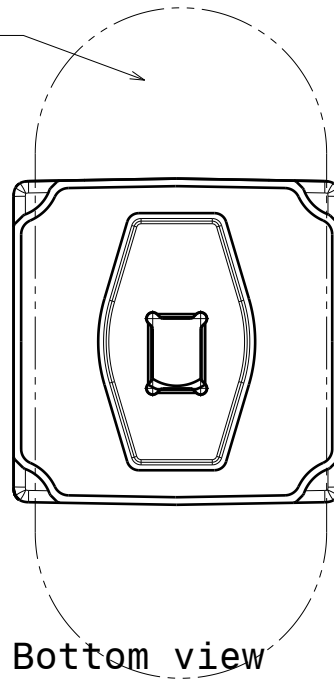
Oval Beam Direction

3

3



Top view



Bottom view

2

2

This drawing is our property.
It can't be reproduced
or communicated without
our written agreement.



Ledil Oy
Salorankatu 10
FIN 24240 SALO
Finland

DRAWING TITLE

Mechanical Drawing

DRAWN BY

ks

DATE

08.11.2012

LAURA-RE

CHECKED BY

as

DATE

-

SIZE

A4

PART NUMBER

REV

001

DESIGNED BY

-

DATE

-

SCALE

2:1

WEIGHT

SHEET

1/1

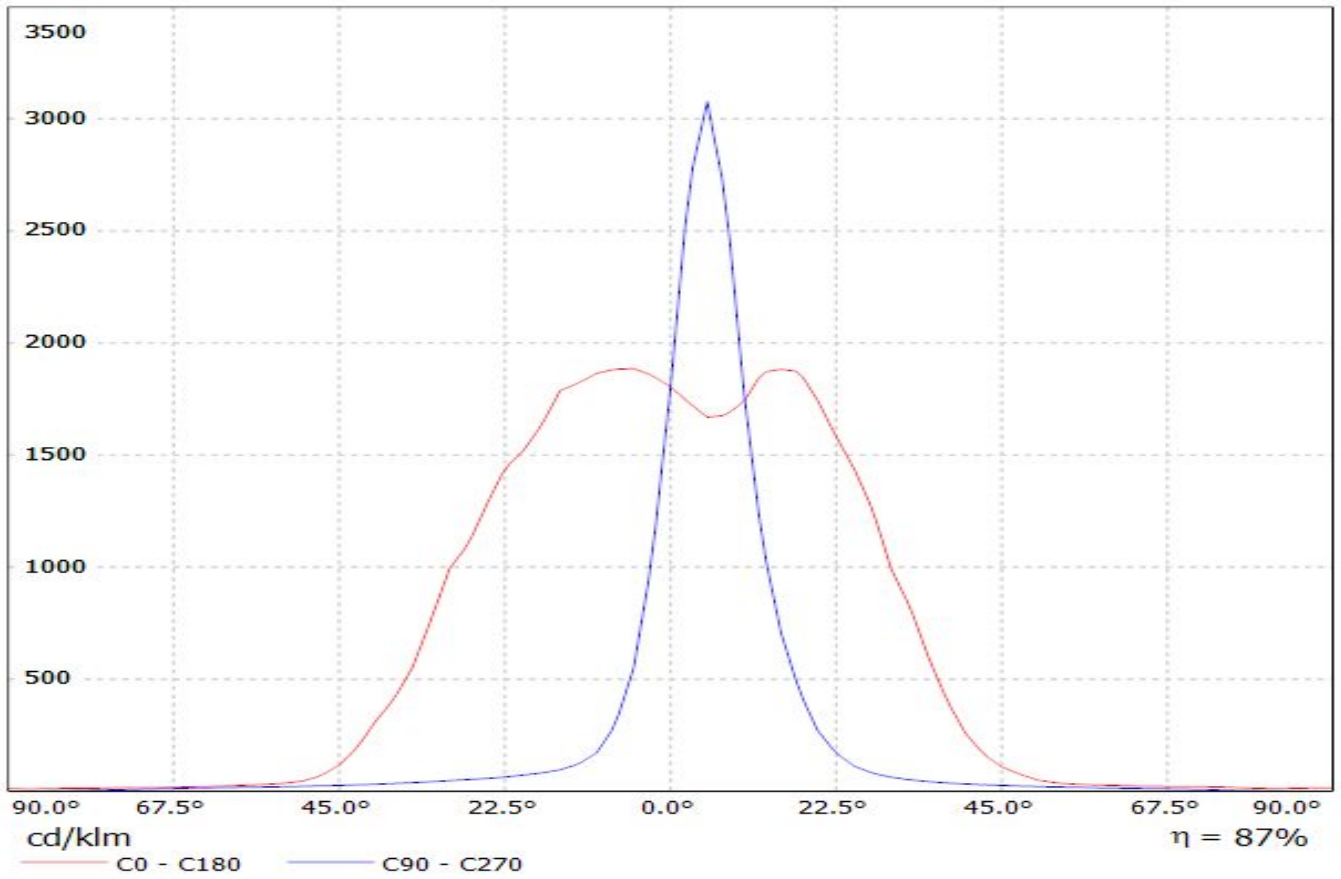
1

1

D

A

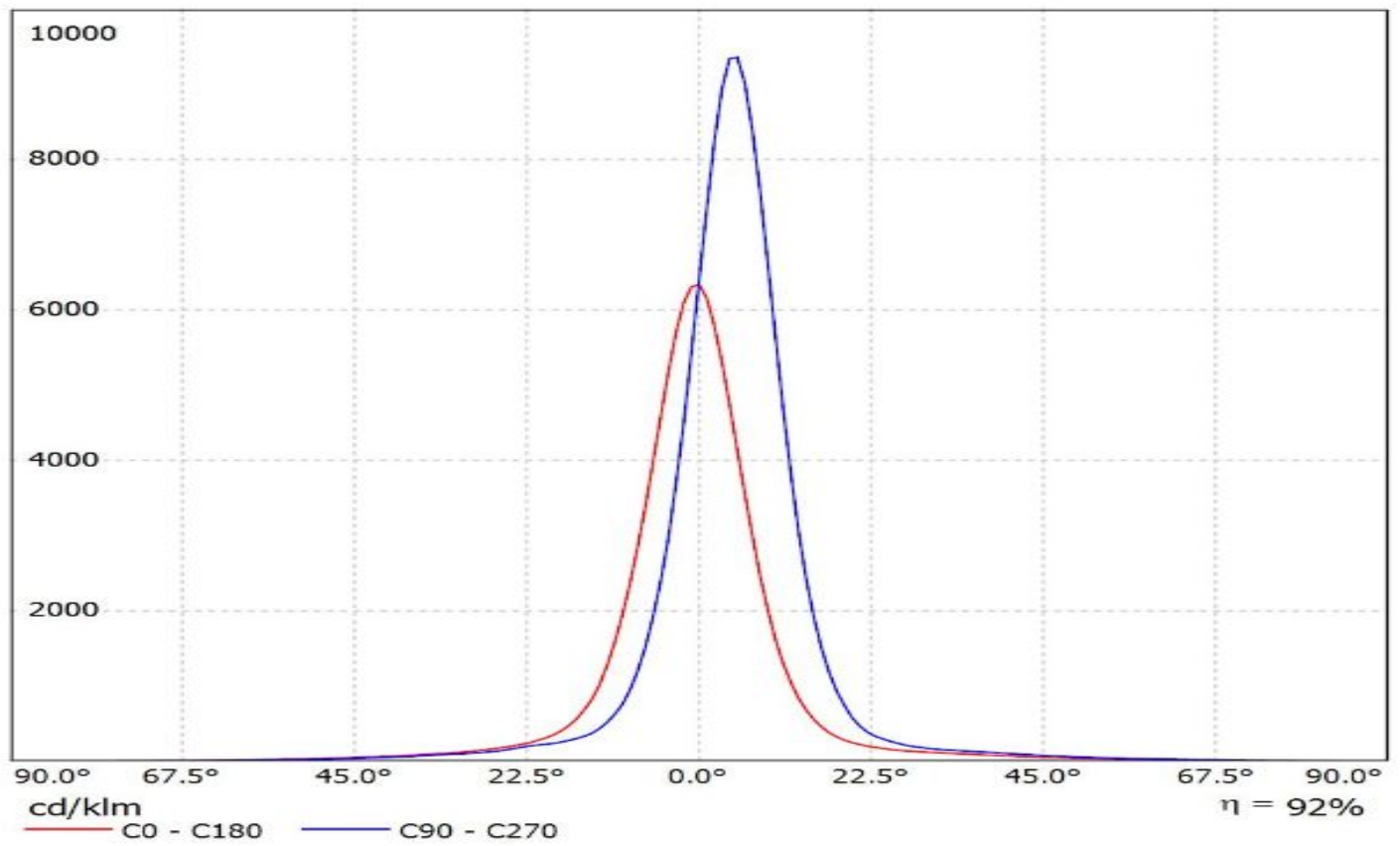
Luminaire: Ledil Oy CA13272_LAURA-O-WAS_(Rebel) Efficiency=87%
Lamps: 1 x Luxeon Rebel 80lm @ 250mA



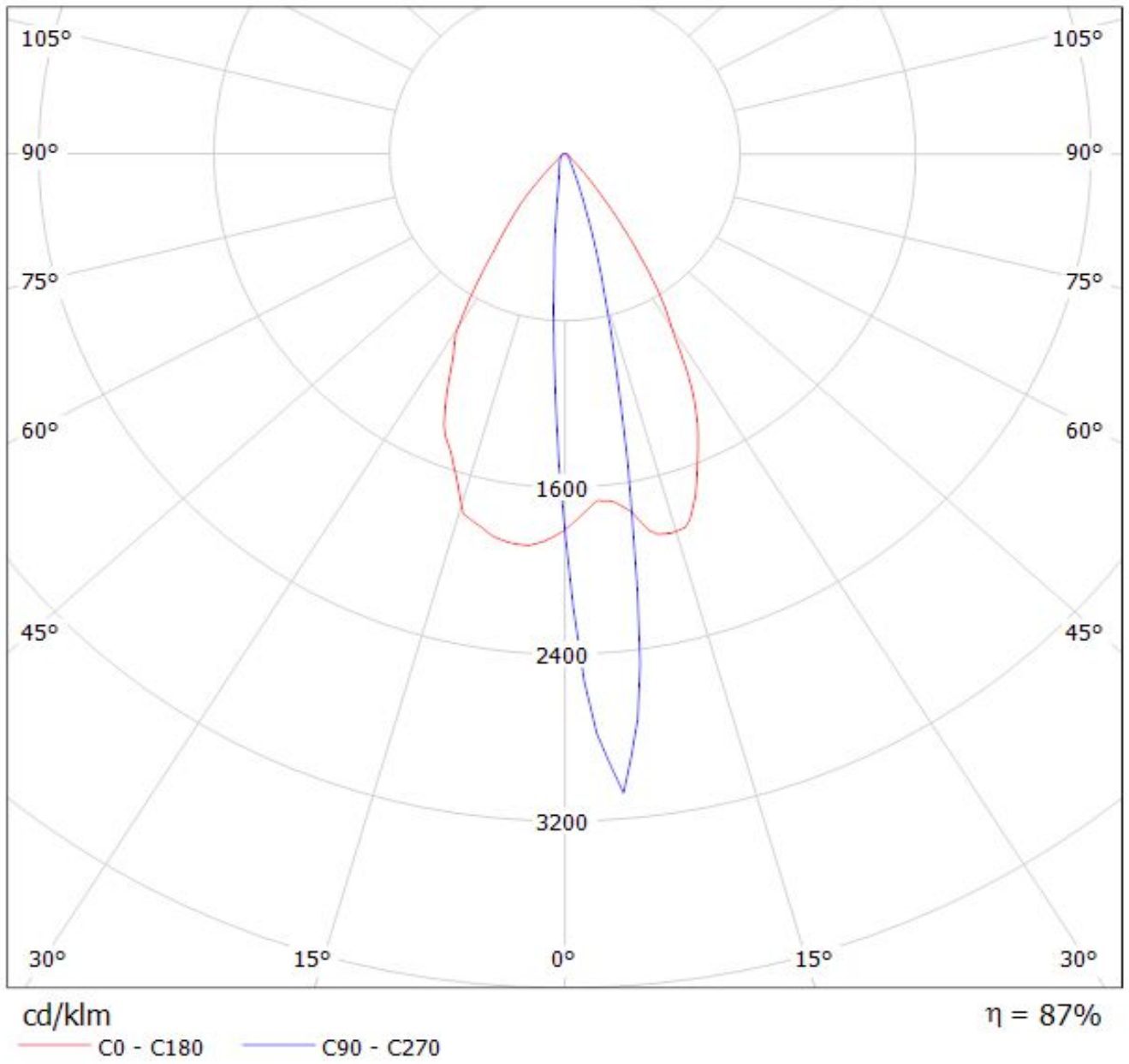
Ledil CA13272_LAURA-O-WAS_(LUXEON_A) / LDC (Linear)

Luminaire: Ledil CA13272_LAURA-O-WAS_(LUXEON_A)

Lamps: 1 x LUXEON_A_80lm@250mA_CCT=2933K_P=0.77W_I=0.25A



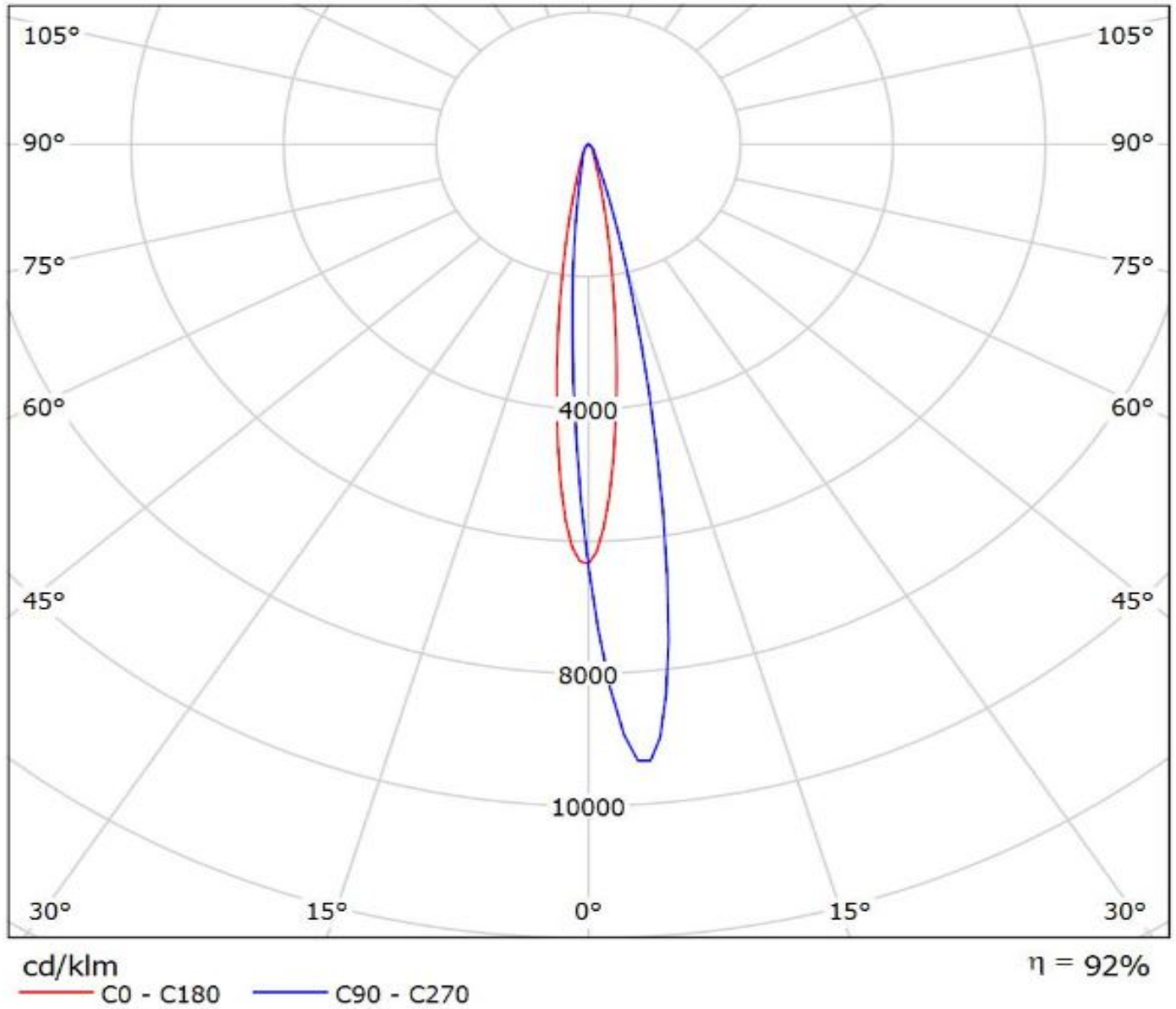
Luminaire: Ledil Oy CA13272_LAURA-O-WAS_(Rebel) Efficiency=87%
Lamps: 1 x Luxeon Rebel 80lm @ 250mA



Ledil CA13272_LAURA-O-WAS_(LUXEON_A) / LDC (Polar)

Luminaire: Ledil CA13272_LAURA-O-WAS_(LUXEON_A)

Lamps: 1 x LUXEON_A_80lm@250mA_CCT=2933K_P=0.77W_I=0.25A



NOTE: The typical divergence will be changed by different color, chip size and chip position tolerance. The typical total divergence is the full angle measured where the luminous intensity is half of the peak value.

GENERAL INFORMATION

- Product series especially designed & optimized for series of LEDs.
- Special care taken to make light distribution as uniform as possible.
- Fastening to heat sink with a PU foam adhesive tape of automotive grade. Please find fastening details by clicking link: http://www.ledil.com/datasheets/DataSheet_TAPE.pdf

NOTE 1: We advise customer to ensure the suitability and sufficiency of the bond in the end product. For example, mechanical stress, vibration and holes on the surface of the circuit board weaken the strength of the tape.

NOTE 2: Assembly to the surface must be made straight, so the tape bonds constant and balanced with fastening surface. Slanted assembly might cause unbalanced bond to the surface. All surfaces where tape is applied must be clean, dry and free from grease and dirt.

If cleaning of PCB surfaces is needed, please follow strictly the cleaning instructions of your LED manufacturer - this is important as cleaning shall under no circumstances damage LEDs or other electronics components on the PCB.

Further note that optical components shall not be cleaned with any chemicals - only micro fiber cloth may be used to remove fingerprints or other traces from handling.