

Digital Hour Meter & Counter

- Compact size with 7-digit Display with 6.5 mm height with Backlit LCD.
- Suitable for both hour meter & Counter application.
- Suitable for panel mounting.



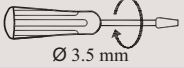

Cat. No.	Z2001N0G1FT00	Z2121N0G1FT00
Parameters		
Supply Voltage (V)	7 VDC to 60 VDC	
Device Mode Selection	Counter / Hour Meter (Selectable)	
Device Configuration	Using SET & RESET switches & menu driven LCD screens	
Max. Power Consumption (W)	1 W	
Display	7 digit LCD, 6.5 mm Height	
Display Type	Negative Transmissive	Negative Transmissive
Backlit	Green	
Annunciators	LCD 1.1mm	
Indication Range for Counter	From 9999999 to 9999.999 with prescaler & decimal point selection	
Max. Counter Frequency	40 Hz or Pulse width 12.5ms (min.)	
Counter Accuracy	100%	
Counter Preset	Break-in type Preset with Output ON	
Indication Range for Hour Meter	999:99:99(Hr:Min:sec),99999:99(Hr:Min),9999999(Hr),9999999(Min),9999999(Min)	
Resolution for hour meter	1 sec	
Hour Meter Accuracy	±2sec per Day	
Hour Meter Preset	Recurring type Preset with Output ON	
Battery Back-up	NA	NA
Reset	Manual(Front/Electrical) / Auto/programmable Timeout Reset/No Reset	
Output Type	Open Drain MOSFET with source connected to common	
Output Rated current	60mA	
Output Over current protection	100mA	
Operating Temperature	- 5° C to +55° C	
Storage Temperature	- 10° C to +60° C	
Humidity (Non Condensing)	5 to 95% Rh (Without condensation)	
Enclosure	UL 94 V0 Plastic, Housing : IP30, Front side : IP40, Terminal : IP20	
Weight (Unpacked)	52gN	
Panel Cut-out	22mm X 44.8mm	
Mounting	Flush / Panel Mounting	
Certification		
EMI / EMC		
ESD	IEC 61000-4-2	Ed. 1.2 (2001-04) Level II
Radiated Susceptibility	IEC 61000-4-3	Ed. 3.0 (2006-02) Level III
Electrical Fast Transients (DC)	IEC 61000-4-4	Ed. 2.0 (2004-07) Level IV
Electrical Fast Transients (Signal Input)	IEC 61000-4-4	Ed. 2.0 (2004-07) Level IV
Electrical Fast Transients (MOSFET output)	IEC 61000-4-4	Ed. 2.0 (2004-07) Level I
Surges (DC Power ports)	IEC 61000-4-5	Ed. 2.0 (2005-11) Level IV
Surge (Signal Input)	IEC 61000-4-5	Ed. 2.0 (2005-11) Level I
Conducted Susceptibility	IEC 61000-4-6	Ed. 2.2 (2006-05) Level III
Voltage Dips (DC)	IEC 61000-4-29	Ed. 2.0 (2004-03) All 7 Levels
Conducted Emission	CISPR 11-1	Ed. 5.0 (2005-11) Class A
Radiated Emission	CISPR 11-1	Ed. 5.0 (2005-11) Class A
Safety Compliance:		
High Voltage (All Terminal & Enclosure)	IEC 60068-2-2	Ed. 5.0 (2007-07)
Leakage Current	UL 508	Ed. 17 (1999-01) <3.5 mA
Environmental		
Cold Heat	IEC 60068-2-1	Ed. 6.0 (2007-03)
Dry Heat	IEC 60068-2-2	Ed. 5.0 (2007-07)
Vibration	IEC 60068-2-6	Ed. 7.0 (2007-12) 5g
Repetitive Shock	IEC 60068-2-27	Ed. 4.0 (2008-02) 40g, 6ms
Non-Repetitive Shock	IEC 60068-2-27	Ed. 4.0 (2008-02) 30g, 15ms

ORDERING INFORMATION

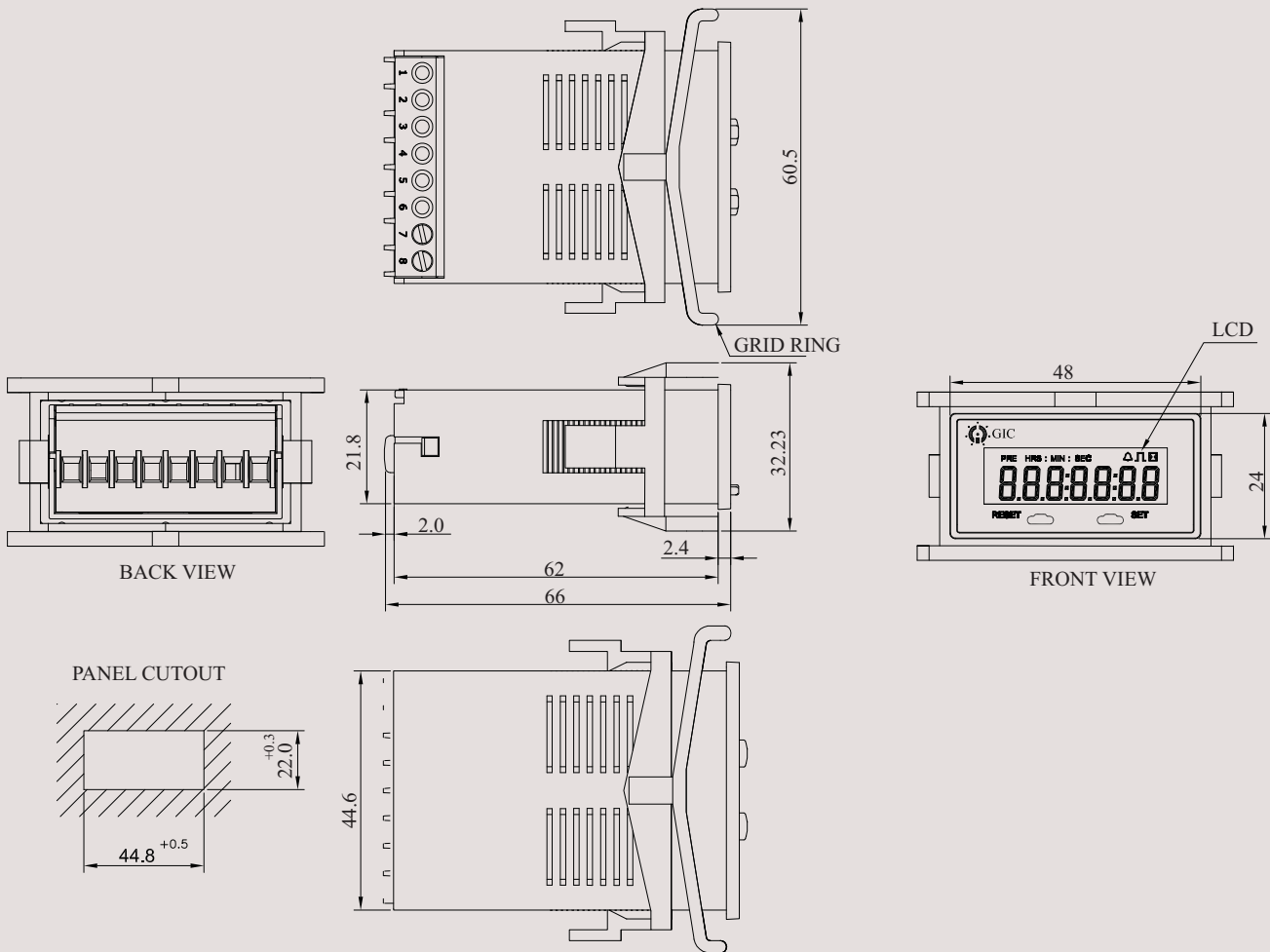
Cat. No.	Description
Z2001N0G1FT00	7V DC - 60V DC (Negative Transmissive)
Z2121N0G1FT00	90-277V AC/DC (Negative Transmissive)



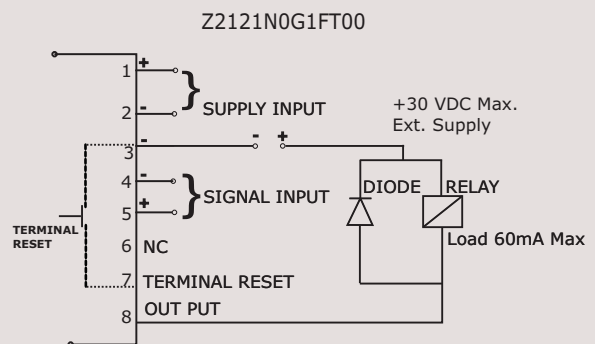
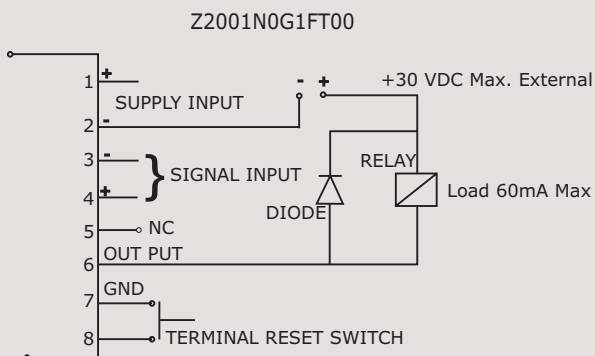
TERMINAL TORQUE & CAPACITY

 Ø 3.5 mm	Torque - 0.40 N.m (3.5 Lb.in) Terminal screw - M2.5
	Solid Wire - 1 X 0.3...2.5 mm ²
AWG	22 to 14

MOUNTING DIMENSIONS (mm)



CONNECTION DIAGRAM



Caution: Do not connect Reset between Terminals 7 & 1