



PRODUCT DATASHEET

Barbara series

last update 29/1/2015

DETAILS

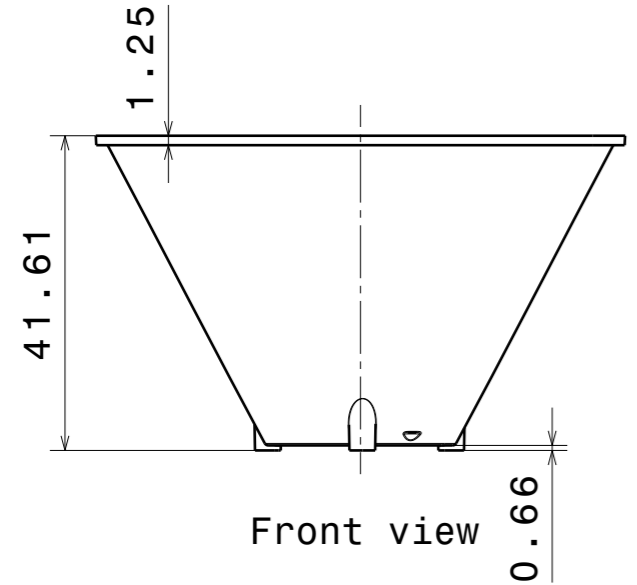
Product Number	F13703_BARBARA-XW-PF
Family	Barbara
Type	3
Color	3
Diameter	70 mm
Height	41.7 mm
Style	1
Optic Material	40
Holder Material	0
Fastening	
Status	9
ROHS Compliant	Yes
Date Updated	29/01/2015



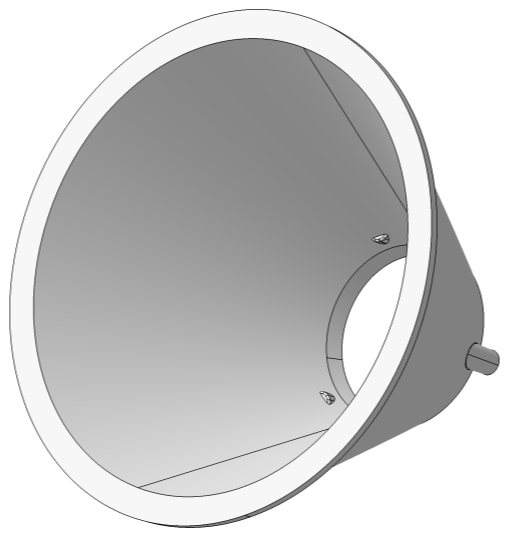
OPTICAL PROPERTIES

LED	Viewing	Light	Effi-	cd/lm	Connector
	Angle	Beam	ciency		
	sim: 0	15	-	sim: 0.000	-
	sim: 0	15	-	sim: 0.000	-
	sim: 0	15	-	sim: 0.000	-
	sim: 0	15	-	sim: 0.000	-

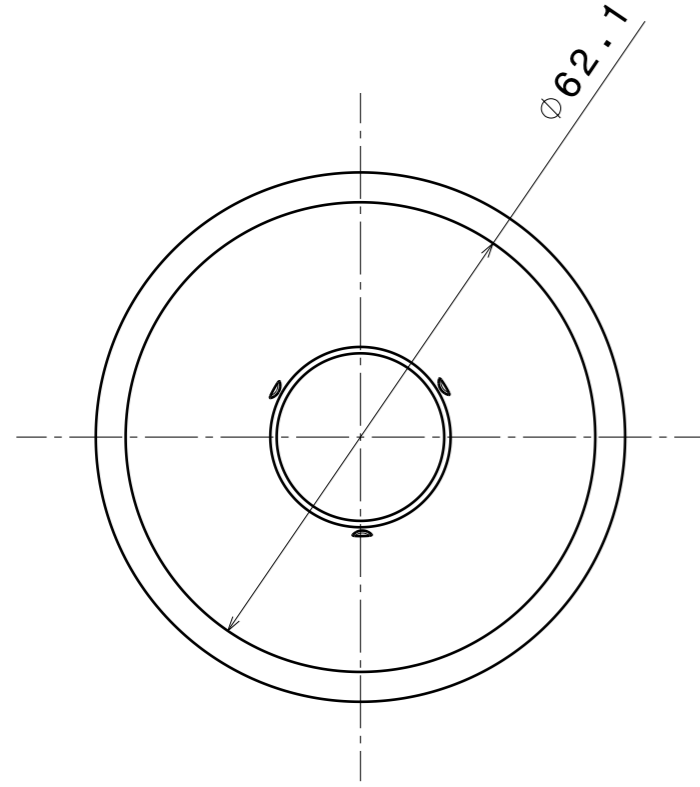
H G F E D C B A



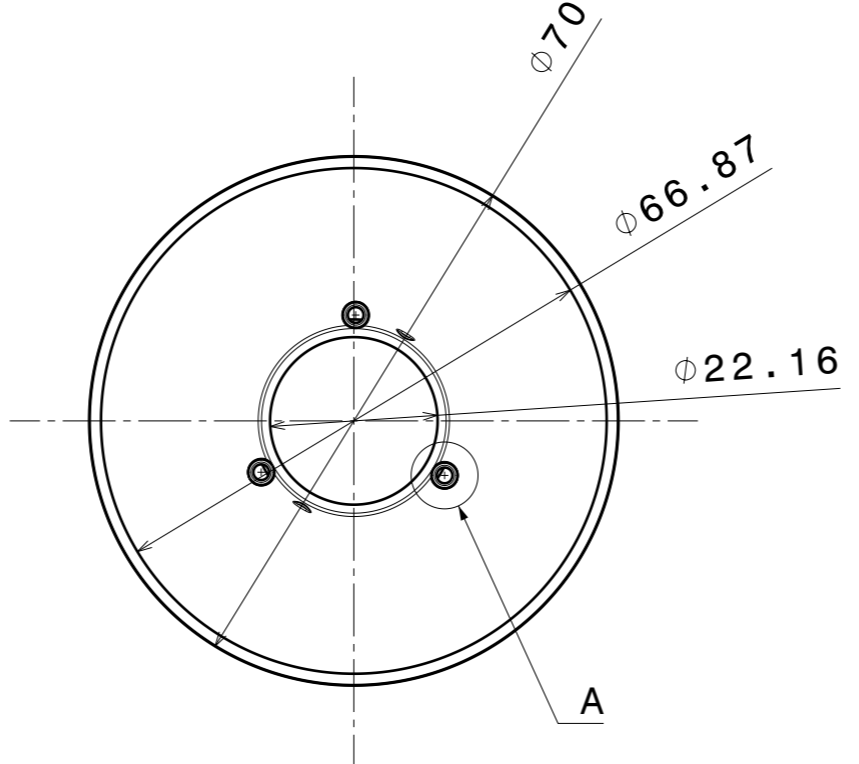
Front view



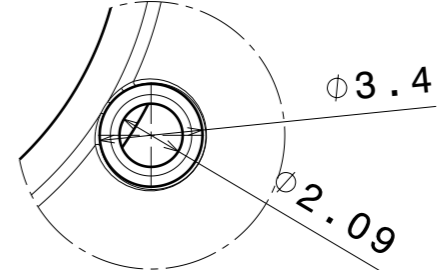
Isometric view



Top view



Bottom view



Detail A
Scale: 4:1

This drawing applies to:
 C13700_BARBARA-S-PF
 C13701_BARBARA-W-PF
 C13702_BARBARA-WW-PF
 C13703_BARBARA-XW-PF

Tolerances if not otherwise shown
 According to DIN ISO 2768-1
 Linear measures:
 Up to 30mm class M, otherwise class C.
 According to DIN ISO 2768-2
 Form and position: class L

LEDiL Ledil Oy
 Salorankatu 10
 FIN 24240 SALO
 Finland

THIRD ANGLE PROJECTION:

DRAWING TITLE
Datasheet_BARBARA-PF

This drawing is the property
 of LEDiL Oy. It may not be
 reproduced, copied or
 communicated without a written
 agreement with LEDiL Oy."

SIZE	PART NUMBER		
A3	-		

SCALE	1:1	WEIGHT	(g)	SHEET	1/1
-------	-----	--------	-----	-------	-----

H G B A

NOTE: The typical divergence will be changed by different color, chip size and chip position tolerance. The typical total divergence is the full angle measured where the luminous intensity is half of the peak value.

GENERAL INFORMATION

- Product series especially designed & optimized for series of LEDs.
- Special care taken to make light distribution as uniform as possible.
- Reflector is made of aluminium coated PC (120 degrees of Celcius / 248 degrees of Fahrenheit) with protective lacquer (short term 100 degrees of Celcius / 212 degrees of Fahrenheit).