

4

3

2

1

THIS DRAWING IS UNPUBLISHED.
VERTRAULICHE UNVERÖFFENTLICHTE ZEICHNUNG

RELEASED FOR PUBLICATION
FREI FUER VERÖFFENTLICHUNG

ALL RIGHTS RESERVED.
ALLE RECHTE VORBEHALTEN

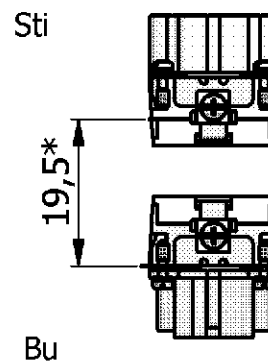
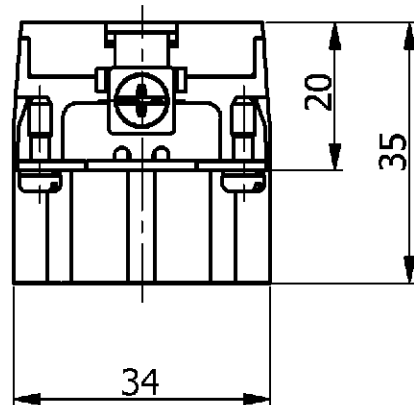
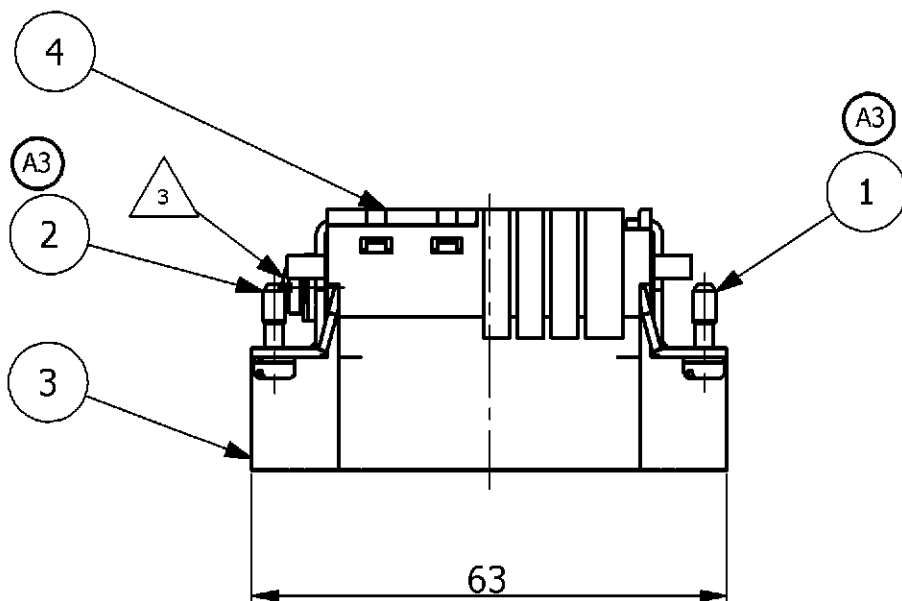
MATED WITH:
PASSEND ZU:
HMX8/24

LOC
AI

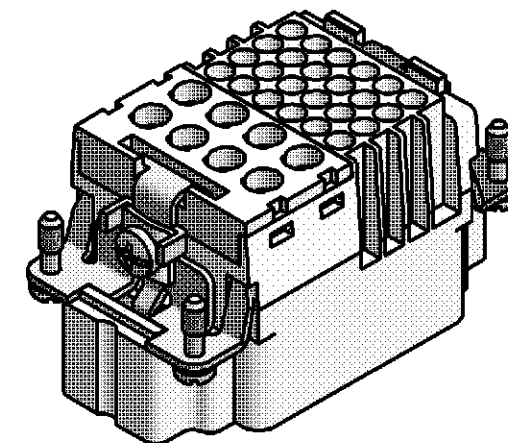
DIST

REVISIONS
ÄNDERUNGEN

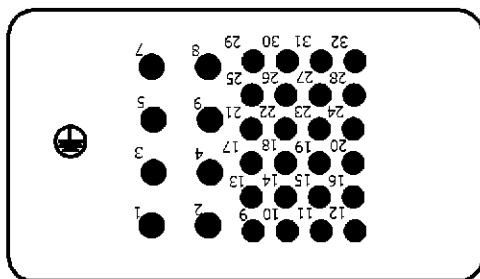
P	LTR	DESCRIPTION	BESCHREIBUNG	DATE	DWN	APVD
	A3	POS. NO. CORRECTED	ECR-07-009895	26.04.2007	SR	ST



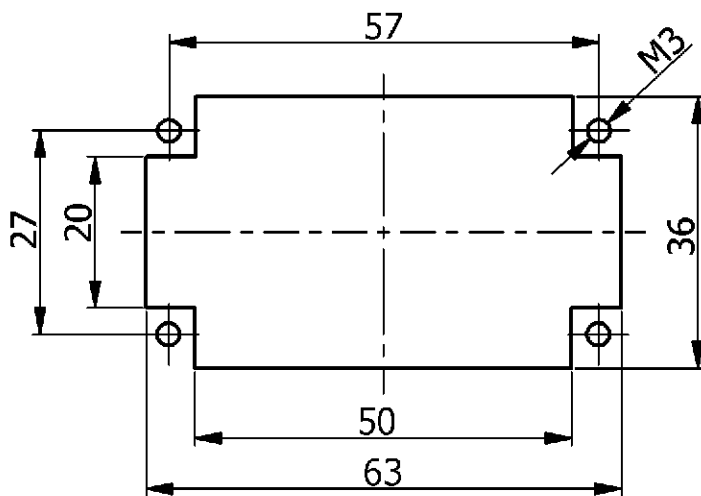
* distance for guaranteed contact 21 mm max.



Contact arrangement view from termination side



Panel cut-out for contact insert when used without housing



0-1 as shown
ORDERING TEXT: HMX.8/24.Sti.C

QTY.	DESCRIPTION	MATERIAL	SURFACE	COLOR	NOTE	ITEM
1	COVER HMX.8/24	PBT-GF15		LIGHT-GREY		4
1	MALE INSERT HMX.8/24	PBT-GF30	-	LIGHT-GREY	-	3
1	Protection wire contact pin with mounting		zink plated	blue		2
1	Protection wire contact pin		zink plated	blue		1

NOTES

- 1 POWER CONTACT: 1 TO 8
OUTER DIMENSIONS OF INSULATION: MAX. Ø4,9 MM
- 2 SIGNAL CONTACT: 11 AND 32
OUTER DIMENSIONS OF INSULATION: MAX. Ø3,8 MM
- 3 GROUNDING CONTACT
- 4 SUITABLE HOOD SIZE 4: SERIES HB; HD; EMV AND HIP
- 5 STANDARDS:
DIN EN 61984; DIN EN 60664-1
- 6 PACKAGING:
10 PIECES IN A CARTON

<small>THIS DRAWING IS A CONTROLLED DOCUMENT FOR AMP INCORPORATED. IT IS SUBJECT TO CHANGE AND THE CONTROLLING ENGINEERING ORGANIZATION SHOULD BE CONTACTED FOR THE LATEST REVISION. DIESES ZEICHNUNGSDOKUMENT WIRD DURCH AMP INCORPORATED KONTROLLIERT. ÄNDERUNGEN, DIE DEM TECHNISCHEN FORTSCHRITT DIENEN, SIND VORBEHALTEN. DEN JEWELN LETZTLIEGENDEN ÄNDERUNGSSTAND BEFOLGEN SIE ALF ANFRAGE.</small>		DWN 24.01.2005 SCHNEIDER				Tyco / Electronics AMP GmbH D - 53819 Neunkirchen	
DIMENSIONS: DIMENSIONEN: mm		TOLERANCES UNLESS OTHERWISE SPECIFIED: ALLGEMEINTOLERANZEN n. ISO 8015 n. ISO 2768 - mH -E n. DIN 16901 - 140		CHK 24.01.2005 R.SCHNEIDER		APVD 24.01.2005 T.SCHNURPFEIL	
		MATERIAL		NAME MALE INSERT HMX.8/24		RESTRICTED TO NUR FUER	
		FINISH / OBERFLÄCHE / FARBE		SIZE A3		CAGE CODE 00779	
		WEIGHT GEWICHT		DRAWING NO ZEICHNUNGS-NR. 1103089		SCALE MASSSTAB 1:1	
CUSTOMER DRAWING / KUNDENZEICHNUNG				SHEET BLATT 1		OF VON 1	
				REV A3			