

**ebm-papst St. Georgen GmbH & Co. KG**

Hermann-Papst-Str. 1
 D-78112 St. Georgen
 Phone +49 (0) 7724 81-0
 Fax +49 (0) 7724 81-1309
 info2@de.ebmpapst.com
 www.ebmpapst.com

Nominal data

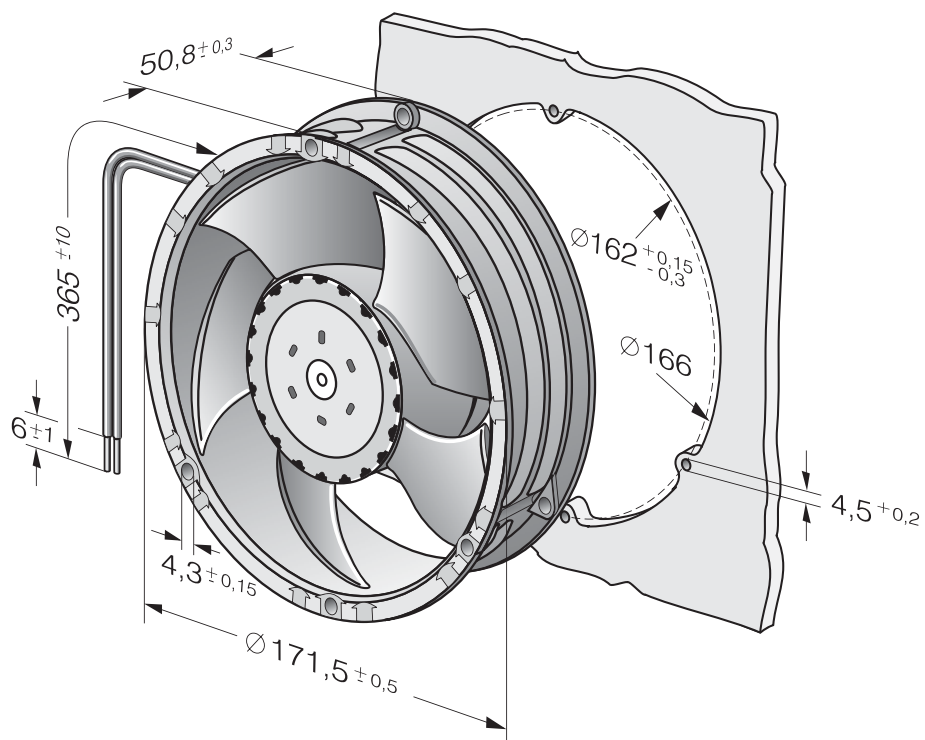
Type	6314 /2NP	
Nominal voltage	VDC	24
Nominal voltage range	VDC	16 .. 30
Speed	min ⁻¹	4400
Power input	W	23
Min. ambient temperature	°C	-20
Max. ambient temperature	°C	70
Air flow	m ³ /h	470
Sound power level	B	6.5
Sound pressure level	dB(A)	56

ml = Max. load · me = Max. efficiency · fa = Running at free air · cs = Customer specs · cu = Customer unit
 Subject to alterations

Technical features

Impeller material	Fibreglass-reinforced plastic (PA)
Mass	0.91 kg
Dimensions	172 Ø x 51 mm
Housing material	Die-cast aluminium
Direction of air flow	Air exhaust over bars
Direction of rotation	Counter-clockwise, looking at rotor
Bearing	Ball bearing
Lifetime L10 at 40 °C	80000 h
Lifetime L10 at maximum temperature	40000 h
Connection line	With single strands AWG 22, TR 64

Product drawing



Charts

