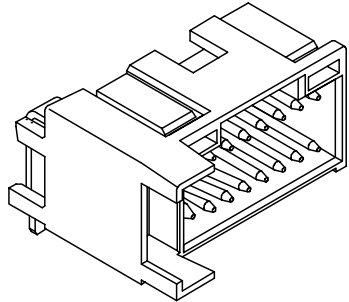
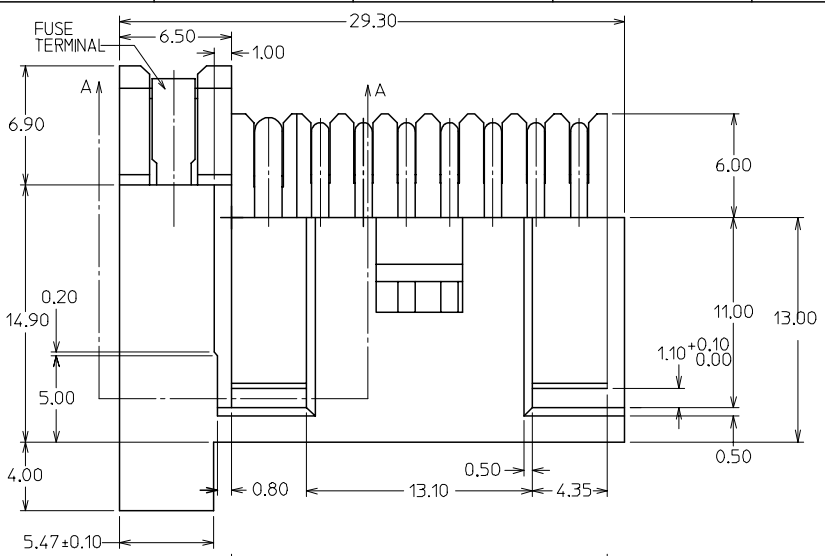
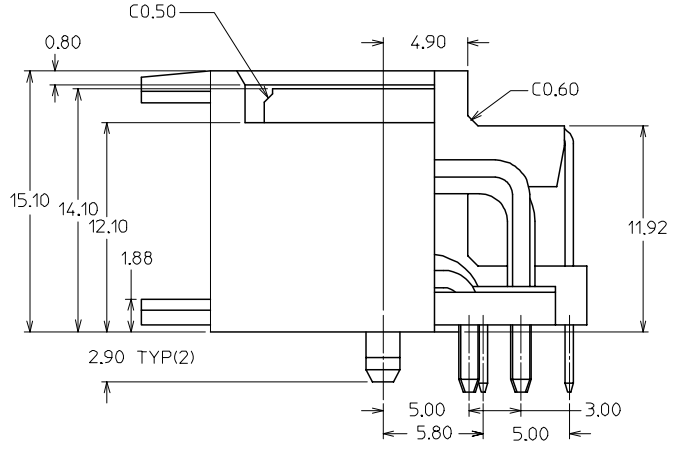
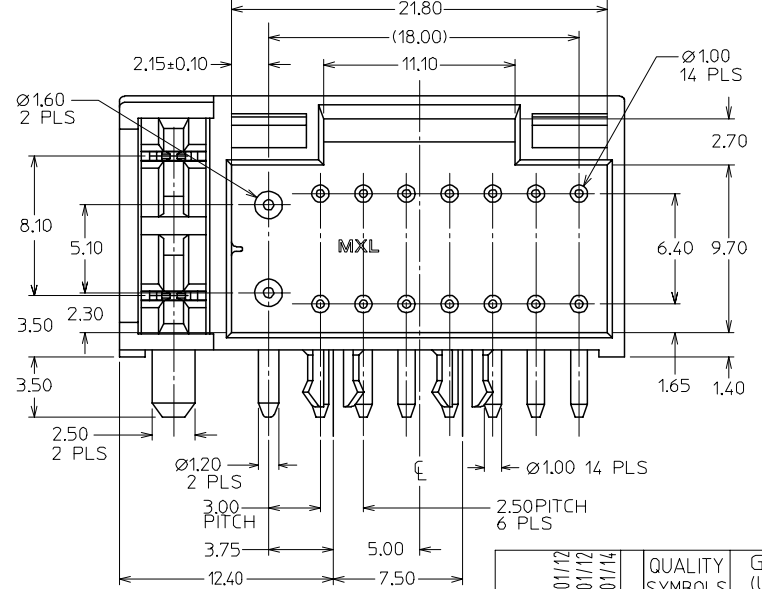


PART NO	LEAD FREE	SIGNAL PIN QTY	POWER PIN QTY	FUSE TERMINAL QTY
87527-1611	NO $\frac{\Delta}{2}$	14	2	2
87527-1612	YES $\frac{\Delta}{2}$	14	2	2



ISOMETRIC VIEW OF CONNECTOR



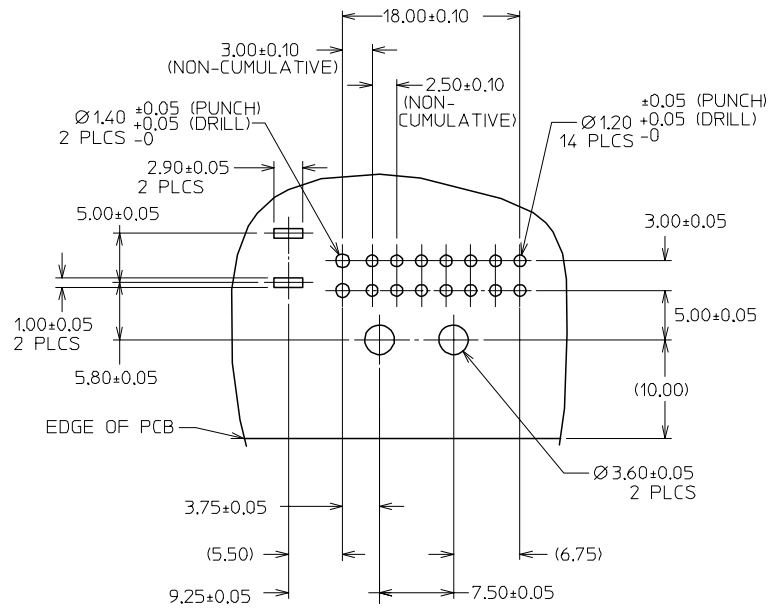
REVISE NOTE 2.	2005/01/12	
EC NO: S2005-0376	2005/01/12	
DRAWN:ATSEE	2005/01/12	
CHKD:SHONG	2005/01/12	
APPR:SKTOH	2005/01/14	
REV	DESCRIPTION	
B1		

QUALITY SYMBOLS	▽=0
	∇=0

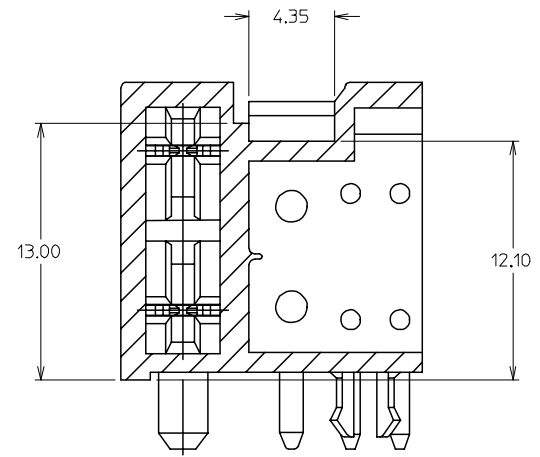
GENERAL TOLERANCES (UNLESS SPECIFIED)	
	mm INCH
4 PLACES	± --- ± ---
3 PLACES	± --- ± ---
2 PLACES	± 0.2 ± ---
1 PLACE	± --- ± ---
ANGULAR ± 3 °	
DRAFT WHERE APPLICABLE MUST REMAIN WITHIN DIMENSIONS	

DIMENSION STYLE	
MM ONLY	
DRAWN BY	DATE
GMS IMMEL	1997/02/13
CHECKED BY	DATE
SKTOH	1997/05/08
APPROVED BY	DATE
PTHO	1997/05/09
MATERIAL NO.	DOCUMENT NO.
SEE TABLE	SD-87527-007
SIZE	
A3	

SCALE	DESIGN UNITS	THIRD ANGLE PROJECTION
NTS	METRIC	
SALES DRAWING		
2.5/3.0 W-T-B HEADER		
WITH SINGLE FUSE SOCKET		
MOLEX INCORPORATED		
DOCUMENT NO.		SHEET NO.
SD-87527-007		1 OF 2
THIS DRAWING CONTAINS INFORMATION THAT IS PROPRIETARY TO MOLEX INCORPORATED AND SHOULD NOT BE USED WITHOUT WRITTEN PERMISSION		



PCB LAYOUT : COMPONENT SIDE
RECOMMENDED PCB THICKNESS = 1.20-1.60



SECTION A-A

NOTES:-

1. MATERIALS:
HOUSING: - NYLON, UL94-V2
COLOR: BLACK
SIGNAL PINS - BRASS, 1.00 DIA.
POWER PINS - BRASS, 1.60/ 1.20 DIA.
FUSE TERMINALS - BRASS, 0.5mm THK.
- △ FINISH:
(A) TIN/ LEAD OVER NICKEL UNDERPLATE OVERALL.
OR
(B) TIN OVER NICKEL UNDERPLATE OVERALL.
3. PRODUCT SPECIFICATION: PS-87527-0001.

REVISE NOTE 2. EC NO: S2005-0376 DRAWN:ATSEE 2005/01/12 CHKD:SHONG 2005/01/12 APPR:SKTOH 2005/01/14	QUALITY SYMBOLS ▽=0 ▽=0	GENERAL TOLERANCES (UNLESS SPECIFIED)		DIMENSION STYLE MM ONLY		SCALE NTS	DESIGN UNITS METRIC	THIRD ANGLE PROJECTION		
			mm	INCH	DRAWN BY GMS IMMEL	DATE 1997/02/13	TITLE SALES DRAWING 2.5/3.0 W-T-B HEADER WITH SINGLE FUSE SOCKET MOLEX INCORPORATED			
		4 PLACES	± ---	± ---	CHECKED BY SKTOH	DATE 1997/05/08				
		3 PLACES	± ---	± ---	APPROVED BY PTHO		DATE 1997/05/09	DOCUMENT NO. SD-87527-007		
2 PLACES	± 0.2	± ---	DRAFT WHERE APPLICABLE MUST REMAIN WITHIN DIMENSIONS		SIZE A3	SHEET NO. 2 OF 2				
1 PLACE	± ---	± ---			THIS DRAWING CONTAINS INFORMATION THAT IS PROPRIETARY TO MOLEX INCORPORATED AND SHOULD NOT BE USED WITHOUT WRITTEN PERMISSION					
		ANGULAR ± 3 °								