

## D-SUB bus connector - SUBCON-PLUS F3 - 2761871

Please be informed that the data shown in this PDF Document is generated from our Online Catalog. Please find the complete data in the user's documentation. Our General Terms of Use for Downloads are valid (<http://phoenixcontact.com/download>)



D-SUB connector, 9-pos. female connector, two cable entries < 35°, bus system: CANopen, FIP, pin assignment: 2, 3, 6, 7, 8, 9 to two screw connection terminal blocks



### Key commercial data

Packing unit	1 pc
GTIN	4 017918 156299
Weight per Piece (excluding packing)	61.4 g
Custom tariff number	85366990
Country of origin	Germany

### Technical data

#### Dimensions

Max. cable diameter	10 mm
Min. cable diameter	6 mm

#### Ambient conditions

Ambient temperature (operation)	-20 °C ... 75 °C
Altitude	5000 m (For restrictions see manufacturer's declaration)

#### General

Nominal voltage $U_N$	50 V
Nominal current $I_N$	100 mA
Bus system	CAN OPEN, FIP
Signal	RS-485
Insertion/withdrawal cycles	> 200
SUBCON fixing screws	4-40 UNC
Tightening torque	0.4 Nm
Housing material	ABS, metal-plated
Pin assignment	2,3,6,7,8,9 on two terminal blocks

# D-SUB bus connector - SUBCON-PLUS F3 - 2761871

## Technical data

### Connection data

Connection	D-SUB connection
Number of positions	9
Connection method	D-SUB socket
Tightening torque	0.4 Nm
Connection	PCB connection
Connection method	Screw connection
Conductor cross section stranded min.	0.14 mm <sup>2</sup>
Conductor cross section stranded max.	1 mm <sup>2</sup>
Conductor cross section solid min.	0.14 mm <sup>2</sup>
Conductor cross section solid max.	1.5 mm <sup>2</sup>
Conductor cross section AWG/kcmil min.	26
Conductor cross section AWG/kcmil max.	16
Stripping length	5 mm
Tightening torque	0.4 Nm

## Classifications

### eCl@ss

eCl@ss 4.0	27140816
eCl@ss 4.1	27140816
eCl@ss 5.0	27143424
eCl@ss 5.1	27143424
eCl@ss 6.0	27143424
eCl@ss 7.0	27440209
eCl@ss 8.0	27440302

### ETIM

ETIM 2.0	EC001132
ETIM 3.0	EC001132
ETIM 4.0	EC001132
ETIM 5.0	EC001132

### UNSPSC

UNSPSC 6.01	30211802
UNSPSC 7.0901	39121402
UNSPSC 11	39121402
UNSPSC 12.01	39121402
UNSPSC 13.2	39121402

## Approvals

### Approvals

# D-SUB bus connector - SUBCON-PLUS F3 - 2761871

## Approvals

---

Approvals

UL Recognized / cUL Recognized / EAC / cULus Recognized

---


Ex Approvals

---

Approvals submitted


---

## Approval details

UL Recognized 

cUL Recognized 

EAC

cULus Recognized 

## Accessories

Accessories

Data plug

D-SUB gender changer - VS-09-GC-ST/ST - 1652651



D-SUB contact insert, shell size 1, with nine signal contacts, contact type pin, gender changer, fixing with 4-40 UNC thread

---

Mounting material

# D-SUB bus connector - SUBCON-PLUS F3 - 2761871

## Accessories

Screw - SUBCON-SHORT-SCREW - 2799694



Optional mounting screw, without knurl for narrow installation conditions, slotted head, length: 40 mm, UNC 4-40 thread Supplied as standard: 1 bag of 20 screws

Screw - SUBCON-RAENDEL-SCREW-3MM - 2310387



Optional mounting screw, with knurl for mounting by hand or using a screwdriver, bladed, length: 56 mm, metric M3 thread

## Screwdriver tools

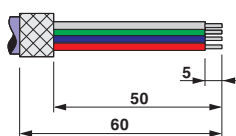
Screwdriver - SZF 0-0,4X2,5 - 1204504



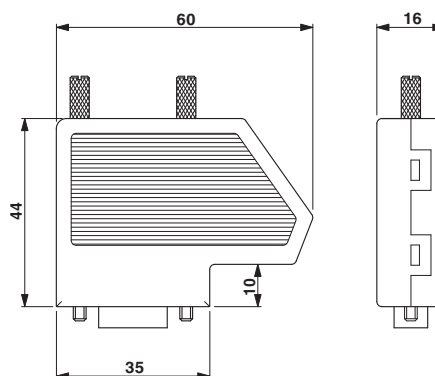
Actuation tool, for ST terminal blocks, also suitable for use as a bladed screwdriver, size: 0.4 x 2.5 x 75 mm, 2-component grip, with non-slip grip

## Drawings

Schematic diagram



Dimensioned drawing

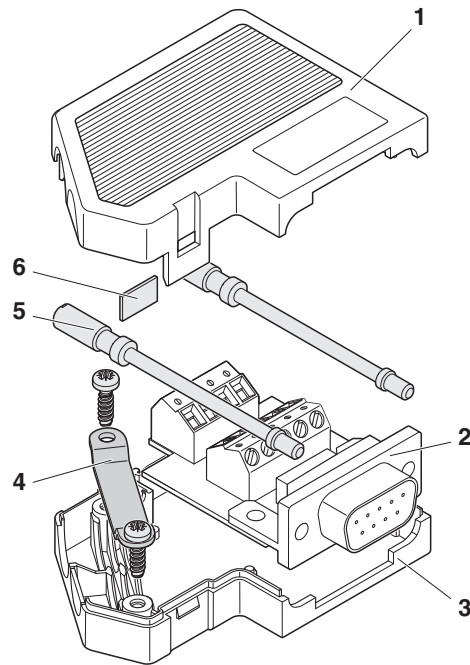


Stripping specifications

Dimensional drawing SUBCON-PLUS...

## D-SUB bus connector - SUBCON-PLUS F3 - 2761871

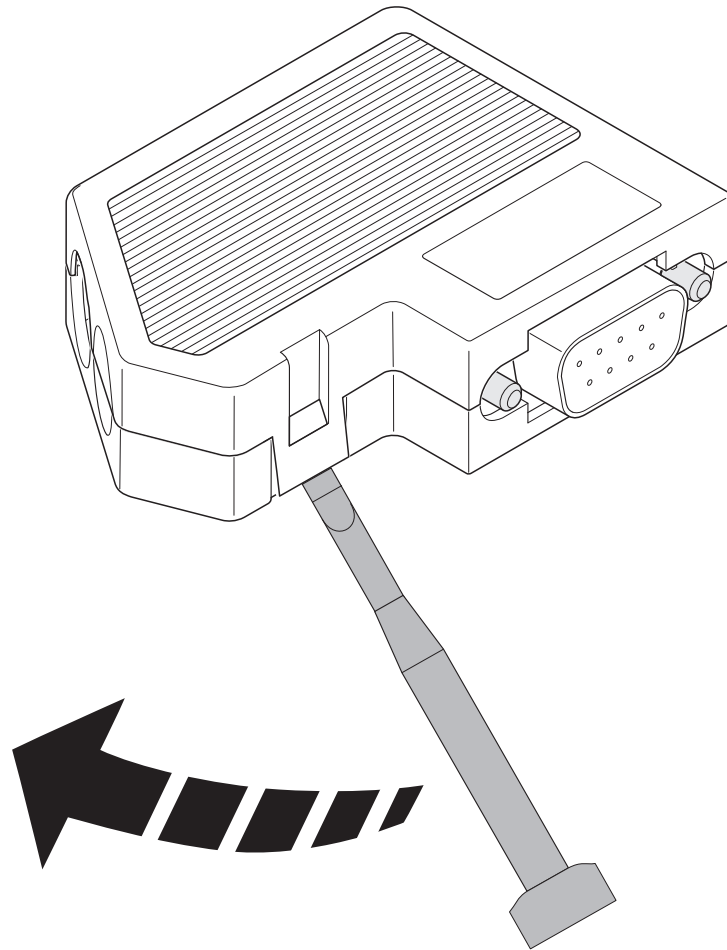
Schematic diagram



Function elements

## D-SUB bus connector - SUBCON-PLUS F3 - 2761871

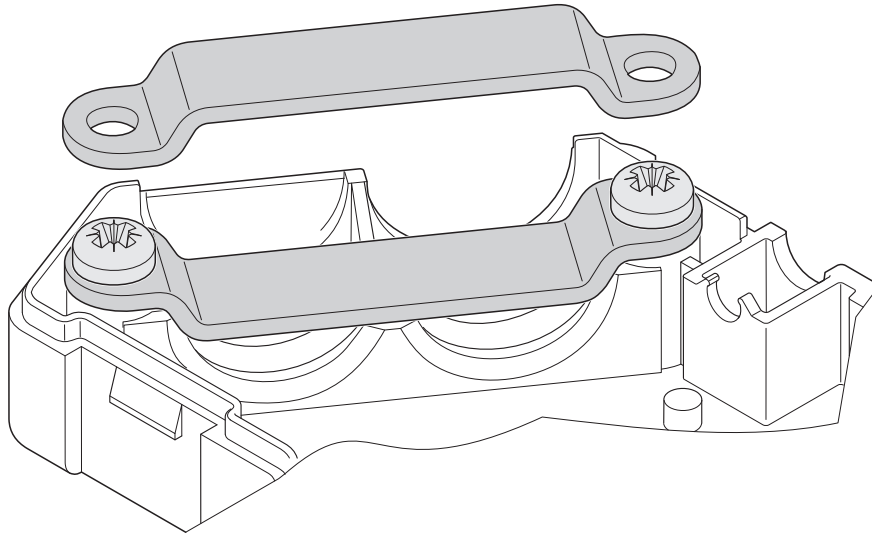
Schematic diagram



Opening the housing

## D-SUB bus connector - SUBCON-PLUS F3 - 2761871

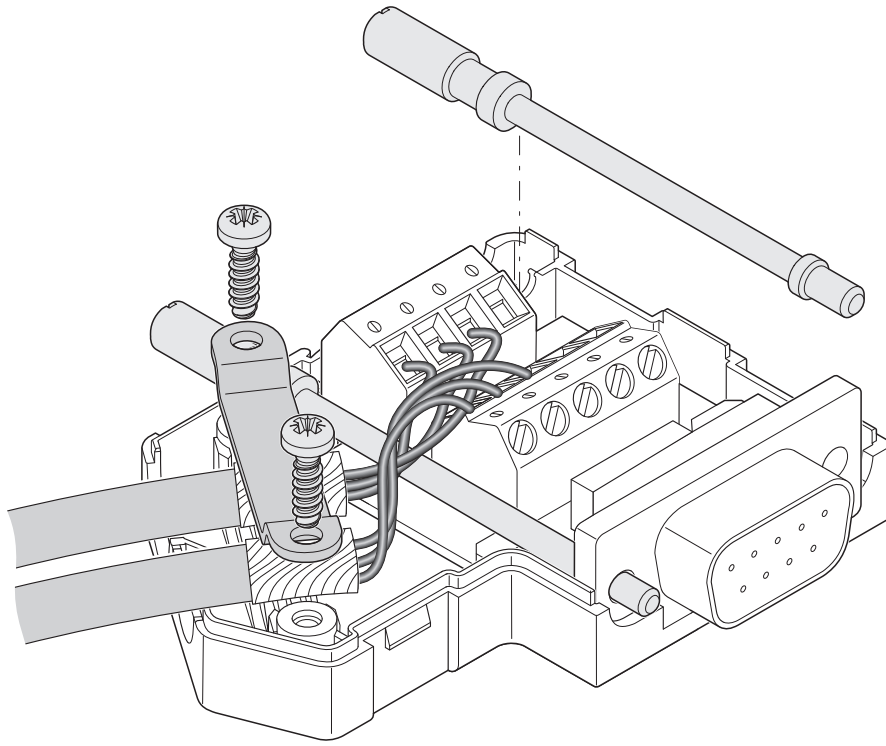
Schematic diagram



Clip bracket

## D-SUB bus connector - SUBCON-PLUS F3 - 2761871

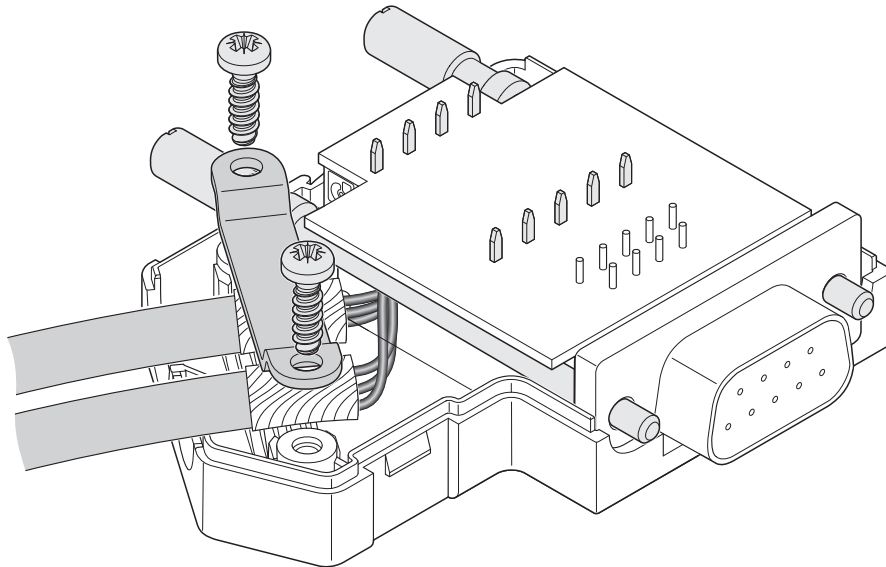
Schematic diagram



Left-hand side cable entry

## D-SUB bus connector - SUBCON-PLUS F3 - 2761871

Schematic diagram



Right-hand side cable entry

---

Phoenix Contact 2015 © - all rights reserved  
<http://www.phoenixcontact.com>