

TECHNICAL DATA SHEET

This range of Xenon (sometimes called Strobe) type beacons is a cost effective solution for local signalling applications. These beacons are of the flashing mode type (single stage alarm) and are controlled via a PCB putting out a very brief but bright flash of white light by ionizing and then discharging a large current through the xenon gas inside the tube. Termination is inside the enclosure. The 3-Point fix design allows for termination through the base aperture via an M12 sealing grommet.

The XA version incorporates two piezo buzzers situated in the base of the unit that can either be synchronised to the flash rate or controlled independently of the light offering a combined audible and visual warning device.

Voltage:	Light Source:	Current:
10-100v Dc --- 20-72v Ac ~	Xenon 2.0 J Xenon 2.0 J	130 mA • 130 mA
115v Ac ~	Xenon 2.3 J	30 mA
230v Ac ~	Xenon 2.7 J	21 mA
XA125-56 & 63 - 230v Ac ~	Xenon 2.7 J	120 mA ••

- at 24v Dc
- with both audible & visual signals operating at the same time.

Lens Colour Selection

01 = Amber, **02** = Red, **03** = Blue, **04** = Green, **05** = Clear.

Key Features

- Ingress Protection: Weatherproof to IP65
- Case Materials: UV Stable Polycarbonate Lens, UV Stable ABS Base
- Operating Temperature Range: -25⁰c +55⁰c
- AC Supply: 50/60 Hz
- Cabling Details: Will except sheathed cable up to 7mm in diameter.
Maximum 1.5mm² (14 – 22 AWG) stranded core with 4mm cut back.

XA125-56 & 63

- Buzzers Frequency: 3.1kHz +/- 500Hz
- Audibility: 90 dBA +/- 3 @ 1 Metre

Optional Equipment

50003 Cage Guard (fixings supplied) Note: Guard cannot be used in conjunction with wall brackets.
50007 Right Angled Wall Bracket.

Moflash part code S00575



INSTALLATION & TECHNICAL INFORMATION

PLEASE READ PRIOR TO INSTALLATION



X125 Series - (Xenon/Strobe)

X125-Ac/Dc, 55, 56, 62, 63, 64 & XA125>

VISUAL & AUDIBLE COMBINATION SIGNALLING DEVICES

APPROVALS AND
CONFORMITIES



Website: www.moflash.com

Email: technical@moflash.co.uk

INSTALLATION DATA SHEET

X125-Ac/Dc, 55 & 56: 2-Point Fix Base

If supplied with lens pre-fitted, remove the 2 x M4 screws that secure the lens to the base. Remove the inner PCB lamp assembly & fastener pouch. Fix base to the required surface, utilising rubber gasket, with 2 x M4 screws (not supplied). Insert power cable through aperture in base, enlarge if required & connect to PCB terminal block as stated below. Place PCB lamp assembly into base noting the position of the two internal mounting lugs. Fix the PCB onto the lugs using the 2 x No: 4 screws supplied. Make sure that the base 'O' ring is in position before re/fitting the lens to base. Ensure the two screws are tightened evenly and a good all round seal is made.

XA125-56 & 63 & X125-62 & 64: 3-point Fix Base

Remove 3 x M3 screws and the base plate from the body. Pierce the cable grommet. Insert power cable through the grommet. Connection is then made to the PCB located in the top of the body.

Once power connections have been made, gently push back the base plate so that excessive cable slack is taken up (being careful not to entangle the piezo buzzer wiring, if the beacon is an audible version) but leaving at least 10mm spare inside the body enclosure. Fit base plate back onto the body, insuring that the gasket is in place & secure with the 3 x M3 screws. Now slightly pull back by 10mm the power cable through the grommet to form a weatherproof seal. Fix base to required surface using 3 x M4 screws (not supplied).

Connections

X125-Ac/Dc & 64

Dc supply - Connect positive lead to the '+' terminal and the negative lead to the '-' terminal.

Termination is polarity conscious.

X125-55 & 62

Ac supply - Termination is not polarity conscious.

Connect Live lead to terminal marked 'L' and Neutral lead to the 'N' terminal. Termination is polarity conscious.

X125-56 & 63

Connect Live and Neutral to pcb terminals (see picture 1).

Termination is not polarity conscious.

XA125-56 & 63

Connect Live leads to terminals marked 'L1 & L2',

Neutral to middle terminal (see picture 2)

L1 controls the xenon lamp. L2 controls the buzzer.

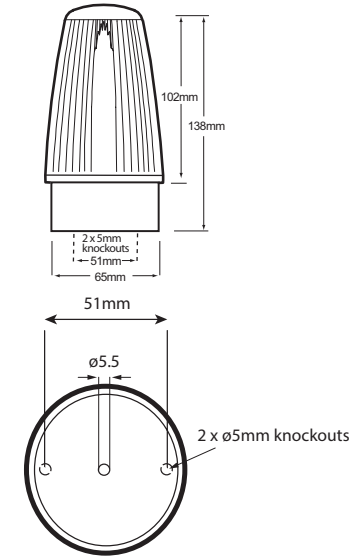
Buzzers are factory set for continuous tone.

To enable synchronised pulse tone operation, remove the link at J5.

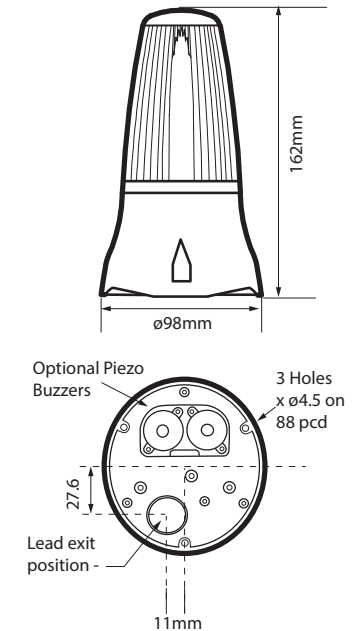
General Installation Notes

- Installation must be carried out in accordance with the latest codes and regulations by a qualified electrician.
- Ensure power is disconnected prior to installation or maintenance. Xenon type units must be left for a minimum of 5 minutes after power has been disconnected before maintenance can begin.
- Environmental exposure conditions during installation should be dry, not moist or wet.
- The lens of the unit is Polycarbonate Plastic. Do not clean with petroleum based cleaners.
- For all installations, mount the beacon with the lens above the base. Any other mounting position will impair the IP rating (Ingress Protection) of the unit.
- Avoid mounting the beacon where it will be subject to excessive vibration.

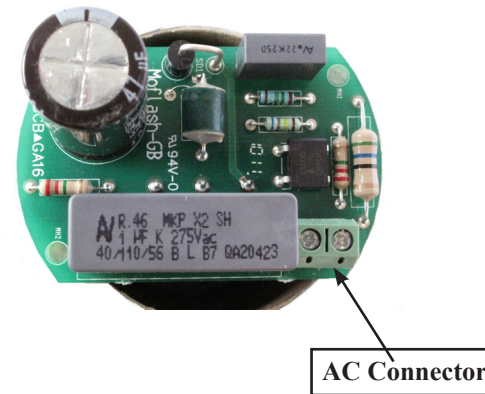
X125-Ac/Dc, 55 & 56 Series



XA125-56 & 63 and X125-62 & 64 Series



Picture 1



Picture 2

