

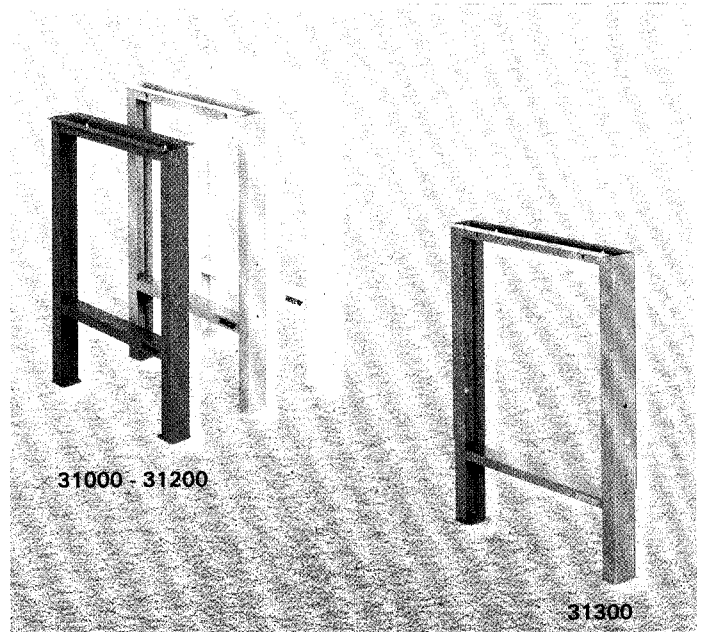
## Workbench Stands and Accessories

for individual workplace design.  
The adaptable modular system, consisting of workbench stands in various heights, versatile drawer sets and worktops in various dimensions.

### 31 Workbench Stands

in strong, U-section steel 80x50x2mm.  
With lower crossbar (230 mm high) also suitable as support for additional shelving, and drilled footplate for bolting to the floor.  
Including installation material.

No.	H x D mm	Kg
31100	750 x 630	7
31000	800 x 630	8
31200	850 x 630	9



### 31 Adjustable Workbench Stand

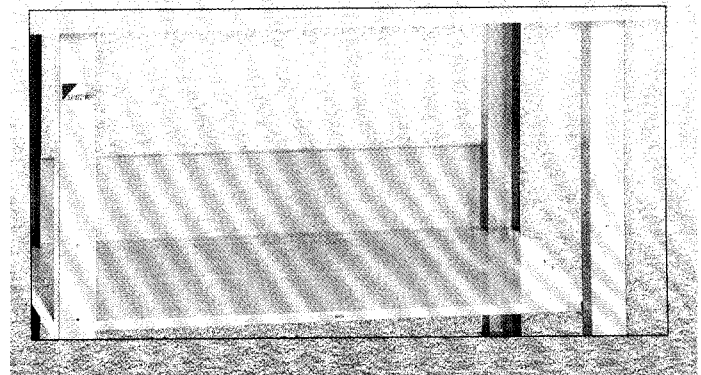
in strong U-section steel.  
Height adjustable in 25 mm steps.

No.	H mm	D mm	Kg
31300	600-950	630	10

### 83 Shelves and Back Panels

for all workbenches with 2 stands.  
For a complete assembly, both shelves are required.  
In powder-coated sheet steel.

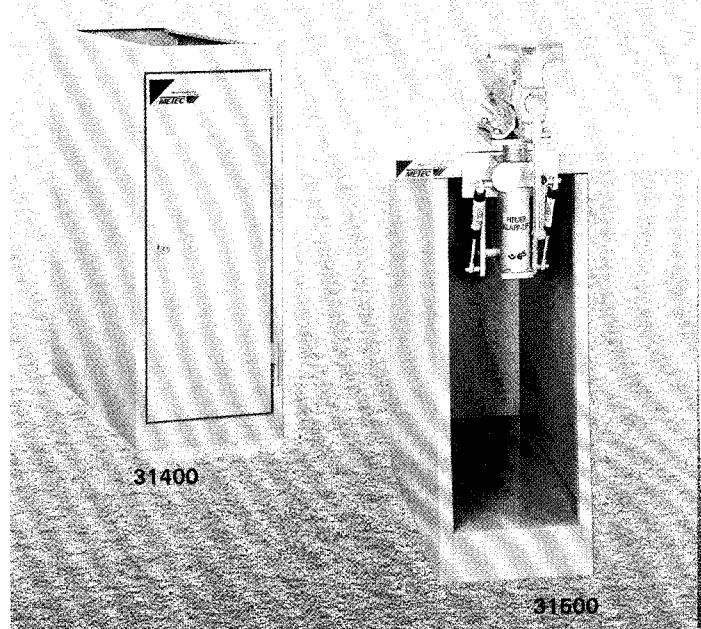
No.		L mm	Kg
83110	Back panel	1200	4
83210	Shelf	1200	4
83120	Back panel	1700	6
83220	Shelf	1700	6



### 31 Cupboard Unit (as Stand)

1 door, with cylinder lock and shelf (galvanized), powder-coated sheet steel.

No.	H x W x D mm	Kg
31400	800 x 240 x 600	20



### 31 Lower Cupboard Stand Unit, open

with base 100 mm high, set up for foldback vice (not supplied), in powder-coated sheet steel.

No.	H x W x D mm	Kg
31500	800 x 320 x 600	21

Threaded sleeves installed in the underside of the worktop make assembly to your own design or as in our examples very easy.

Attachment using machine bolts M8x25.

### Bench units in line

When setting up the units in line, please order bench stands with tightening screws.

