



# Datasheet

## Process Ball Valve

ENGLISH

RS Stock number **812-5148**



### Quality:

- 24h 100% seal test guaranteed
- Dual sealing system allows valve to be operated in either direction making installation easier
- No metal-to-metal moving parts
- No maintenance ever required
- Handle clearly shows ball position
- Silicone-free lubricant on all seals
- Chrome plated DZR brass ball for longer life
- Handle stops on body to avoid stresses at stem

### Body:

- Hot forged sand blasted DZR unplated body and cap sealed with Loctite® or equivalent thread sealant
- Dezincification Resistant ADZ-T and ADZ-P brass approved to SBN-PFS 1983:2 and NR-BFS 1988:18 specifications

### Stem:

- Two FPM O-rings at the stem for maximum safety
- Blowout-proof unplated DZR brass stem

### Seals:

- Pure PTFE self-lubricating seats with flexible-lip design

### PED Directives:

- According to 97/23 CE module A: it cannot be used with dangerous gases in sizes larger than 25mm



### Threads:

- EN 10226-1, ISO 228 parallel female by female threads

### Flow:

- Full port to DIN 3357 for maximum flow

### Handle:

- Geomet® carbon steel handle with thick PVC dip coating. Handle coating offers both thermal and electrical protection
- Handle removable with valve in service

### Working Pressure:

- 30 Bar (450 PSI)
- non-shock cold working pressure

### Working Temperature:

- -40°C (-40°F) / +170°C (+350°F)
- Warning: freezing of the fluid in the installation may severely damage the valve

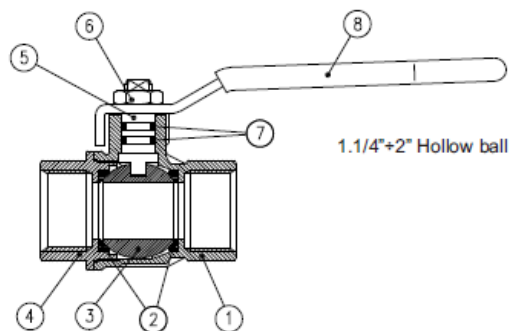
### Options:

- CW617N brass body and components
- T-handle
- AISI 430 stainless steel handle
- Oval lockable handle up to 2", round over 2"
- Brass stem extension
- Patented locking device for valves up to 4"

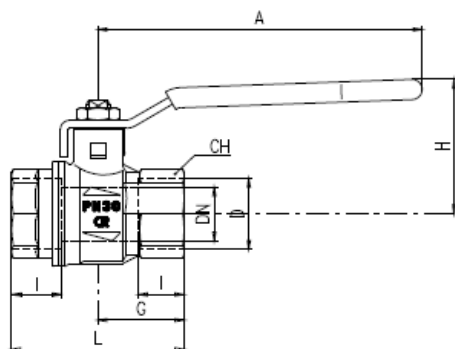
### Upon Request:

- AISI 316 stainless steel ball
- Glass filled PTFE seals
- Custom Design

**Technical Specifications:**

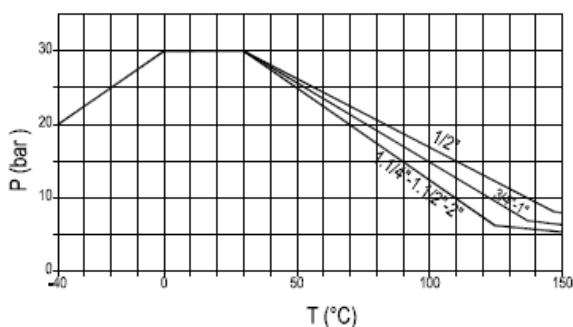


PART DESCRIPTION	Q.ty	Material
1 Unplated body	1	ADZ
2 Ball seat	2	Ptfe
3 Chrome plated ball	1	ADZ
4 Unplated end cap	1	ADZ
5 Unplated stem O-Ring design	1	ADZ
6 Geomet® nut	1	CB4FF
7 O-Ring	2	EPDM
8 White PVC coated geomet® steel handle	1	DD11



Code	S24D00	S24E00	S24F00	S24G00	S24H00	S24I00
D (inch)	1/2	3/4	1	1 1/4	1 1/2	2
DN(mm)	15	20	25	32	40	50
I (mm)	15.5	17	21	23	23	26.5
L (mm)	59	64	81	93	102	121
G (mm)	29.5	32	40.5	46.5	51	60.5
A (mm)	100	120	120	158	158	158
H (mm)	43	50	54	73	79	86
CH(mm)	25	31	40	49	54	68.5

**Pressure - Temperature Chart**



**Pressure Drop Chart**

