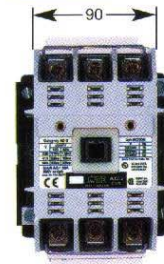


Order example: AXC2 50Hz 240V = 01 0320 50 240

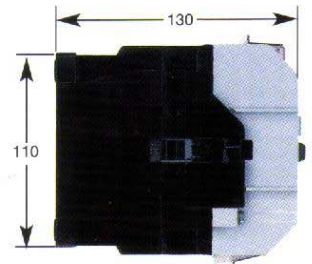
		Order reference	
AC3 3Ø 400V	AC-1 660V	Hz	Volts
AXC2 22kW (30hp) 120 ops/h	63A		01 0320
AXC3 30kW (40hp) 120 ops/h	80A		01 0330
AXC4 45kW (60hp) 120 ops/h	100A		01 0340
AXC5 63kW (85hp) 120 ops/h	180A		01 0350
AXC6 90kW (125hp) 120 ops/h	200A		01 0360
AXC7 132kW (175hp) 120 ops/h	350A		01 0370
AXC8 200kW (270hp) 120 ops/h	400A		01 0380

Hz	Hz	Volts					
		22-24	48-52	115-115	220-230	240	400-440
AXC2/3/4							
	50	50	024 052	115	240	400	440
	60	60		115			
	D.C.*	00	024		240		
AXC5/6/7/8							
	50	50		115	240	440	

AXC 2/3/4

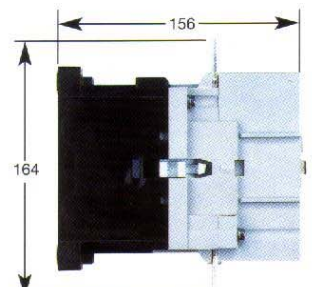


All dimensions in mm



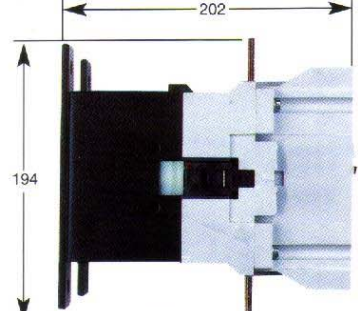
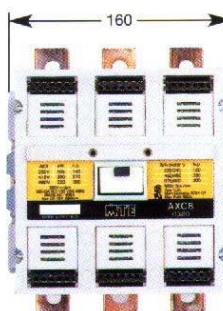
Fixing holes - 4 x 5Ø (75x82)

AXC 5/6



Fixing holes - 4 x 7Ø (95x110)

AXC 7/8



Fixing holes - 4 x 10Ø (120x150)