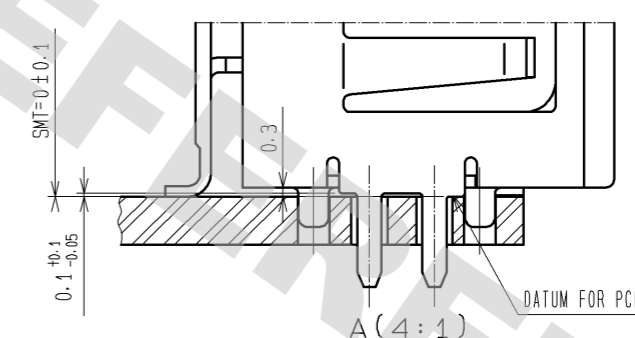
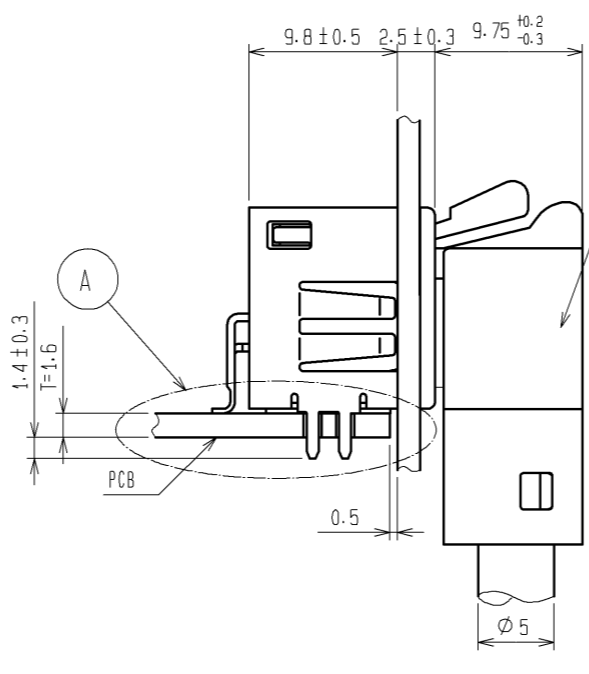
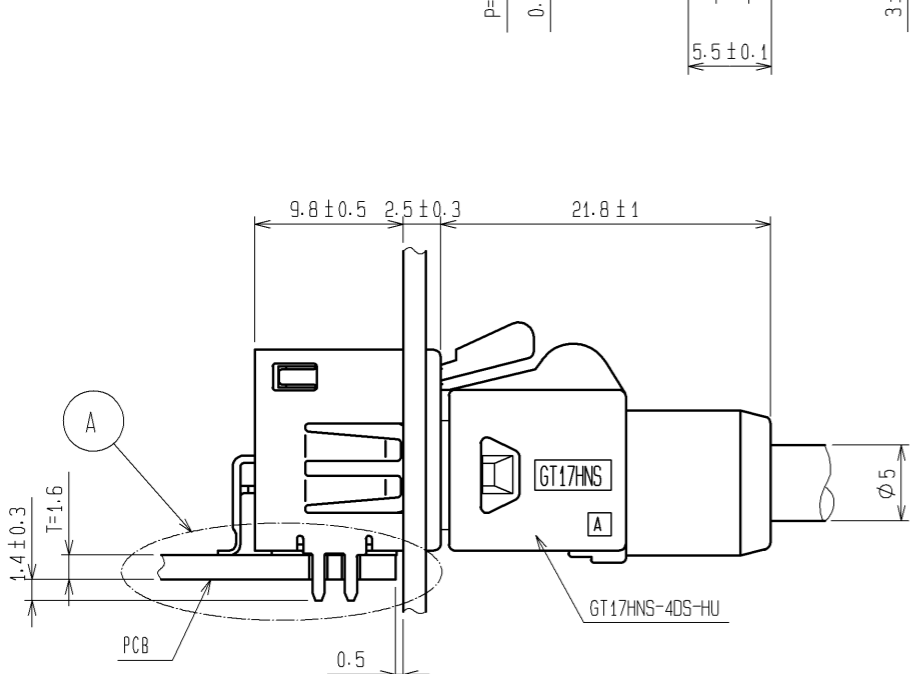
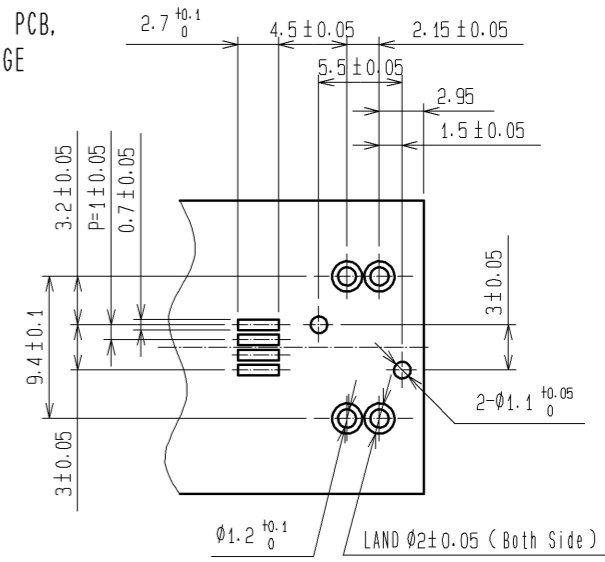
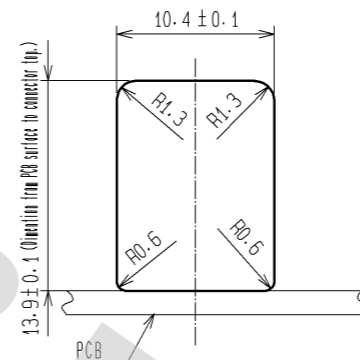
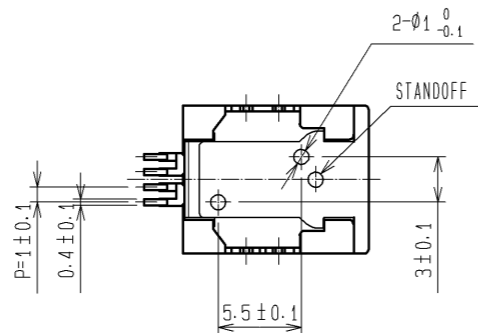
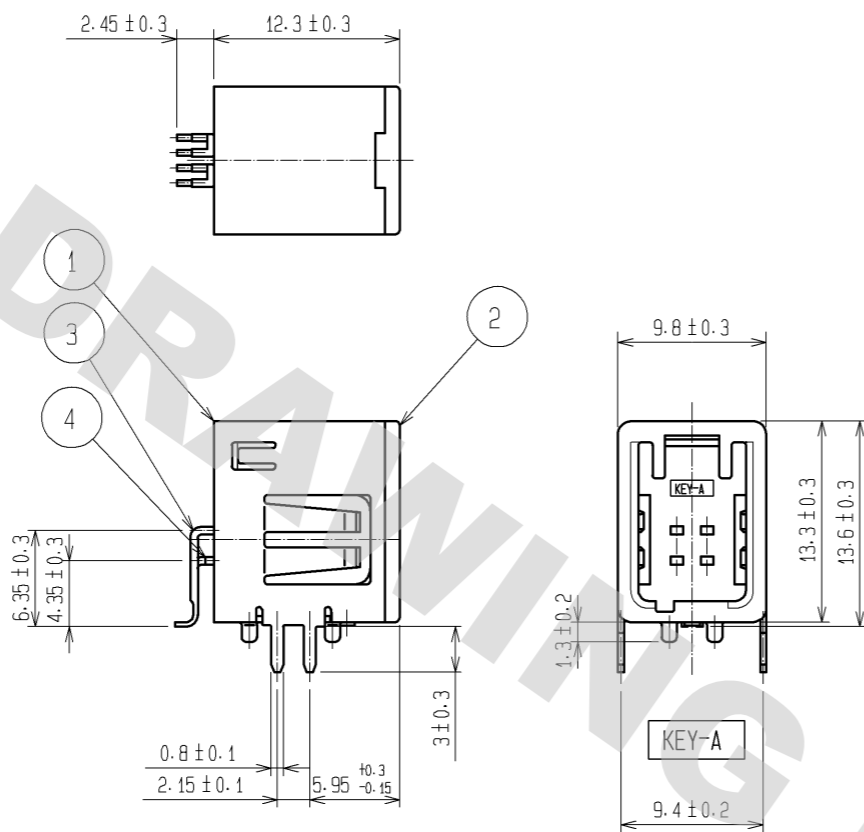
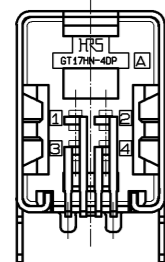
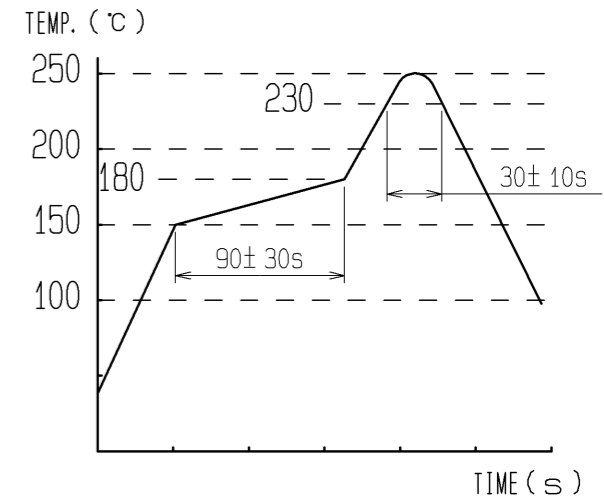


RoHS, ELV COMPLIANT

NOTES

- 1) SMT COPLANARITY: 0.1mm MAX.
- 2) RECOMMENDED THICKNESS OF SOLDERING PASTE: 0.12mm
- 3) RECOMMENDED REFLOW PROFILE (SEE RIGHT GRAFF)
TYPE:IR REFLOW
ATMOSPHERE: AIR OR N2
CYCLE TIME: UP TO 2 CYCLES OF REFLOW SOLDERING ARE POSSIBLE UNDER THE CONDITIONS, PROVIDED THAT THERE IS A RETURN TO NOMAL TEMPERATURE BETWEEN THE FIRST AND SECOND CYCLE.
PEAK TEMPERATURE: 250°C
230°C MIN. FOR 10 TO 30 SECONDS.
PREHEATING AREA 150°C FOR 60 TO 120 SECONDS.
- 4) HAND SOLDERING: 280-300°C, 2S MAX.
- 5) CONTACT COPLANARITY: 0.1mm MAX.
- 6) RECOMMENDED THICKNESS OF PCB: 1.6mm
- 7) FOR THE PREVENTION EXCESSIVE STRESS FOR CONNECTOR AND PCB, WE RECOMMEND ADDITIONAL SUPPORT MECHANISM IF THE FLANGE WAS ELIMINATED.



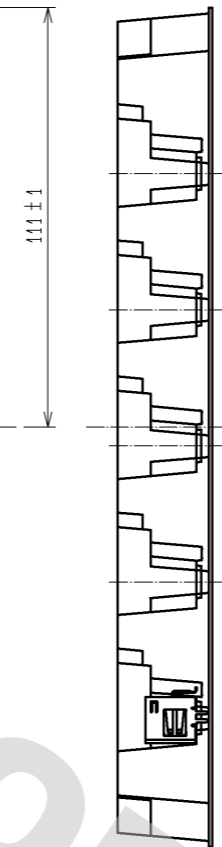
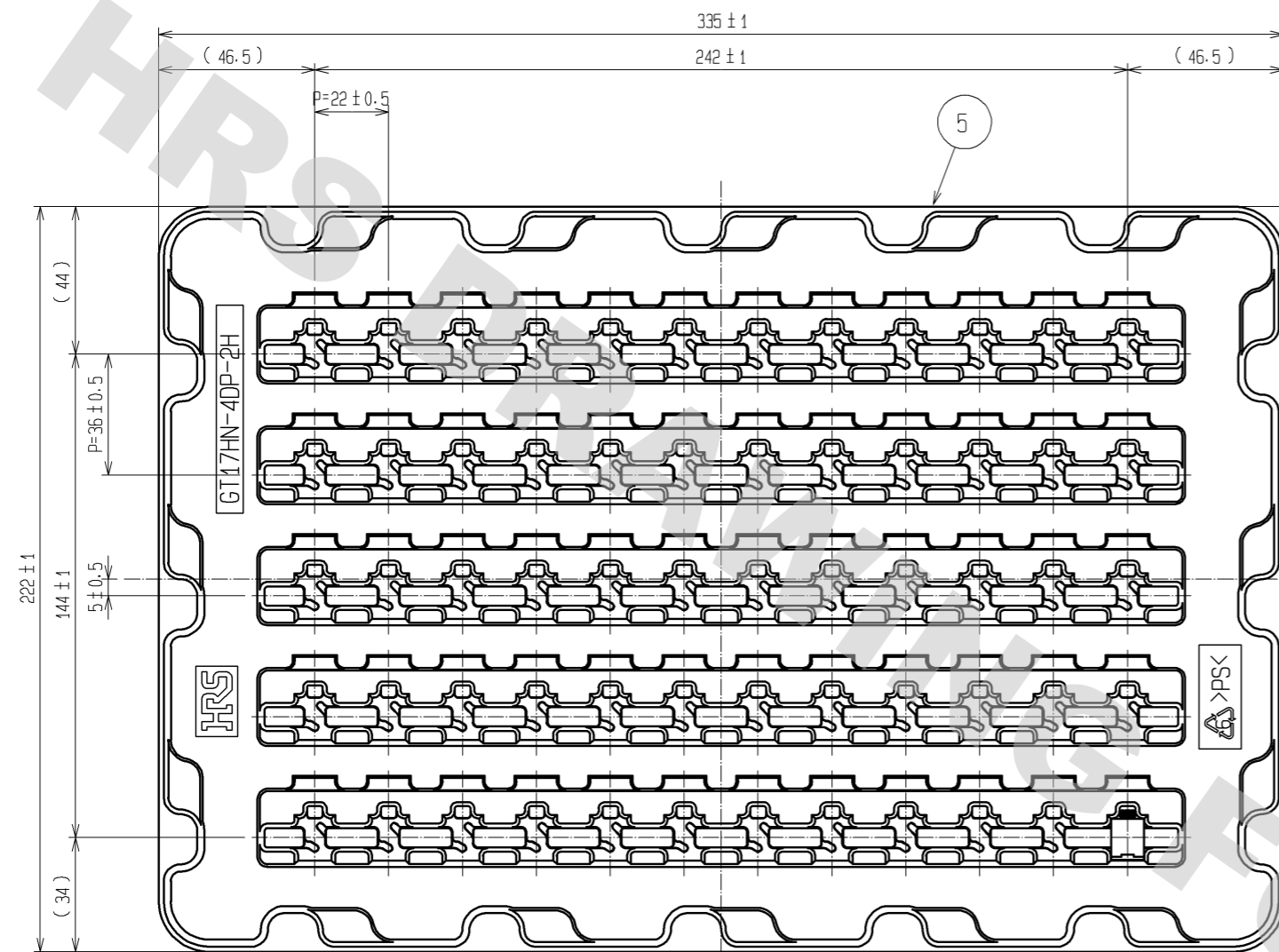
| NO. | MATERIAL | FINISH | REMARKS | NO. | MATERIAL | FINISH | REMARKS |
|-----|--------------|-------------|---------|-----|----------|-------------|---------|
| 2 | PPS | BROWN | | 5 | PS | NATURAL | |
| 1 | COPPER ALLOY | TIN PLATING | | 4 | BRASS | TIN PLATING | |
| | | | | 3 | BRASS | TIN PLATING | |

| UNITS | SCALE | COUNT | DESCRIPTION OF REVISIONS | DESIGNED | CHECKED | DATE |
|-------|-------|-------|--------------------------|----------|---------|----------|
| mm | 2 : 1 | △ | APPROVED : AR. SHIRAI | | | 10.02.16 |
| | | | CHECKED : AR. SHIRAI | | | 10.02.16 |
| | | | DESIGNED : NH. NAKATA | | | 10.02.16 |
| | | | DRAWN : NH. NAKATA | | | 10.02.16 |

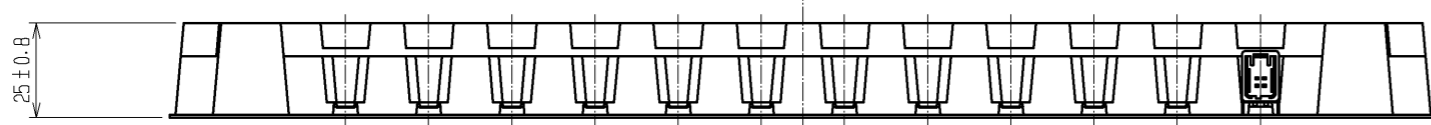
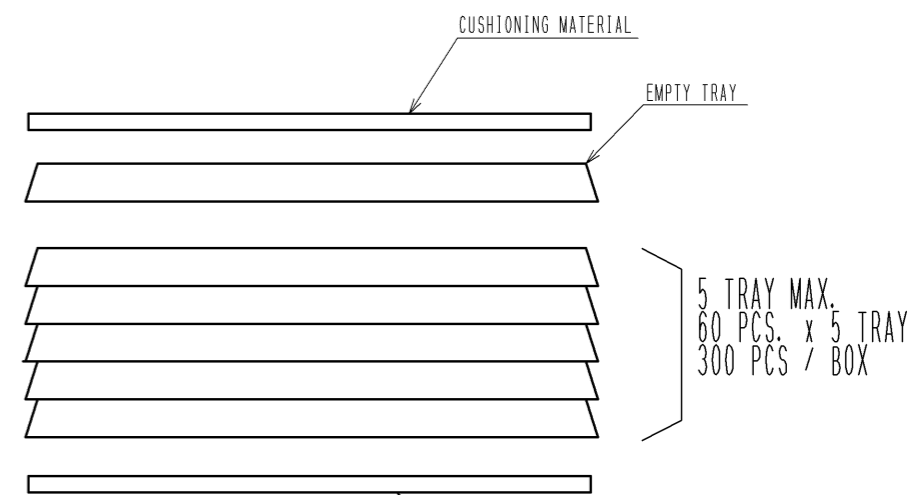
| | |
|-------------|----------------------|
| DRAWING NO. | EDC3-166813-05 |
| PART NO. | GT17HN-4DP-2H(A)<10> |
| CODE NO. | CL767-0144-6-10 |

DRAWING FOR REFERENCE: This is subject to change without notice 08/11/2012

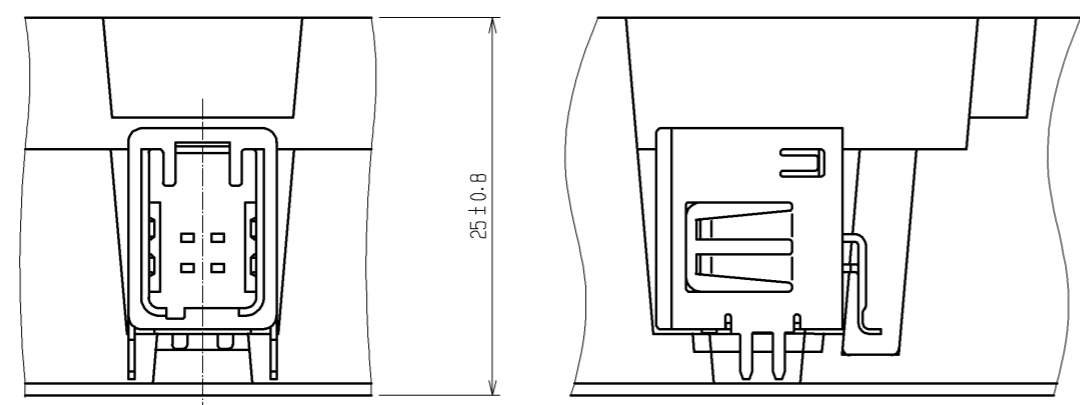
DRAWING FOR REFERENCE: This is subject to change without notice
08/11/2012



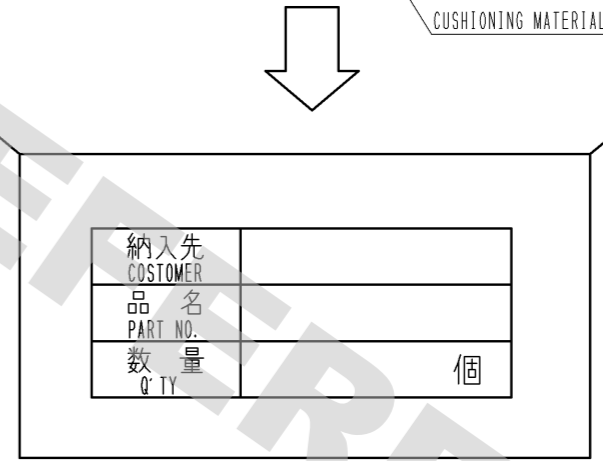
PACKAGING STYLE
BOX SIZE: W=270, D=360, H=150



60 PCS / TRAY



PACKAGING CONDITION(2:1)



| | | |
|------------|-------------|----------------------|
| HRS | DRAWING NO. | EDC3-166813-05 |
| | PART NO. | GT17HN-4DP-2H(A)(10) |
| | CODE NO. | CL767-0144-6-10 |
| | | △ 2/2 |