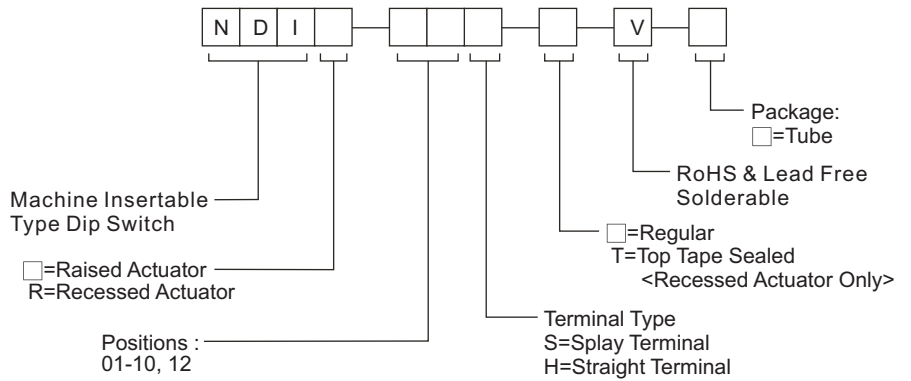


HOW TO ORDER



SPECIFICATION

MECHANICAL

Mechanical Life: 2,000 operations
Operation Force: 1,000gf max.
Stroke: 1.0 mm

ENVIRONMENTAL

Operation Temp: -20°C to +85°C
Storage Temperature: -40°C to +85°C

ELECTRICAL

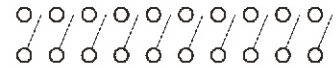
Electrical Life: 2,000 operations
Non-switching Rating: 100mA, 50VDC
Switching Rating: 25mA, 24VDC

PACKAGE

NDI(R)-01(-T): 130 pcs/tube
NDI(R)-02(-T): 76 pcs/tube
NDI(R)-03(-T): 55 pcs/tube
NDI(R)-04(-T): 42 pcs/tube
NDI(R)-05(-T): 34 pcs/tube
NDI(R)-06(-T): 29 pcs/tube
NDI(R)-07(-T): 25 pcs/tube
NDI(R)-08(-T): 22 pcs/tube
NDI(R)-09(-T): 20 pcs/tube
NDI(R)-10(-T): 18 pcs/tube
NDI(R)-12(-T): 15 pcs/tube

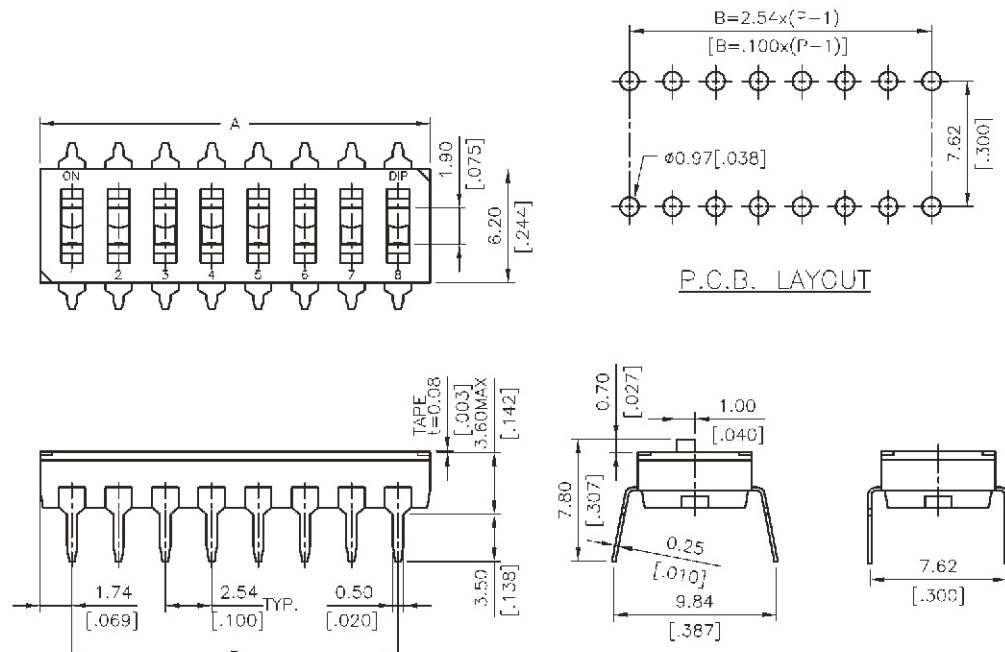
CIRCUIT

SCHEMATIC (IMP.)



(1,2,3,4,5,6,7,8,9,10,12, POS AVAIL)

NDI(R)



ND-12□	12	31.42	27.94
ND R-12□		[1.237]	[1.100]
ND-10□	10	26.34	22.86
ND R-10□		[1.037]	[.900]
ND-09□	9	23.80	20.32
ND R-09□		[.937]	[.800]
ND-08□	8	21.26	17.78
ND R-08□		[.837]	[.700]
ND-07□	/	18.72	15.24
ND R-07□		[.737]	[.600]
ND-06□	6	16.18	12.70
ND R-06□		[.637]	[.500]
ND-05□	5	13.64	10.16
ND R-05□		[.537]	[.400]
ND-04□	4	11.10	7.62
ND R-04□		[.437]	[.300]
ND-03□	3	8.56	5.08
ND R-03□		[.337]	[.200]
ND-02□	2	6.02	2.54
ND R-02□		[.237]	[.100]
ND-01□	1	3.48	---
ND R-01□		[.137]	
PROD. NO.	NO. OF POS.	DIM. A	DIM. B