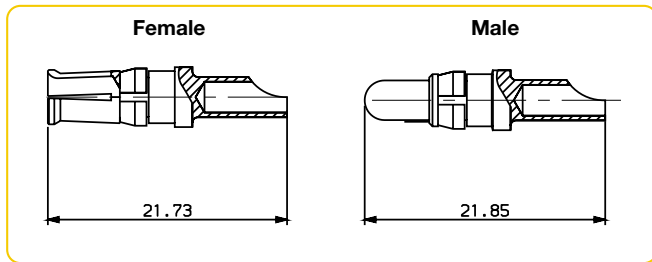


*Cable applications*

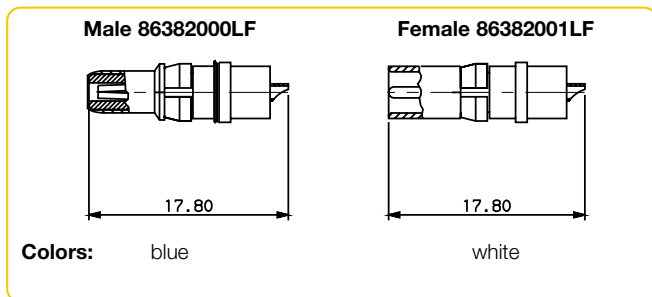
## POWER CONTACTS - METAL CLIP



Wire Size	Max. current	Part numbers	
		Male	Female
AWG8	40A	86303098NLF	86303099NLF
AWG12	20A	86303056NLF	86303057NLF
AWG14	15A	86303060NLF	86303061NLF
AWG16	10A	86303064NLF	86303065NLF

Durability : 500 mating/unmating

## HIGH VOLTAGE CONTACTS



These removable contacts are suitable for the contact cavities of the DMW series and DW series.

The coaxial contacts are in compliance with:

- NFC 93569
- KMX4 specification

## ELECTRICAL CHARACTERISTICS

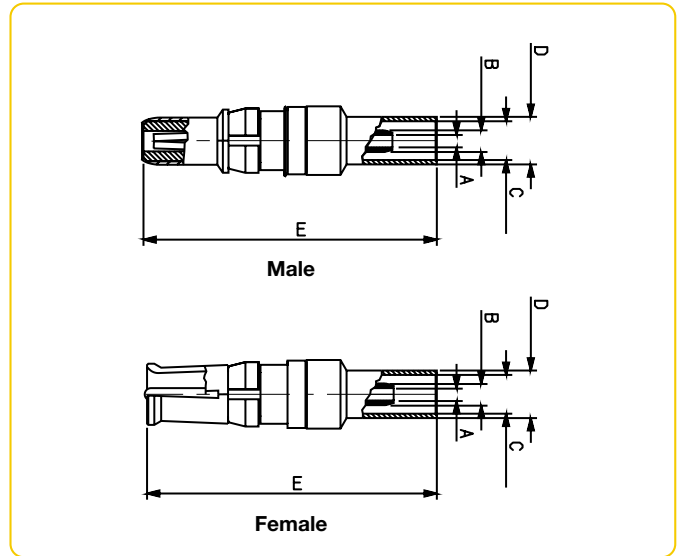
Dielectric with standing voltage	: 2800 V.r.m.s
Break down voltage	: 3200 V.r.m.s
Insulation resistance	: $10^6$ M $\Omega$
Contact resistance	: $\leq 5$ m $\Omega$
Max current rating	: 5A
Material	: TEFLON

## MECHANICAL CHARACTERISTICS

Mating force per set of contact	: 3N
Mating endurance	: 200
Temperature	: -55° C to +125° C

## COAXIAL CONTACTS

### ■ Straight



### ■ Angled

