

Modular Switching Power Supply Type SPM 1 DIN rail mounting

CARLO GAVAZZI



- Single DIN module
- Universal input 90/264VAC – 120/370VDC
- High efficiency up to 80%
- Short circuit protection
- Overload protection
- Internal input filter
- LOW voltage LED indicator
- UL Class 2 Output

Product Description

SPM Modular switching power supplies are specifically designed in order to satisfy both the Automation and the Building automation application requirements. The single DIN module PS is capable of up to 10W of output power. Its high efficiency prevents excess of heat in the installation place.

Ordering Key

SPM 1 - 24 1

Series _____
 Number of DIN modules _____
 Output Voltage _____
 Phases (only single phase) _____

Approvals



Output Performances

Model	Input Voltage VAC	Output Power (W)	Output Voltage VDC	Current (A)	Typical Efficiency
SPM1-051	90~264	7.5	5	1.50	74%
SPM1-121	90~264	10	12	0.83	78%
SPM1-151	90~264	10	15	0.67	78%
SPM1-241	90~264	10	24	0.42	80%

Output Data

Line regulation	±1% max.		DC LOW indicator	Min.	Max.
Load regulation	±1%		5V	3.5VDC	4.5VDC
Output Voltage accuracy	±1%		12V	9VDC	10.8VDC
Ripple and Noise	50mV		15V	11VDC	13.5VDC
Temperature Coefficient	±0.03%/°C (±0.0112%/°F)		24V	19.2VDC	21.6VDC
Hold up time	Vi = 115VAC	5V and 12V: 10ms 15V and 24V: 60ms	Voltage rise time	150ms	
	Vi = 230VAC	30ms	Vi nom, Io nom	500ms	
Minimum load	0%		Vi nom, Io nom with 3500µF CAP	150ms	
DC ON indicator	Min.	Max.	Voltage fall time (I _o nom, Vi nom)	3500µF	
5V	3.5VDC	4.5VDC	Capacitor Load	3500µF	
12V	9VDC	10.8VDC	Transient recovery time	2ms	
15V	11VDC	13.5VDC	(50% load step changed)		
24V	19.2VDC	21.6VDC	Turn on time (full resistive load)	1000ms	
			Vi nom, Io nom	1500ms	
			Vi nom, Io nom with 3500µF		

Input Data

Voltage range AC in DC in	90 - 264 VAC 120 - 375 VDC	Power dissipation (Vi : 230VAC, Io nom)	5V Model	2.3W
Line frequency	47 - 63Hz		12V Model	2.3W
Inrush current Vi= 115VAC Vi= 230VAC	Typ: 10A Max: 15A Typ: 20A Max: 30A		15V Model	2.3W
Rated input current Vi: 115/230 VAC, Io nom Vi: 90 VAC Io nom	200mA / 135 mA 300mA		24V Model	2.3W
		Leakage current		<0.25mA
		Input-Output		
		Rated input voltage		100/240VAC

Controls and Protections

Input Fuse	T1A/250VAC internal*	Over voltage protection	VDC	
Output Short Circuit	Fold forward		Min.	Max.
Rated Overload Protection	110-165%		5V Model	5.75
		12V Model	15	16.5
		15V Model	18	20
		24V Model	30	33

* Fuse not replaceable by user

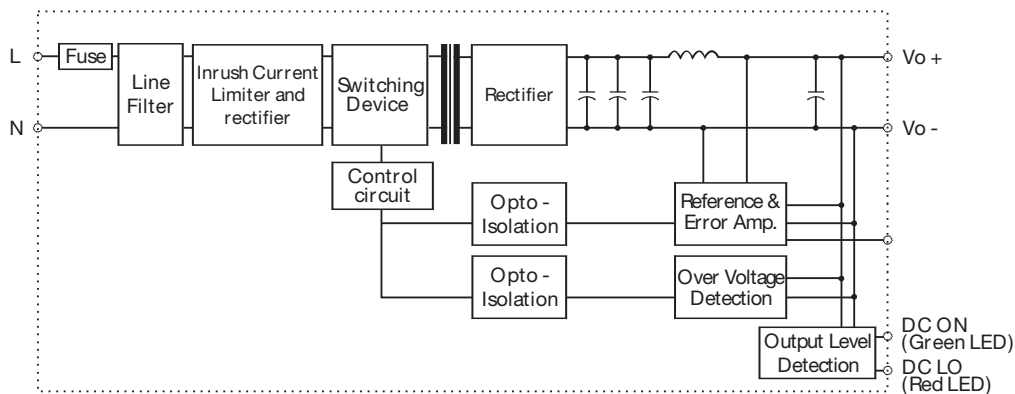
General Data (@ nominal line, full load, 25°C)

Insulation voltage	3.000VAC	Case material	Plastic (PC-UL94-V0)
Insulation resistance	100MΩ	Weight	65g
Ambient temperature	-40°C to +71°C	Protection degree	IP20
Derating (>61°C to +71°C)	2.5%/°C (1.4%/°F)	Altitude IEC 60068-2-13	4850m
Ambient humidity	20-95%RH	MTBF (Bellcore issue 6 @ 40°C, GB)	
Storage temperature	-40°C to +85°C	5V Model	970000 Hours
Dimensions L x W x D mm	91 x 18 x 56.5	12V Model	884000 Hours
L x W x D inches	3.582 x 0.709 x 2.22	15V Model	948000 Hours
Cooling	Free air convection	24V Model	868000 Hours

Norms and Standards

Vibration resistance	meet IEC 60068-2-6 (Mounting by rail: 10-500 Hz, 2G, along X, Y, Z each Axis, 60 min for each Axis)	CE	EN61000-6-3, EN55022 class B, EN61000-3-2, EN61000-3-3, EN61000-6-2, EN55024, EN61000-4-2 Level 3, EN61000-4-3 Level3, EN61000-4-4 Level 4, EN61000-4-5, L-N Level 3 EN61000-4-6 Level 3, EN61000-4-8 Level 4, EN61000-4-11, ENV 50204 Level2, EN 61204-3
Shock resistance	meet IEC 60068-2-27 (15G, 11ms, 3 Axis, 6 faces, 3 times for each Face)		
UL / cUL	file: E258355 file: E258395 file: E258396 UL508 listed, UL1310 Class 2 power supply, UL60950-1 Recognized ISA 12.12.01 (Class1, Division2, GroupsA, B, C and D)		
TUV	EN60950-1 CB scheme		

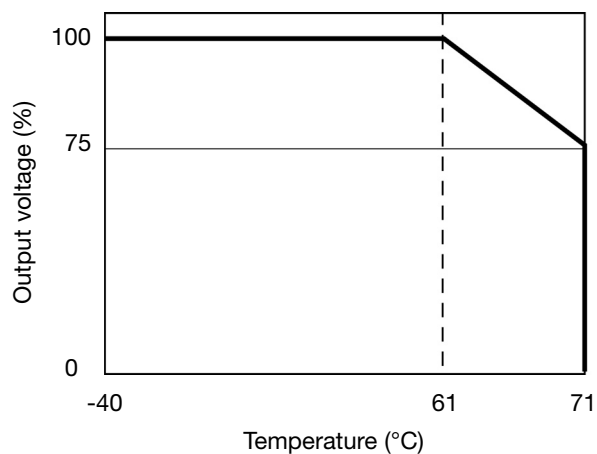
Block Diagrams



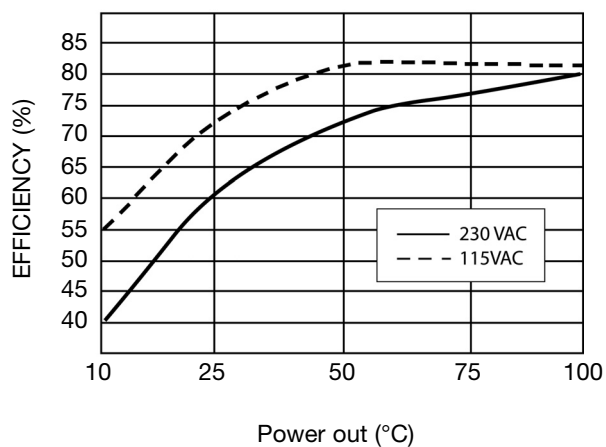
Pin Assignment and Front Controls

Pin No.	Designation	Description
1	-	Negative output terminal
2	+	Positive output terminal
3	L	Input terminals (phase conductor, no polarity at DC input)
4	N	Input terminals (neutral conductor, no polarity at DC input)
	DC ON	Operation indicator LED
	DC LO	DC Low indicator LED

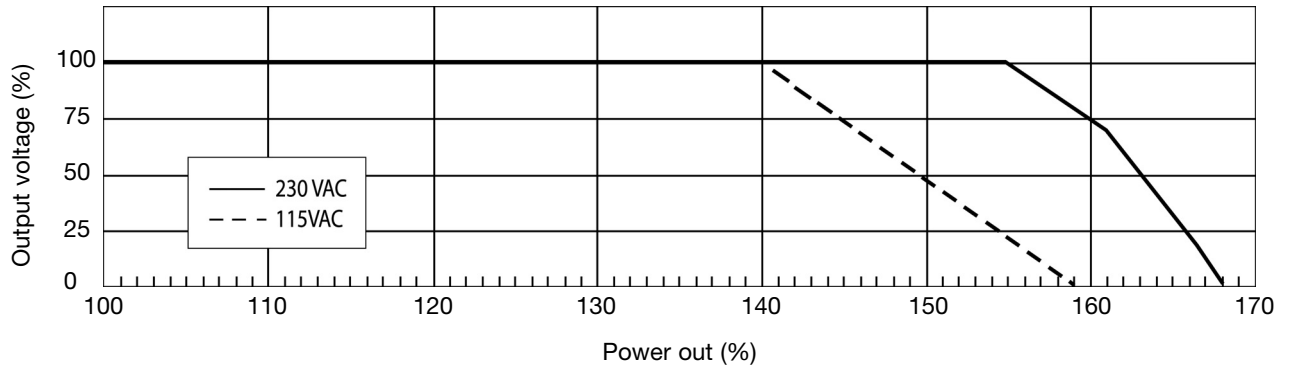
Derating Diagram



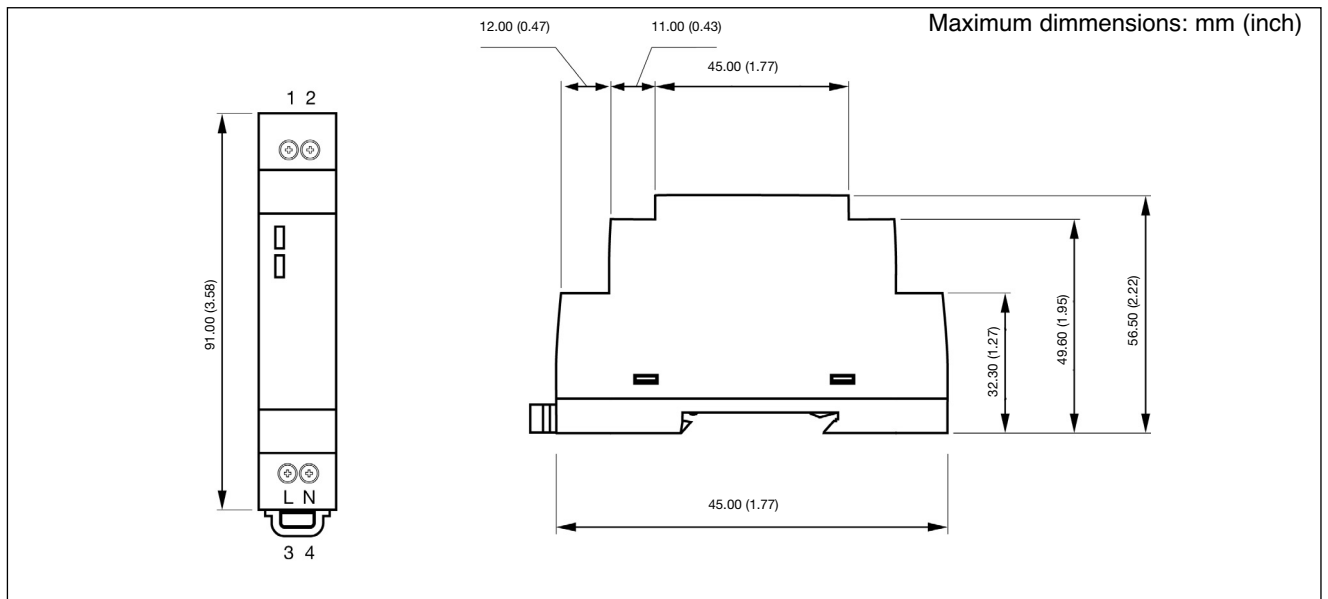
Typ. Efficiency Curve



Typ. Current Limited Curve



Mechanical Drawings (mm)



Construction

Easy snap-on mounting onto the DIN-Rail (TS35/7.5 or TS35/15), unit sits safely and firmly on the rail; no tools required even to remove.

Installation

Ventilation and cooling	Normal convection All sides 25mm free space for cooling is recommended
Screw terminals	26-12AWG flexible or solid cable (user copper conductors only)
Max. torque for terminals	
Input terminals	0.56Nm (5.0lb-in)
Output terminals	0.56Nm (5.0lb-in)