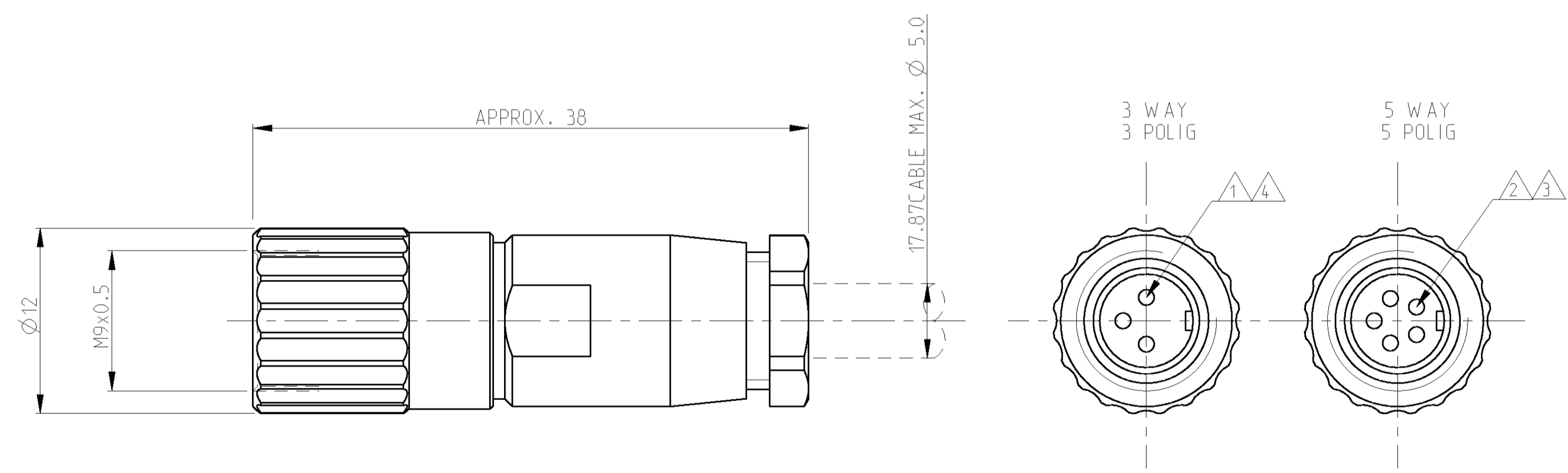
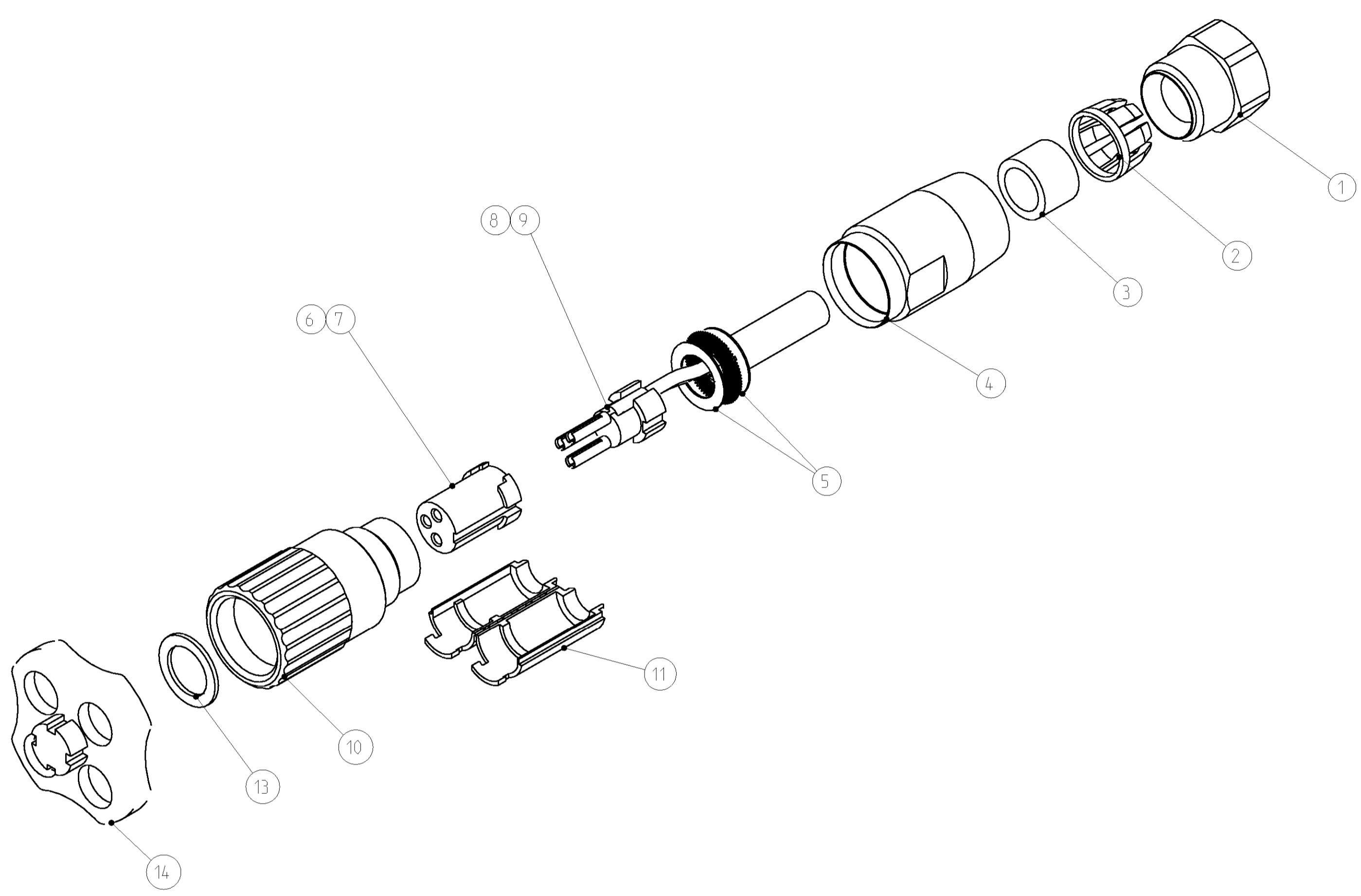


| LOC | DIST | P | LTR | REVISIONS | DATE | DWN | APPR |
|--------------|------|----|---------------|--------------|-----------|-----|------|
| A1 | | | | DESCRIPTION | | | |
| | | | | BESCHREIBUNG | | | |
| PROJECT NO.: | | A1 | EG00-0576-01 | | 18JUN2001 | NG | GF |
| EGLPE01017 | | A2 | NOTES CHANGED | | 10SEP2002 | NG | GF |

| | |
|---|----|
| MATERIAL / MATERIAL: PBT, UL-94 V2 SHELL MATERIAL / GEHAUSEMATERIAL: BRASS/MESSING FINISH / BESCHICHTUNG: TRIBOR 4 µm | △5 |
| WIRE GAGE / DRAHTGROSSE IN mm ² : 0.5 | △4 |
| WIRE GAGE / DRAHTGROSSE IN mm ² : 0.14 OR 0.25 | △3 |
| CRIMP CONTACT / CRIMP KONTAKT: SEE PN 5-1437720-7 | △2 |
| CRIMP CONTACT / CRIMP KONTAKT: SEE PN 5-1437720-6 | △1 |
| SHELL PROTECTION CLASS / SCHUTZKLASSE: IP 65 / DIN 40050 | |
| TEST VOLTAGE / PRUEFSPANNUNG: 500 VAC | |
| OPERATING VOLTAGE / BETRIEBSSPANNUNG: 60 VAC | |
| OPERATING TEMPERATURE: -40°C TO +80°C / ARBEITSTEMPERATUR: -40°C BIS +80°C | |
| MATING CYCLES / STECKZYKLEN: 500 MAX. | |
| TECHNICAL DATA TECHNISCHE DATEN | |



△ CONTACTS OF TYPE TYCO-PN: 5-1437720-6/T01-0540-S03 MUST BE ORDERED SEPARATELY
KONTAKTE DES TYPUS TYCO-PN: 5-1437720-6/T01-0540-S03 MUESSEN SEPARAT BESTELT WERDEN

△ CONTACTS OF TYPE TYCO-PN: 5-1437720-7/T01-0540-S05 MUST BE ORDERED SEPARATELY
KONTAKTE DES TYPUS TYCO-PN: 5-1437720-7/T01-0540-S05 MUESSEN SEPARAT BESTELT WERDEN

| TYCO-NO. / TYCO NR. | QTY REQD PER ASSY | DESCRIPTION / BESCHREIBUNG | ITEM-NO. TEIL-NR. |
|---------------------|-------------------|--|----------------------|
| 1-1437719-4 | 1 | MOUNTING WRENCH / MONTAGESCHLUESSEL | 14 |
| 1-1437719-3 | 1 | SEALING PAD / GUMMIDICHTUNG | 13 |
| | 1 | MOUNTING INSTRUCTION / MONTAGEANLEITUNG | 12 |
| | 1 | INSULATION TUBE / ISOLIERHUELSE | 11 |
| | 1 | SCREWING TUBE / SCHRAUBHUELSE | 10 |
| | 1 | CONTACT HOLDER 5 WAY / STIFTHALTER 5 POLIG | 9 |
| | 1 | CONTACT HOLDER 3 WAY / STIFTHALTER 3 POLIG | 8 |
| | 1 | CONTACT CARRIER 5 WAY / STIFTTRAEGER 5 POLIG | 7 |
| | 1 | CONTACT CARRIER 3 WAY / STIFTTRAEGER 3 POLIG | 6 |
| | 2 | GROUNDING PLATE FOR 360°SHIELDING CONNECTION/ MASSESCHEIBE FUER 360°ABSCHIRMUNG | 5 |
| | 1 | HOUSING / GEHAUSE | 4 |
| | 1 | CABLE SEALING / KABELDICHTUNG | 3 |
| | 1 | STRAIN RELIEF / ZUGENTLASTUNGSKRONE | 2 |
| | 1 | STRAIN RELIEF NUT / ZUGENTLASTUNGSMUTTER | 1 |
| | - | REVISION OF EACH ASSY NO. (WHEN BLANK, USE DWG REV.) | |
| T01-0540-S05 | T01-0540-S03 | DESCRIPTION / BESCHREIBUNG | ITEM-NO. TEIL-NR. |
| | | PARTS LIST / TEILE LISTE | |

| | | | | | | | | | | | | | | | | | | | | | | | | | | | |
|--|--|---------------------|----------------------------------|-------------|-------------|-------|-------------|-------|------|----------|-------------|--|--------|--|-----------|-------------|-------------|-------------|-------------|-------|-------------|----------|-------------|----------|-------------|-------|--------|
| △ 1-1437719-4 | 100 PLUG CONNECTORS / STECKVERBINDER COMPONENT PARTS PACKAGED PER 100 | TYCO-NO. / TYCO-NR. | ORDER QUANTITY / BESTELLMENGE | | | | | | | | | | | | | | | | | | | | | | | | |
| △ 1-1437719-3 | 100 PLUG CONNECTOR / STECKVERBINDER COMPONENT PARTS PACKAGED PER 100 | | | | | | | | | | | | | | | | | | | | | | | | | | |
| <table border="1"> <tr> <td>0 PLC</td> <td>±0.3</td> </tr> <tr> <td>1 PLC</td> <td>±0.2</td> </tr> <tr> <td>2 PLC</td> <td>±0.1</td> </tr> <tr> <td>3 PLC</td> <td>±0.1</td> </tr> <tr> <td>4 PLC</td> <td>±0.1</td> </tr> </table> | | 0 PLC | ±0.3 | 1 PLC | ±0.2 | 2 PLC | ±0.1 | 3 PLC | ±0.1 | 4 PLC | ±0.1 | <table border="1"> <tr> <td>DATE</td> <td>18JUN2001</td> <td>DRAWING NO.</td> <td>1-1437719-3</td> </tr> <tr> <td>BY</td> <td>H.SCHNEIDER</td> <td>SCALE</td> <td>1:1</td> </tr> <tr> <td>APPROVED</td> <td>H.SCHNEIDER</td> <td>SHEET</td> <td>1 OF 1</td> </tr> </table> | | DATE | 18JUN2001 | DRAWING NO. | 1-1437719-3 | BY | H.SCHNEIDER | SCALE | 1:1 | APPROVED | H.SCHNEIDER | SHEET | 1 OF 1 | | |
| 0 PLC | ±0.3 | | | | | | | | | | | | | | | | | | | | | | | | | | |
| 1 PLC | ±0.2 | | | | | | | | | | | | | | | | | | | | | | | | | | |
| 2 PLC | ±0.1 | | | | | | | | | | | | | | | | | | | | | | | | | | |
| 3 PLC | ±0.1 | | | | | | | | | | | | | | | | | | | | | | | | | | |
| 4 PLC | ±0.1 | | | | | | | | | | | | | | | | | | | | | | | | | | |
| DATE | 18JUN2001 | DRAWING NO. | 1-1437719-3 | | | | | | | | | | | | | | | | | | | | | | | | |
| BY | H.SCHNEIDER | SCALE | 1:1 | | | | | | | | | | | | | | | | | | | | | | | | |
| APPROVED | H.SCHNEIDER | SHEET | 1 OF 1 | | | | | | | | | | | | | | | | | | | | | | | | |
| <table border="1"> <tr> <td>DATE</td> <td>18JUN2001</td> <td>DRAWING NO.</td> <td>1-1437719-3</td> </tr> <tr> <td>BY</td> <td>H.SCHNEIDER</td> <td>SCALE</td> <td>1:1</td> </tr> <tr> <td>APPROVED</td> <td>H.SCHNEIDER</td> <td>SHEET</td> <td>1 OF 1</td> </tr> </table> | | DATE | 18JUN2001 | DRAWING NO. | 1-1437719-3 | BY | H.SCHNEIDER | SCALE | 1:1 | APPROVED | H.SCHNEIDER | SHEET | 1 OF 1 | <table border="1"> <tr> <td>DATE</td> <td>18JUN2001</td> <td>DRAWING NO.</td> <td>1-1437719-3</td> </tr> <tr> <td>BY</td> <td>H.SCHNEIDER</td> <td>SCALE</td> <td>1:1</td> </tr> <tr> <td>APPROVED</td> <td>H.SCHNEIDER</td> <td>SHEET</td> <td>1 OF 1</td> </tr> </table> | | DATE | 18JUN2001 | DRAWING NO. | 1-1437719-3 | BY | H.SCHNEIDER | SCALE | 1:1 | APPROVED | H.SCHNEIDER | SHEET | 1 OF 1 |
| DATE | 18JUN2001 | DRAWING NO. | 1-1437719-3 | | | | | | | | | | | | | | | | | | | | | | | | |
| BY | H.SCHNEIDER | SCALE | 1:1 | | | | | | | | | | | | | | | | | | | | | | | | |
| APPROVED | H.SCHNEIDER | SHEET | 1 OF 1 | | | | | | | | | | | | | | | | | | | | | | | | |
| DATE | 18JUN2001 | DRAWING NO. | 1-1437719-3 | | | | | | | | | | | | | | | | | | | | | | | | |
| BY | H.SCHNEIDER | SCALE | 1:1 | | | | | | | | | | | | | | | | | | | | | | | | |
| APPROVED | H.SCHNEIDER | SHEET | 1 OF 1 | | | | | | | | | | | | | | | | | | | | | | | | |
| <table border="1"> <tr> <td>DATE</td> <td>18JUN2001</td> <td>DRAWING NO.</td> <td>1-1437719-3</td> </tr> <tr> <td>BY</td> <td>H.SCHNEIDER</td> <td>SCALE</td> <td>1:1</td> </tr> <tr> <td>APPROVED</td> <td>H.SCHNEIDER</td> <td>SHEET</td> <td>1 OF 1</td> </tr> </table> | | DATE | 18JUN2001 | DRAWING NO. | 1-1437719-3 | BY | H.SCHNEIDER | SCALE | 1:1 | APPROVED | H.SCHNEIDER | SHEET | 1 OF 1 | <table border="1"> <tr> <td>DATE</td> <td>18JUN2001</td> <td>DRAWING NO.</td> <td>1-1437719-3</td> </tr> <tr> <td>BY</td> <td>H.SCHNEIDER</td> <td>SCALE</td> <td>1:1</td> </tr> <tr> <td>APPROVED</td> <td>H.SCHNEIDER</td> <td>SHEET</td> <td>1 OF 1</td> </tr> </table> | | DATE | 18JUN2001 | DRAWING NO. | 1-1437719-3 | BY | H.SCHNEIDER | SCALE | 1:1 | APPROVED | H.SCHNEIDER | SHEET | 1 OF 1 |
| DATE | 18JUN2001 | DRAWING NO. | 1-1437719-3 | | | | | | | | | | | | | | | | | | | | | | | | |
| BY | H.SCHNEIDER | SCALE | 1:1 | | | | | | | | | | | | | | | | | | | | | | | | |
| APPROVED | H.SCHNEIDER | SHEET | 1 OF 1 | | | | | | | | | | | | | | | | | | | | | | | | |
| DATE | 18JUN2001 | DRAWING NO. | 1-1437719-3 | | | | | | | | | | | | | | | | | | | | | | | | |
| BY | H.SCHNEIDER | SCALE | 1:1 | | | | | | | | | | | | | | | | | | | | | | | | |
| APPROVED | H.SCHNEIDER | SHEET | 1 OF 1 | | | | | | | | | | | | | | | | | | | | | | | | |