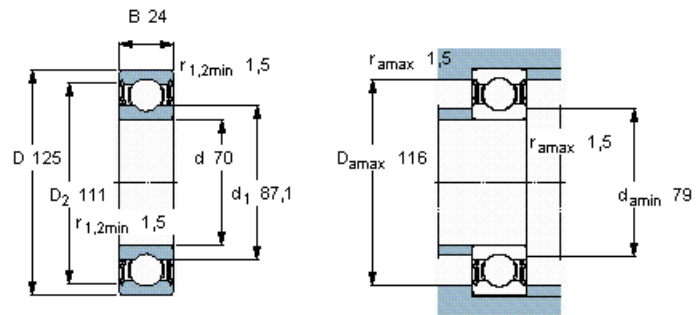


## Deep groove ball bearings, single row



Principal dimensions			Basic load ratings		Fatigue load limit $P_u$	Speed ratings		Mass	Designation
d	D	B	dynamic	static		Reference speed	Limiting speed		
mm			kN	$C_0$	kN	r/min		kg	* - SKF Explorer bearing
70	125	24	63,7	45	1,9	-	3400	1,10	6214-2RS1 *



### Calculation factors

$k_r$  0,025

$f_0$  15