



ENGLISH

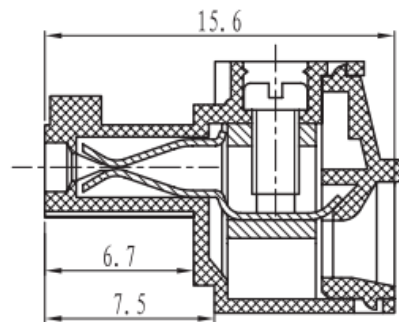
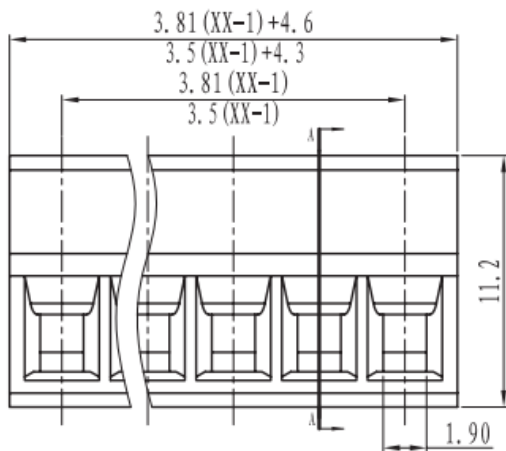
Datasheet

New 3.5mm Plug 8A 10 way

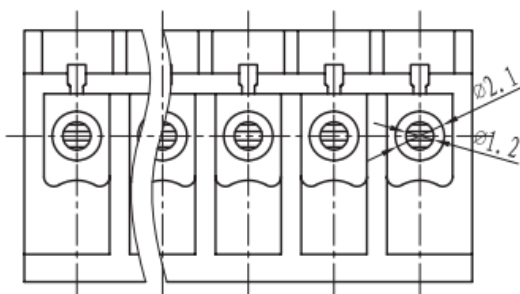
RS Stock 874-5051



Dimensions: (mm)



SECTION A-A





Specifications

Electrical

Standard: UL IEC
 Rated voltage: 300V 250V
 Rated current: 8A 10A
 Contact resistance: 20mΩ
 Wire range: 28-16AWG 1.5mm²
 Withstanding voltage: AC2000V/1Min
 Insulation resistance: 500MΩ/DC500V

Mechanical

Temp.Range: -40° C~+105° C
 Torque: 0.2Nm(1.71lb`in)
 Strip length: 6-7mm

Dimensions

Pitch: 3.81mm/3.5mm
 Poles: 2P-24P

Material

Housing: PA66,UL94V-0
 Screws: M2, steel Zinc plated
 Wire guard: Brass,Ni plated
 Clamp: Phosphor bronze,Ni plated

Tolerances Except As Noted

	linear dimension					fillet	chamfer		∠ short angle sid	≡	—	□	//	⊥			
variable range	over 6	over 30	over 120	over 480			over 6		over 10	over 50	over 120			over 5	over 30	over 120	
	to 6	to 30	to 120	to 480	all	to 6	to 10	to 50	to 120	all	to 5	to 30	to 120	to 5	to 30	to 120	
tolerance	± 0.1	± 0.2	± 0.3	± 0.5	± 0.9	± 0.2	± 0.5	± 1	1°	30'	20'	10'	0.5	0.025	0.06	0.12	0.4